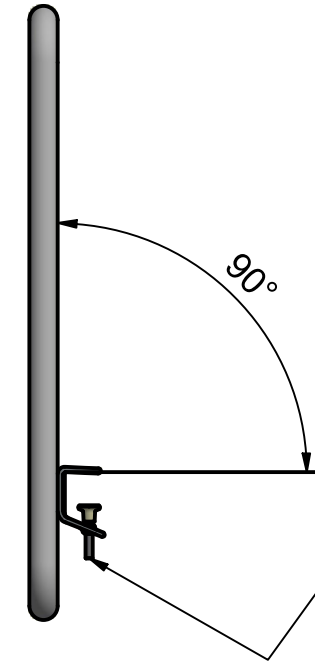


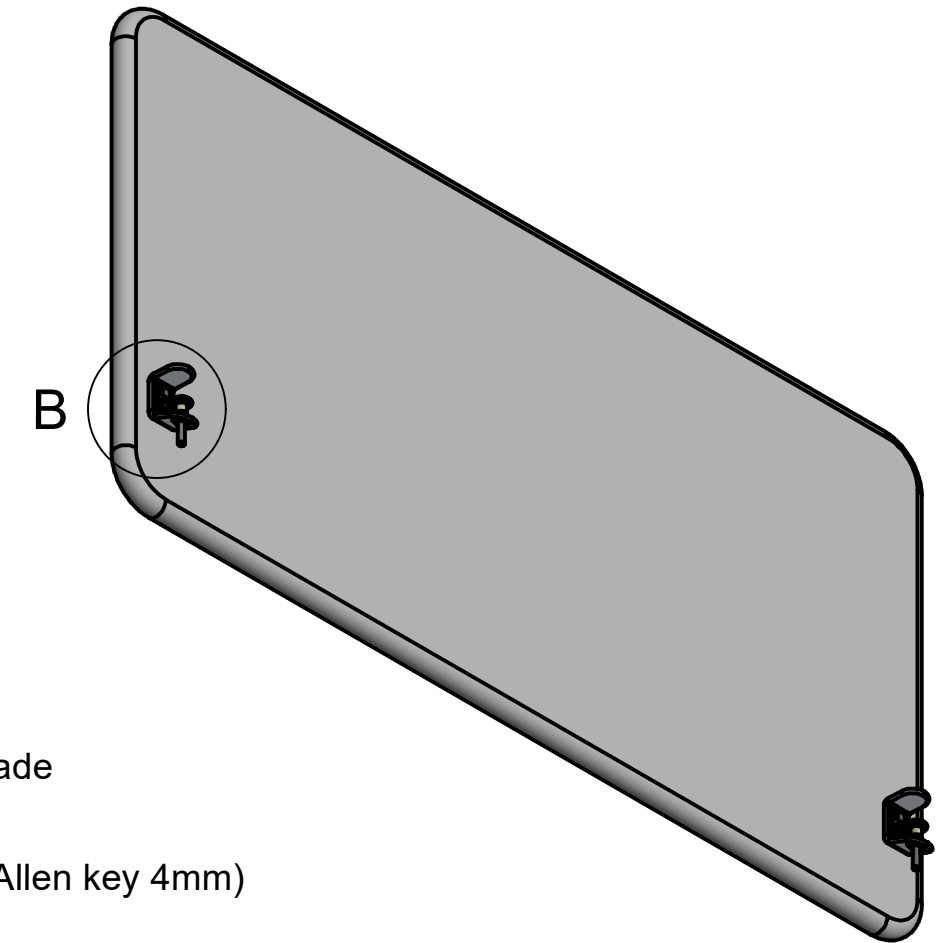
abstracta  
 Fittings for Softline/Soneo/Stitch table screen.  
 Article no 180680XX.

Monteringsanvisning  
 Montageanweisung  
 Mounting instruction



Max thickness of table top  $t=45\text{mm}$

Tighten screw until the angle is 90 degrees.  
 The torque is approx 1Nm.



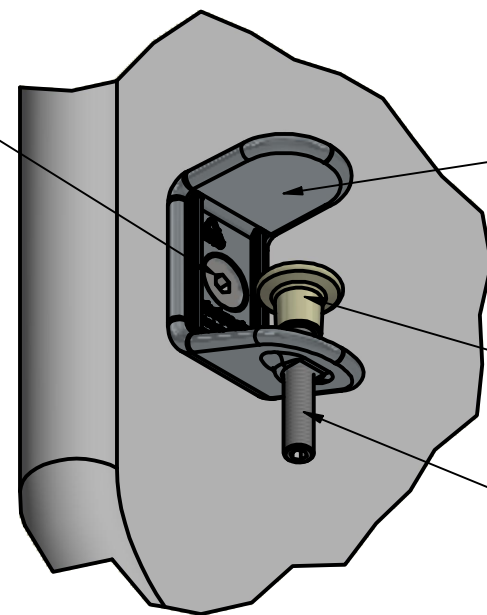
\*  
 Screw M8

\*  
 Screen  $t=30\text{mm}$   
 57005105 Screw MF6S M8x35 (Allen key 4mm)

Screen  $t=40\text{mm}$   
 57005107 Screw MF6S M8x45 (Allen key 4mm)

Screen  $t=50\text{mm}$   
 57005108 Screw MF6S M8x55 (Allen key 4mm)

57400304 Allen key 4mm is included in the kit.



Fitting  
 18068060 Grey  
 18068080 Black  
 18068090 White

54343810 End cap M8  
 Remove the end cap when a facade  
 table edge is included.

57005106 Screw SS6S M8x55 (Allen key 4mm)

B ( 1 : 2 )