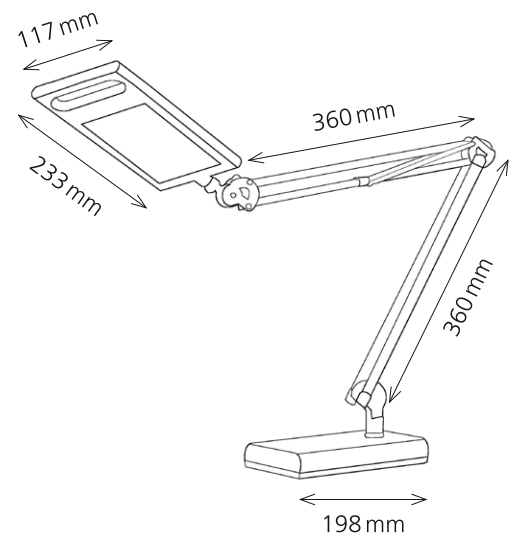


LED 4 Work

- The high-quality LED lamp likes to come closer and to stretch its lamp head in every direction
- The double arm made of aluminium allows the lamp to reach even the farthest corners of the table
- The anti-glare shade ensures an even distribution of light on the working desk
- Supplied with base and clamp



Technical data

Power:	9.5 W
Weighted energy consumption:	10 kWh / 1000 h
Voltage:	100–240 V AC, 50–60 Hz
Luminous flux:	750 Lumen
Luminous efficacy:	90 Lumen / Watt
Colour temperature:	6000 Kelvin (neutral white)
Maximum illuminance:	1000 Lux (measuring distance 40 cm)
Colour rendering index (CRI):	85
Life time:	25 000 hours
Extension:	max. 700 mm
Height:	max. 720 mm
Head of lamp:	233 mm x 117 mm (L x W)
Base:	198 mm x 120 mm (L x W)
Clamp:	opening 5–45 mm
Cable length:	1.80 m
Net weight:	3.90 kg
Material:	aluminium, ABS
Packaging:	4-coloured sales packaging
Light source:	energy efficiency class: D model identification: 4work00000633

Item number: 41-5010.633 anthracite

Interchangeability

The lighting source cannot be replaced. The construction of the luminaire does not allow the lighting source to be replaced, as there is a risk of damaging the luminaire.

styro ag
Frauholzstrasse 27
CH-6422 Steinen
www.styro.ch