

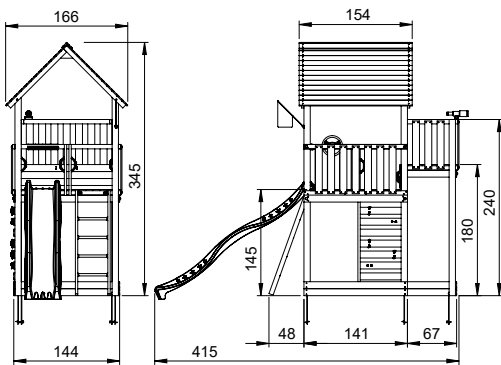
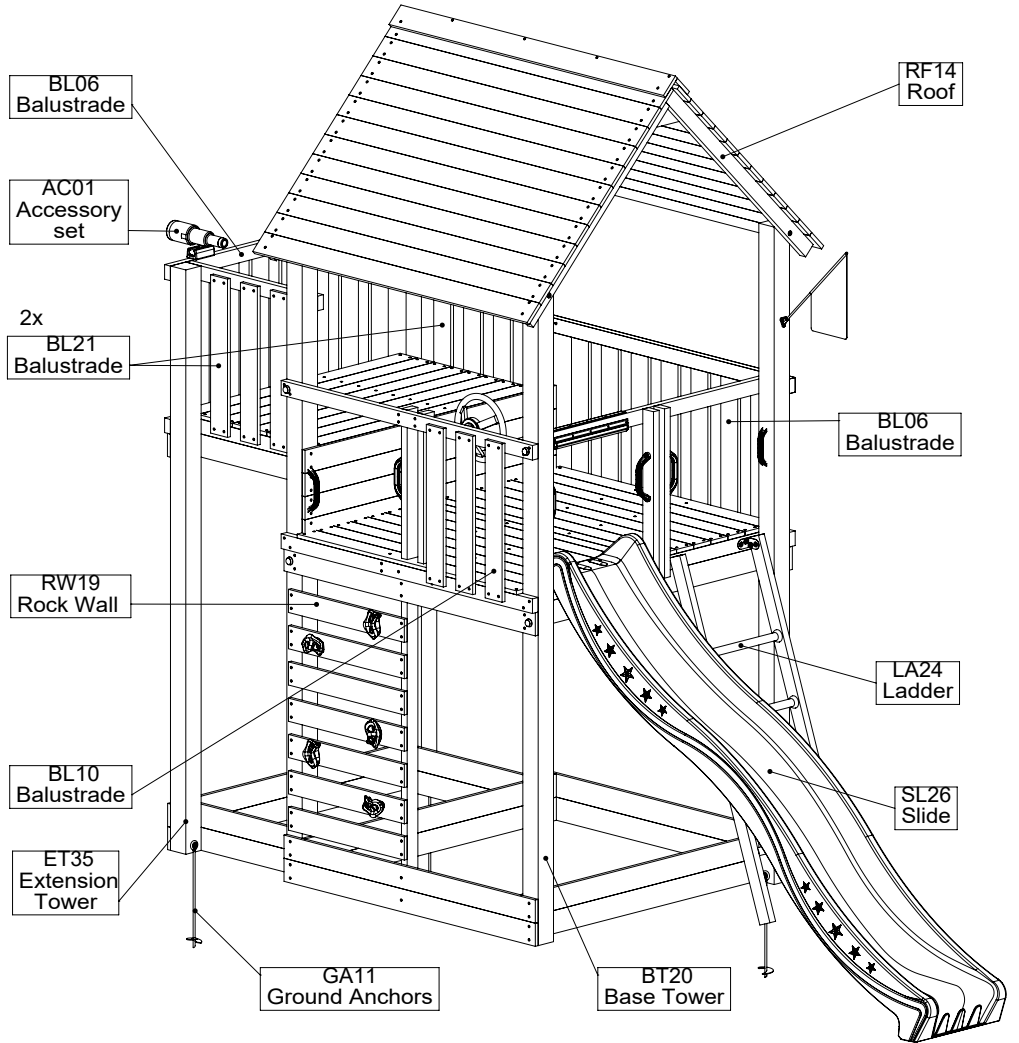
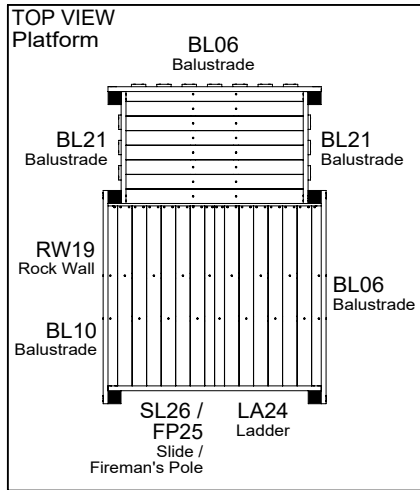
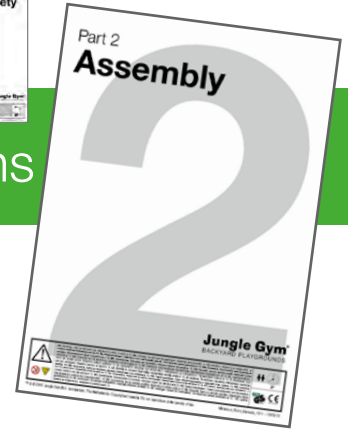
Part 2

Assembly

Instructions

Jungle Palace 2.1

801_005



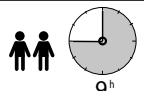
Jungle Gym

BACKYARD PLAYGROUNDS

since 1988

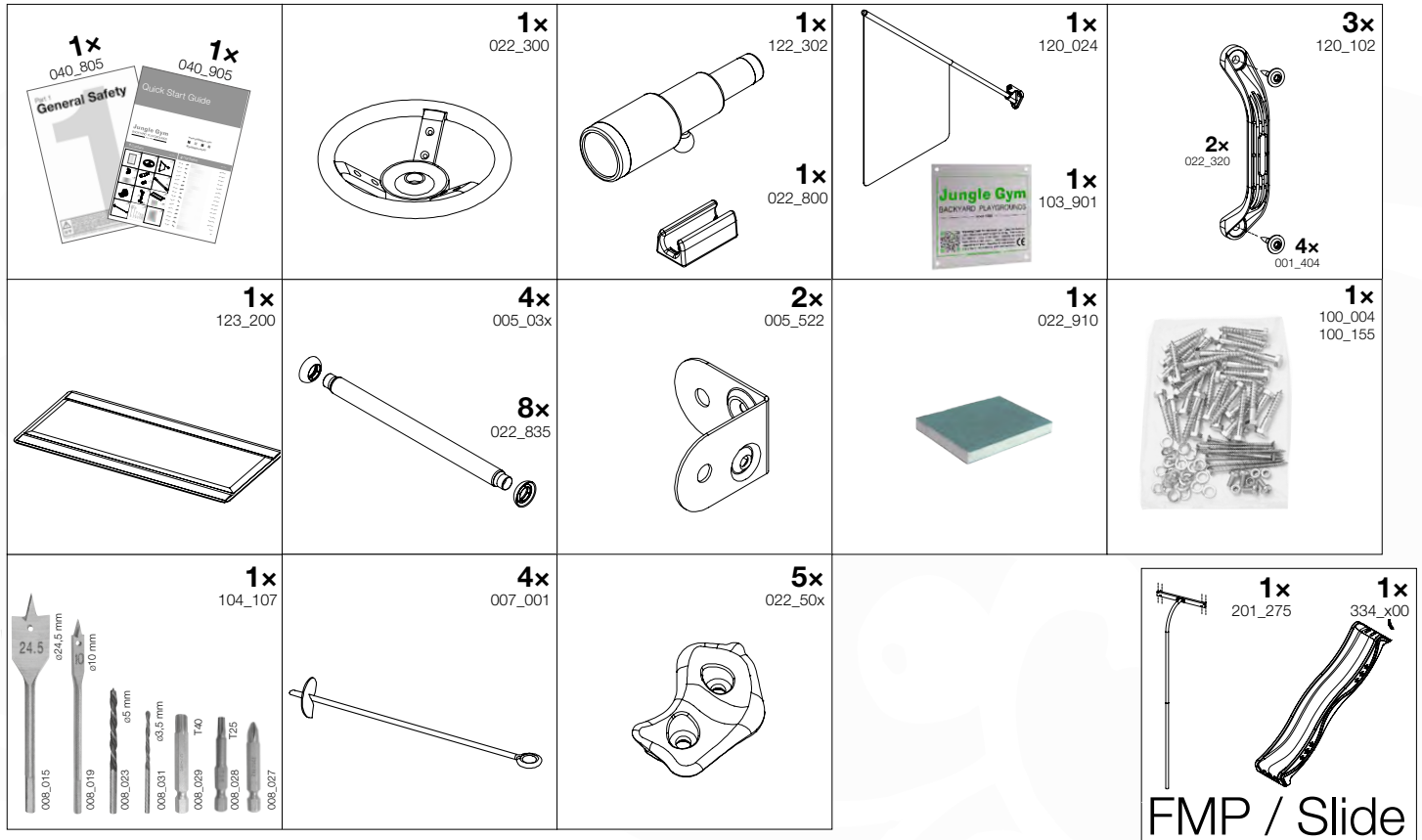


EN. Warnings. Only for domestic use. Maximum number of users is 9. **DE.** Achtung. Nur für den Hausgebrauch. Maximale Benutzerzahl: 9. **FR.** Attention. Réserve à un usage familial. Le nombre maximal d'utilisateurs est de 9. **NL.** Waarschuwingen. Uitsluitend voor huishoudelijk gebruik. Het maximale aantal gebruikers is 9. **BG.** Внимание. За употреба само в домашни условия. Максималният брой потребители е 9. **CS.** Varování. Jen pro domácí použití. Maximální počet uživatelů je 9. **DA.** Advarsler. Kun til privat brug. Maksimum antal brugere er 9. **EL.** Προειδοποιήσεις. Μόνο για οικιακή χρήση. Μέγιστος αριθμός χρηστών 9. **ES.** Advertencias. Sólo para uso doméstico. Número máximo de usuarios: 9. **ET.** Hoiatused. Ainult koduseks kasutamiseks. Maksimaalne kasutajate arv on 9. **FI.** Varoitukset. Ainoastaan kotikäyttöön. Käyttäjää yhteensä enintään 9. **HR.** Upozorenja. Samo za kućansku uporabu. Maksimalan broj korisnika je 9. **HU.** Figyelmeztetések. Csak otthoni használatra! A használók max. száma: 9. **IS.** Varnaðarorð. Engingngu fyrir einkanoðkun í heimahúsum og á einkalóðum. Hámarksfjöldi notenda er 9. **IT.** Avvertenze. Solo per uso domestico. Massimo numero di utenti è 9. **LT.** Įspėjimai. Tik buitiniam naudojimui. Maksimalus naudotojų skaičius 9. **LV.** Brīdinājumi. Izmantot tikai mājās. Maksimālais lietotāju skaits ir 9. **NO.** Advarsler. Kun for privat bruk. Maksimalt antall brukere er 9. **PL.** Ostrzeżenia. Wyłącznie do użytku domowego. Maksymalna liczba użytkowników to 9. **PT.** Avisos. Apenas para uso doméstico. O número máximo de utilizadores é 9. **RO.** Avertismente. Numai pentru uz domestic. Numărul maxim de utilizatori este 9. **RU.** Предостережения. Только для домашнего использования. Максимальное количество пользователей - 9. **SK.** Upozornenia. Iba na domáce použitie. Maximálne množstvo osôb je 9. **SL.** Opozorila. Samo za domačo uporabo. Maksimalno število uporabnikov je 9. **SR.** Upozorenja. Samo za kućnu upotrebu. Maksimalan broj korisnika je 9. **SV.** Varningar. Endast för hemmabruk. Det maximala antalet användare är 9. **TR.** Uyarılar. Sadece ev kullanımı için. Maksimum kullanıcı sayısı 9.



01 What's in the Delivery?






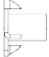





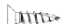


401_015



02 Hardware

Total HWP 100_004 + 100_155 Jungle Palace 2.1

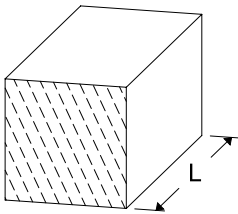
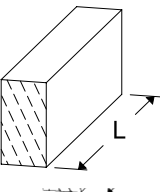
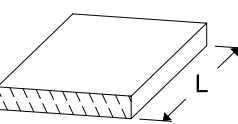
20220331

| | | | | | | | |
|---------|-------------|---|-------------|---------|------------|--|-----------|
| 001_102 | 10x |  | M8 x 30mm | 000_101 | 10x |  | ø2 x 20mm |
| 001_417 | 12x |  | ø8 x 80mm | 003_010 | 10x |  | M8x14.2mm |
| 001_406 | 13x |  | ø8 x 45mm | 004_050 | 10x |  | M8 x 22mm |
| 001_404 | 4x |  | ø8 x 30mm | 120_005 | 16x |  | M8 |
| 002_223 | 98x |  | ø5 x 80mm | | | | |
| 002_220 | 521x |  | ø5 x 45mm | | | | |
| 002_219 | 6x |  | ø5 x 30mm | | | | |
| 002_308 | 2x |  | ø5.0 x 20mm | | | | |
| 002_041 | 3x |  | ø4.5 x 20mm | | | | |
| 002_042 | 4x |  | ø3.5 x 13mm | | | | |

03 Timber

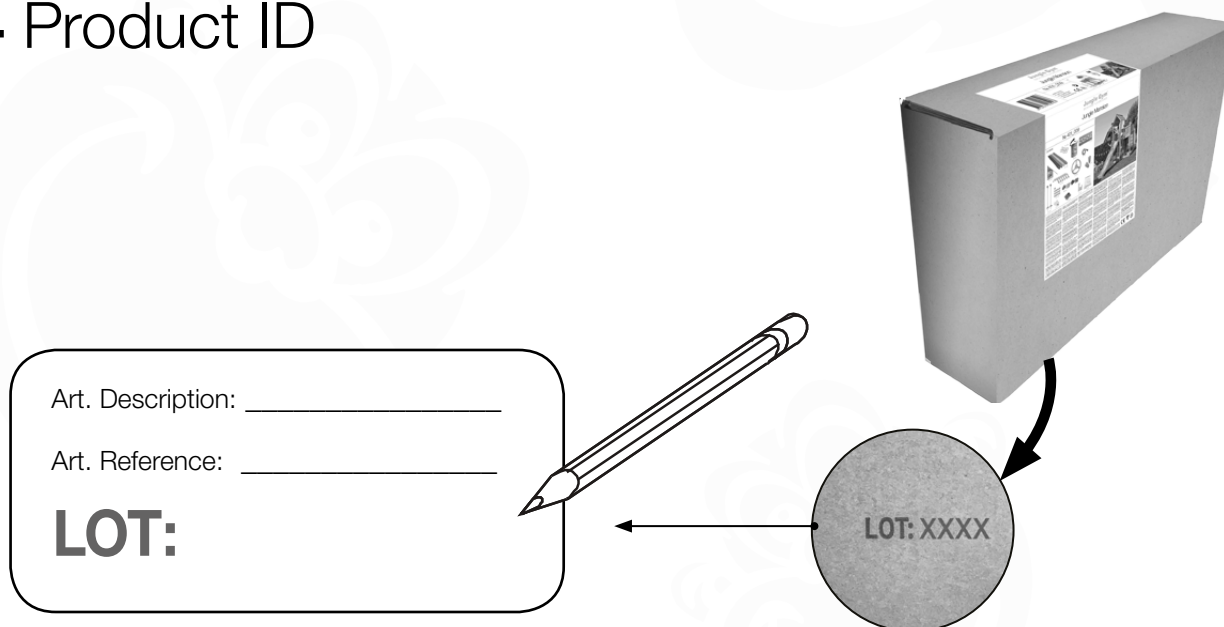
601_006 Timber pack Jungle Palace 2.1

L

| | | | |
|---|------|---------------|------------|
| B  | B270 | 269cm - 270cm | 4x |
| | B240 | 239cm - 240cm | 2x |
| C  | C206 | 205cm - 206cm | 1x |
| | C150 | 149cm - 150cm | 2x |
| | C141 | 140cm - 141cm | 11x |
| | C114 | 113cm - 114cm | 2x |
| | C108 | 107cm - 108cm | 2x |
| | C74 | 73cm - 74cm | 6x |
| | C70 | 69cm - 70cm | 3x |
| D  | D154 | 153cm - 154cm | 28x |
| | D141 | 140cm - 141cm | 19x |
| | D123 | 122cm - 123cm | 26x |
| | D74 | 73cm - 74cm | 6x |
| | D65 | 64cm - 65cm | 33x |

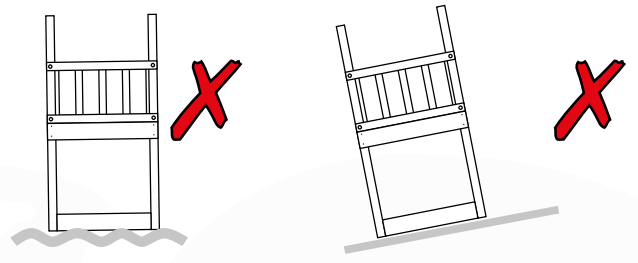
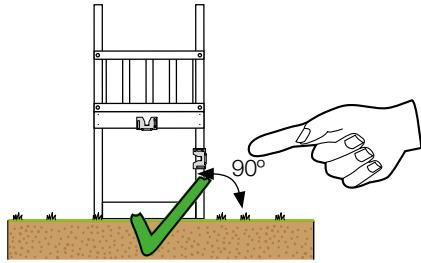
31-Mar-2022

04 Product ID

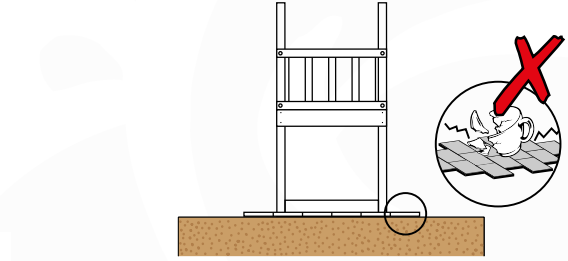
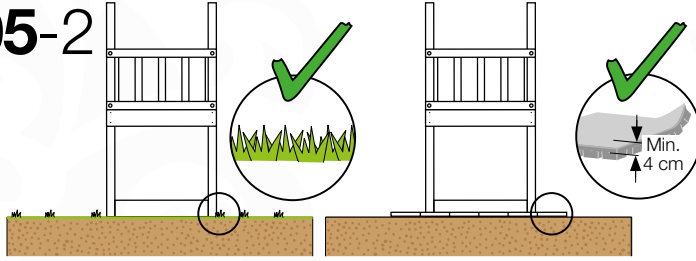


05 Safe Playground Planning

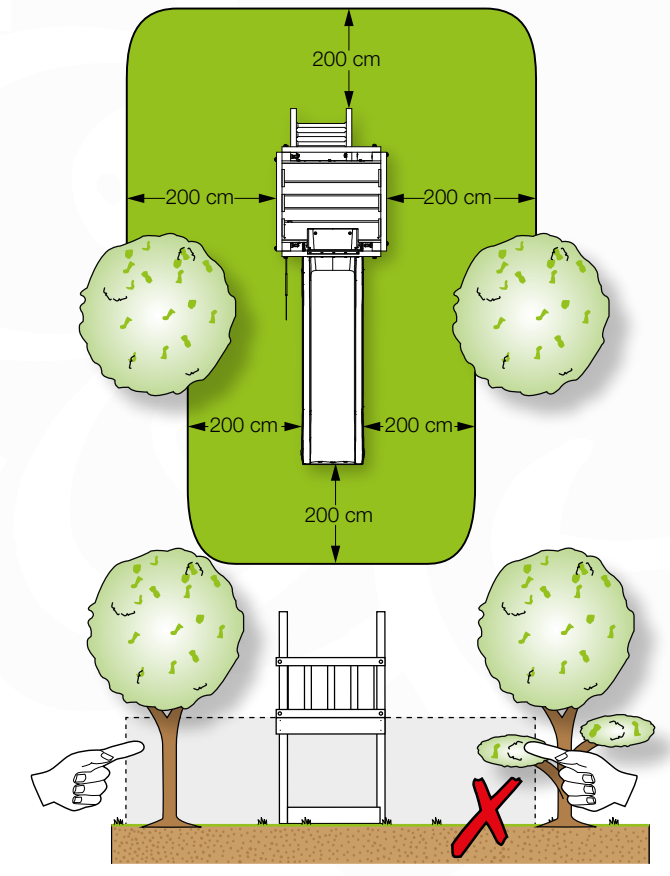
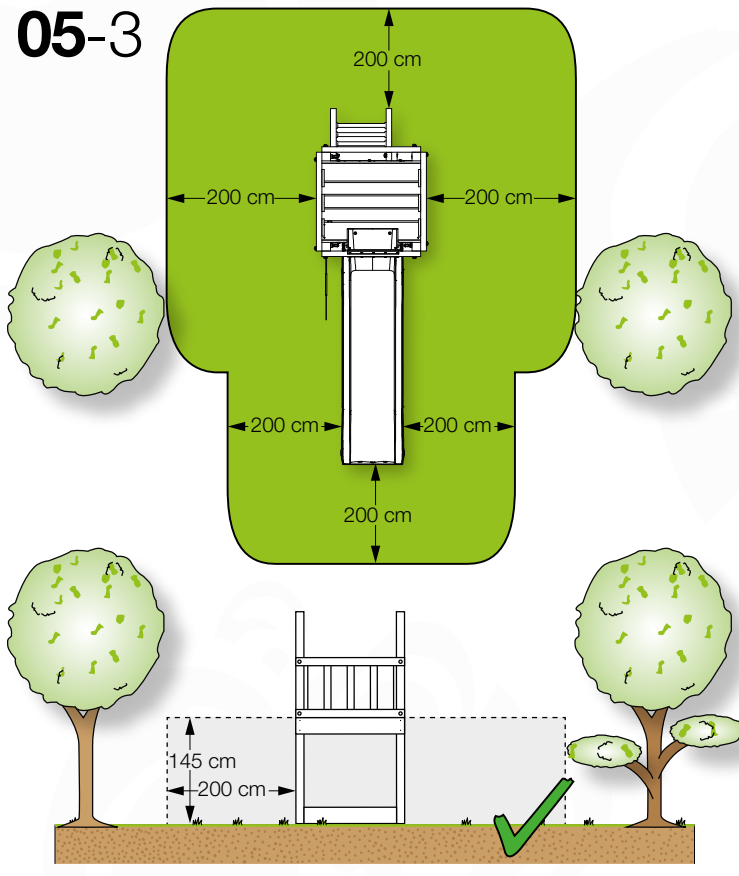
05-1



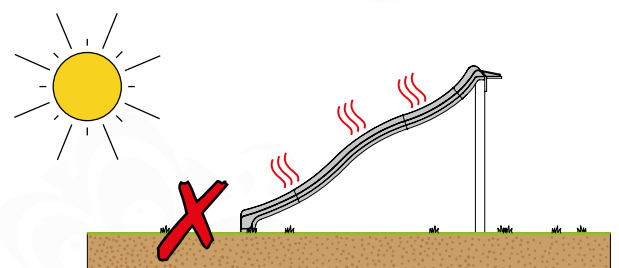
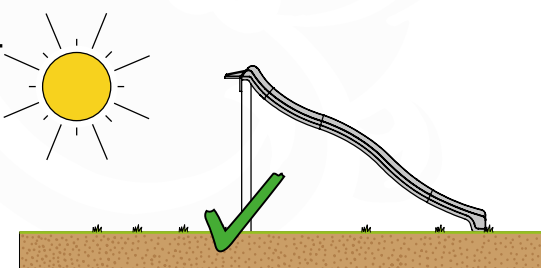
05-2



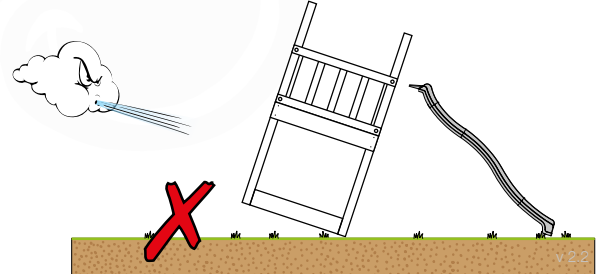
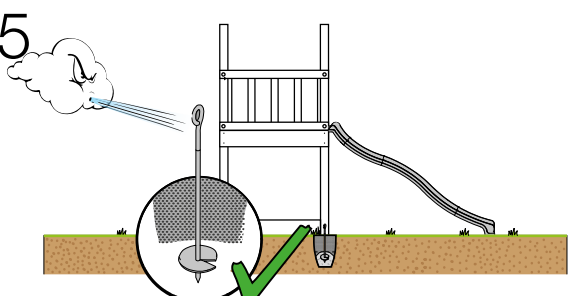
05-3



05-4

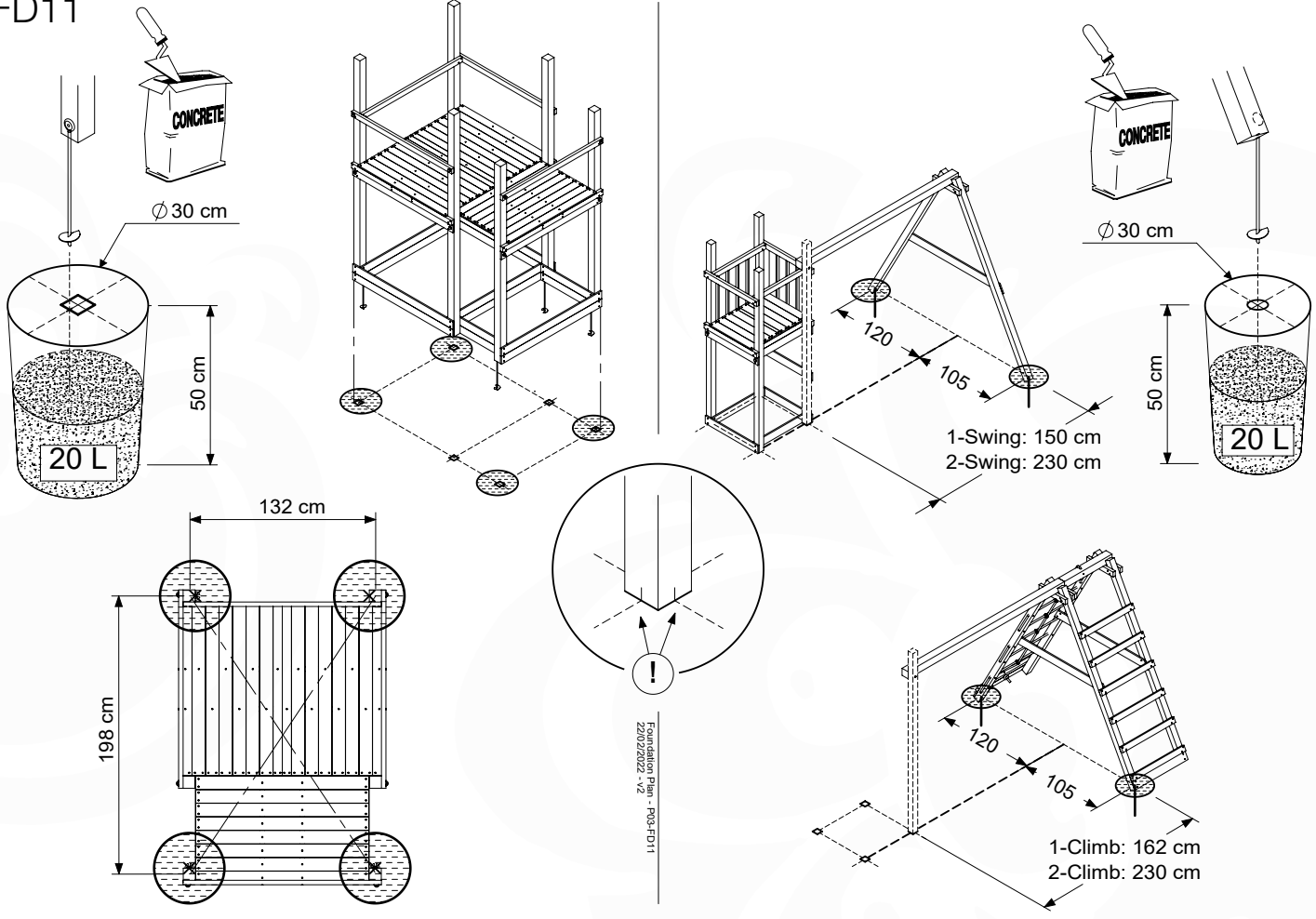


05-5



06 Playground Foundation

FD11

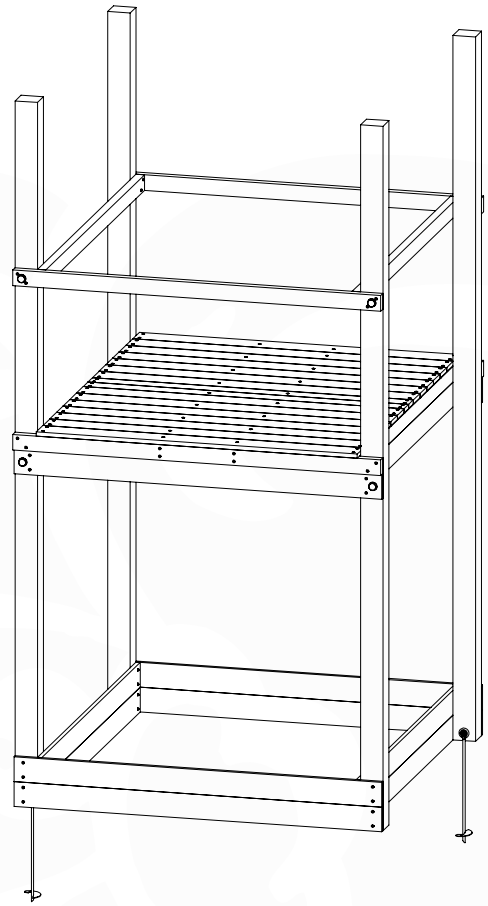


07 Base Tower

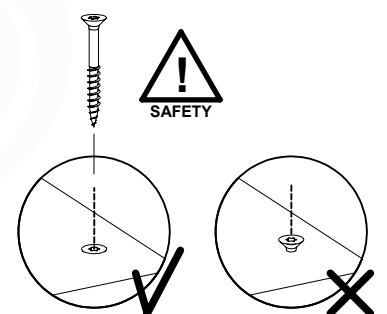
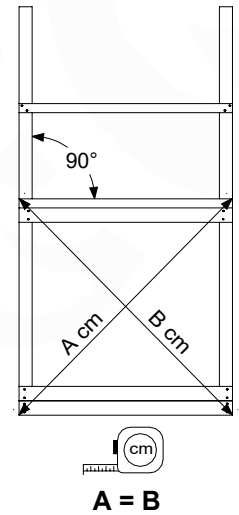
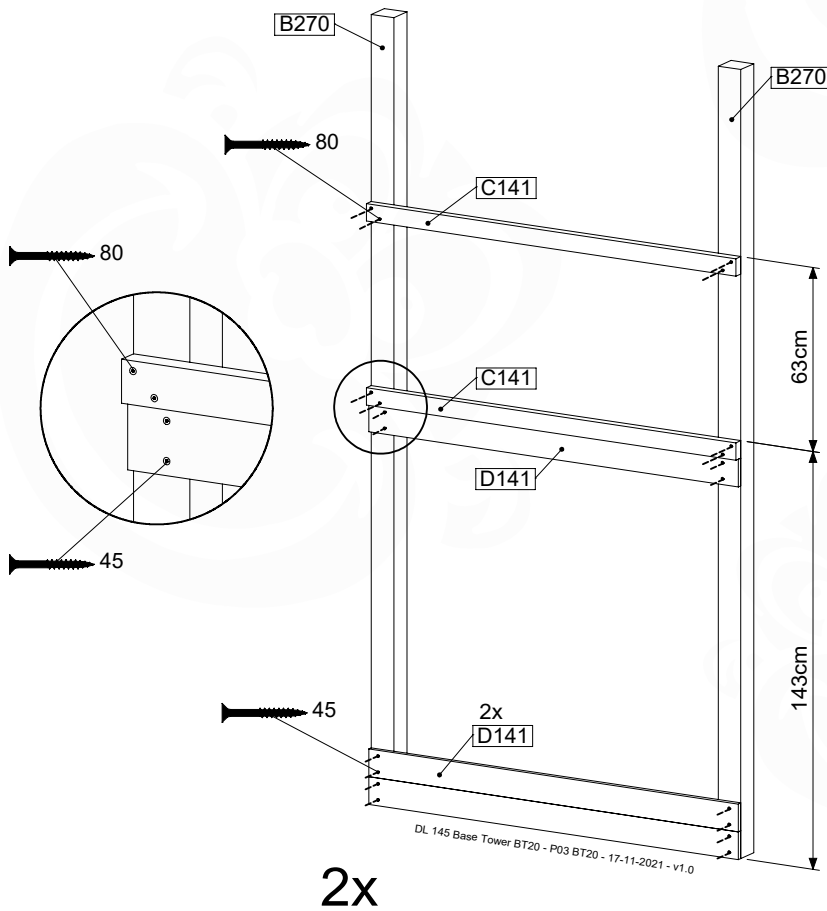
BT20

| | PartNo | PartName | QTY. |
|---------------|---------|----------------------------|------|
| Hardware pack | 001_406 | Stealth Screw 8x45 | 6 |
| | 001_417 | Stealth Screw 8x80 | 4 |
| | 002_220 | Gap Point Screw T25 - 5x45 | 135 |
| | 002_223 | Gap Point Screw T25 - 5x80 | 40 |
| Other | 007_001 | Ground-anchor | 2 |
| | 022_31x | bpc-base version 3 | 8 |
| | 022_84x | bpc cover | 8 |
| Timber | B270 | Post 90x90 L2700 | 4 |
| | C141 | Beam 1410 mm | 10 |
| | D123 | Board 1230 mm | 17 |
| | D141 | Board 1410 mm | 12 |

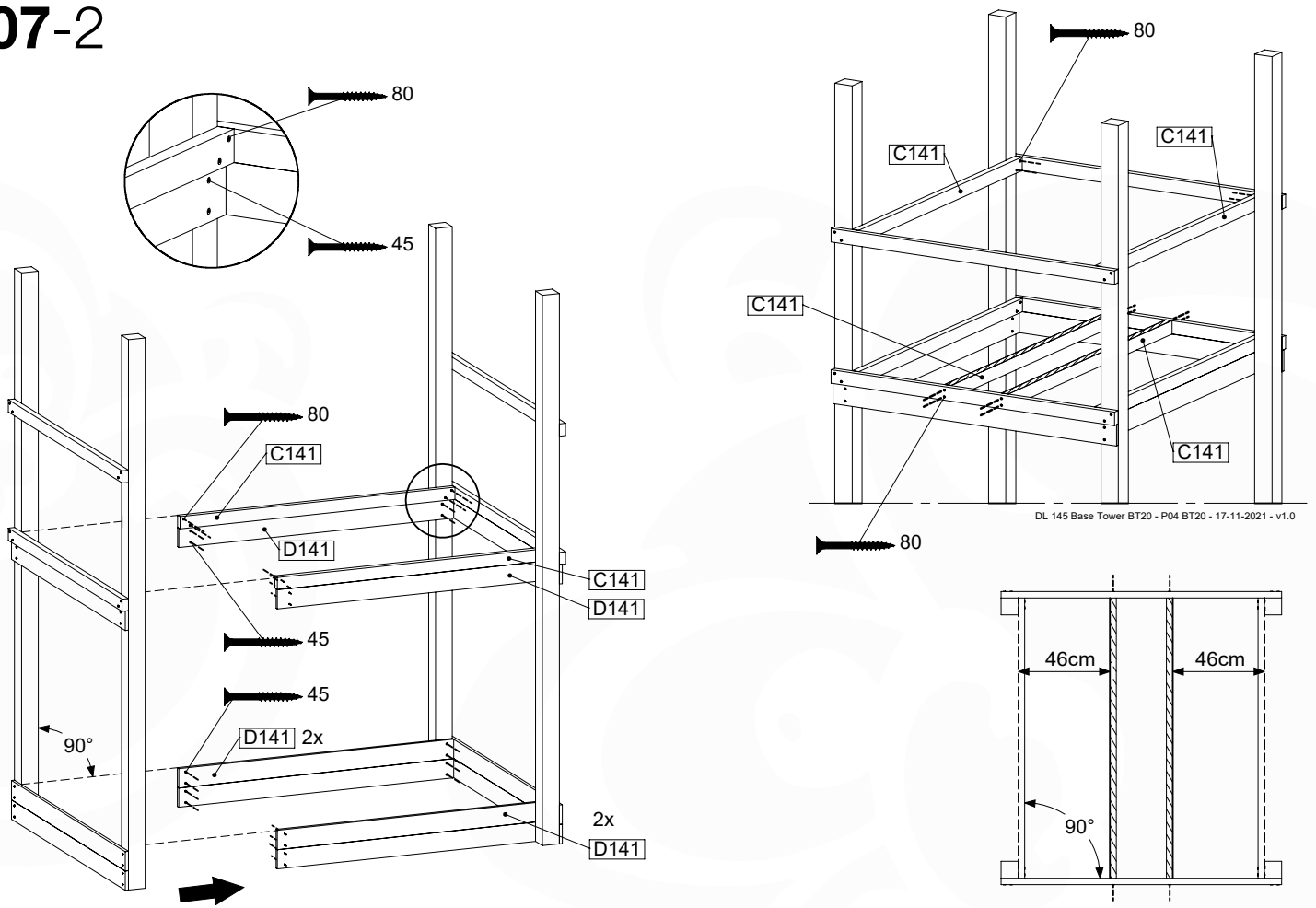
DL 146 Base Tower BT20 - P02 BT20 - 17-11-2021 - v1.0



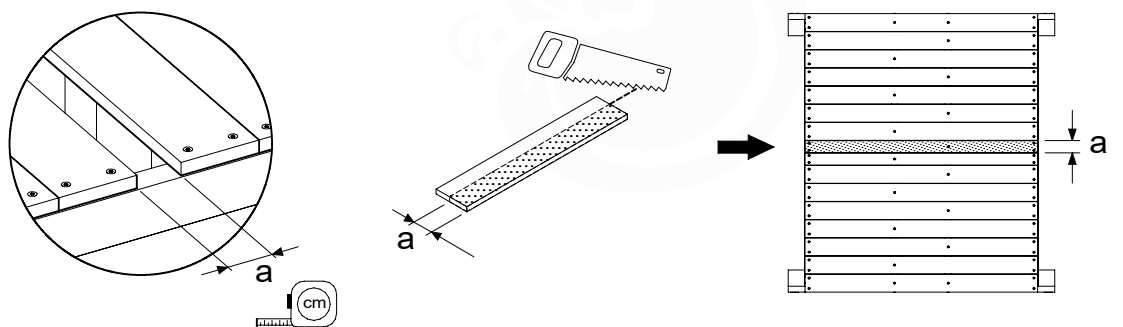
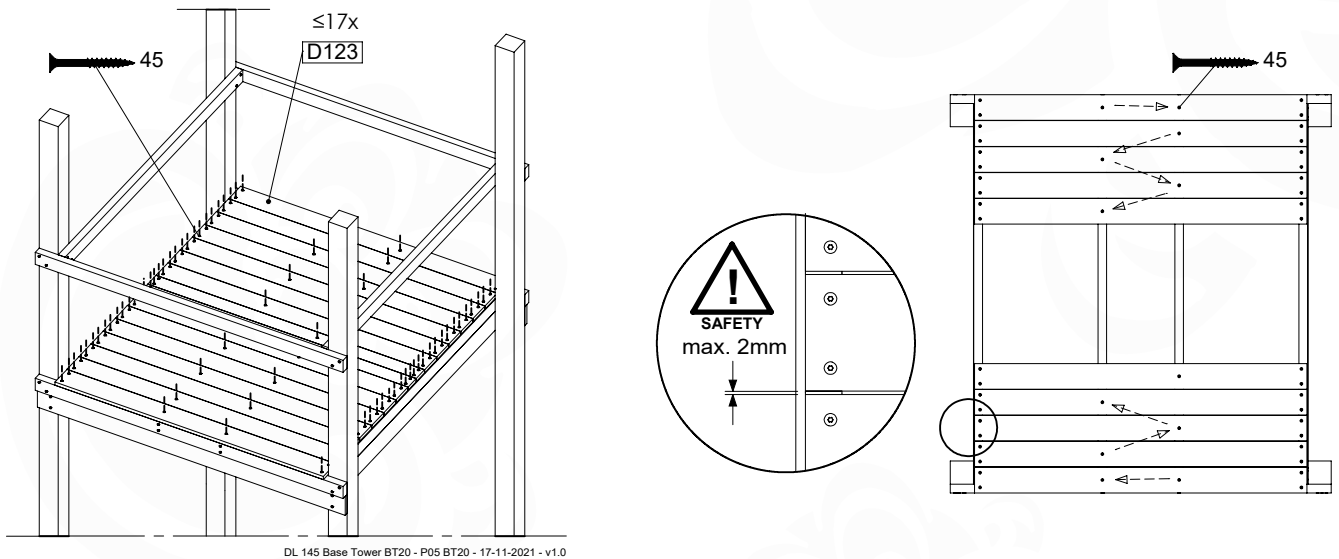
07-1



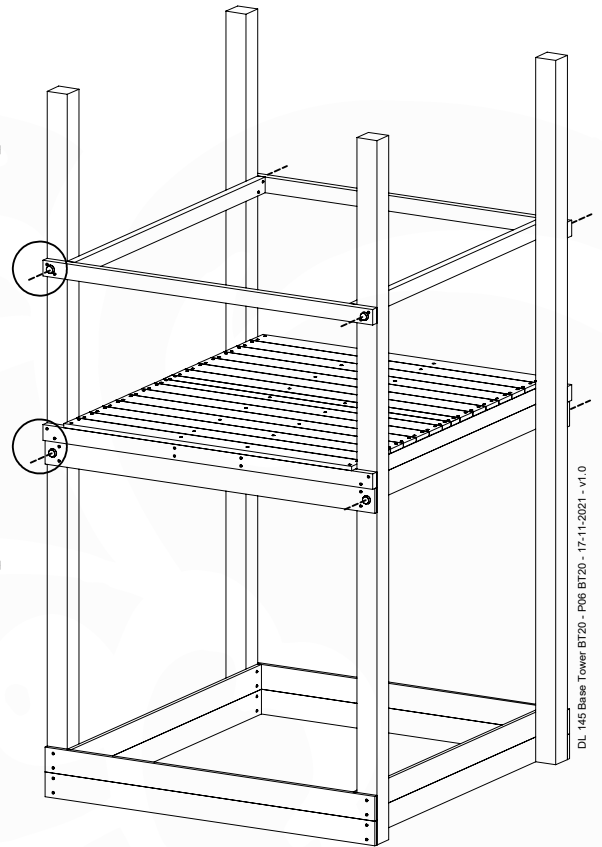
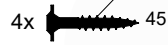
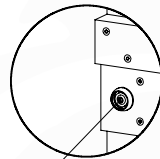
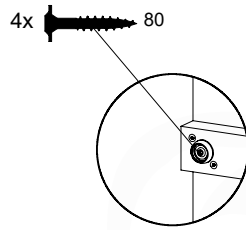
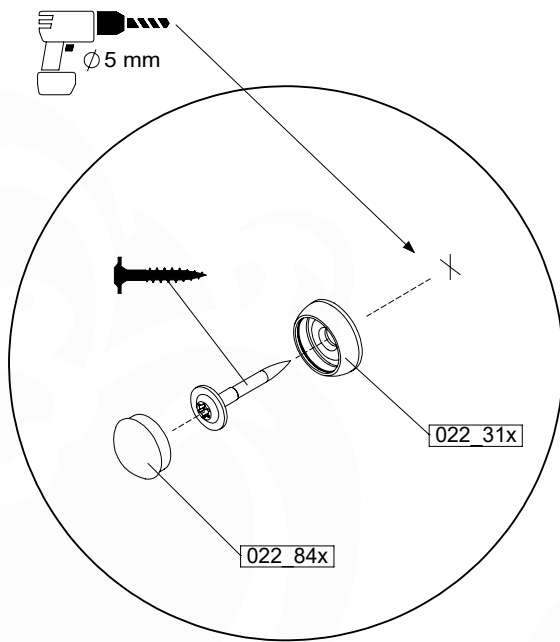
07-2



07-3



07-4

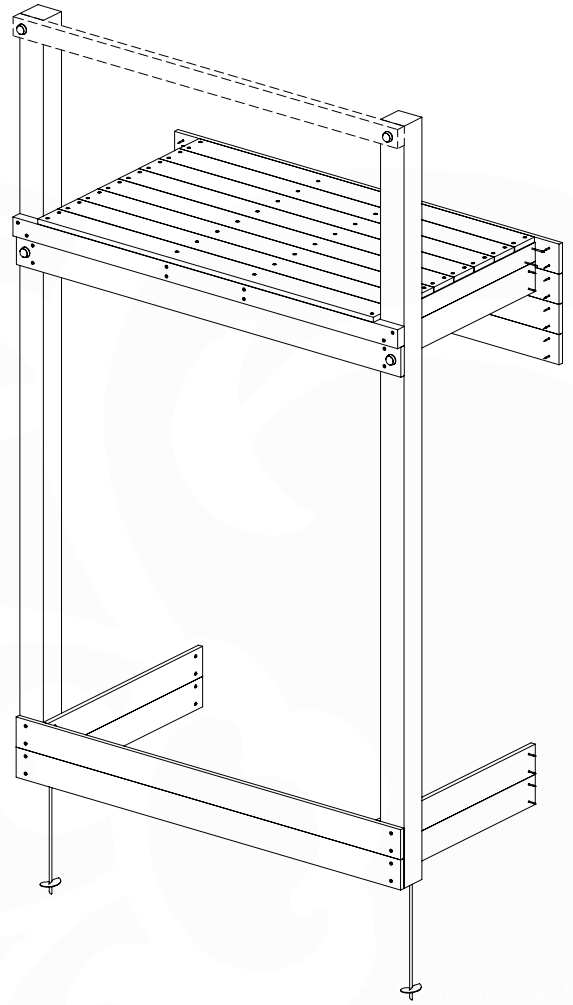


08 Extended Tower

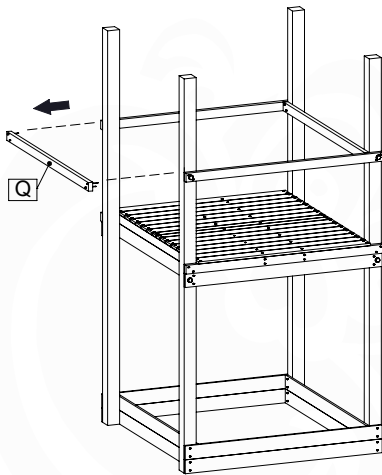
ET35

| | PartNo | PartName | QTY. |
|---------------|---------|----------------------------|------|
| Hardware pack | 001_406 | Stealth Screw 8x45 | 4 |
| | 001_417 | Stealth Screw 8x80 | 2 |
| | 002_220 | Gap Point Screw T25 - 5x45 | 106 |
| | 002_223 | Gap Point Screw T25 - 5x80 | 20 |
| Other | 007_001 | Ground-anchor | 2 |
| | 022_31x | bpc-base version 3 | 4 |
| | 022_84x | bpc cover | 4 |
| Timber | B240 | Post 90x90 L2400 | 2 |
| | C74 | Beam 740 mm | 4 |
| | C141 | Beam 1410 mm | 1 |
| | D74 | Board 740 mm | 6 |
| | D123 | Board 1230 mm | 9 |
| | D141 | Board 1410 mm | 7 |

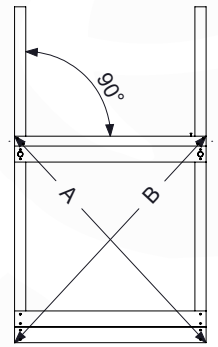
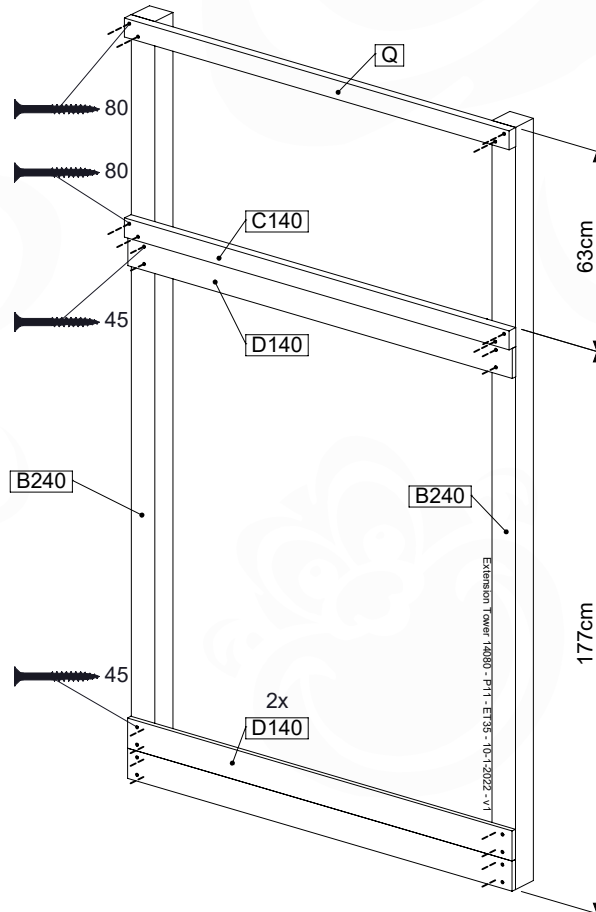
Extension Tower 14080 - P108 - ET35 - 10-1-2022 - v1



08-1



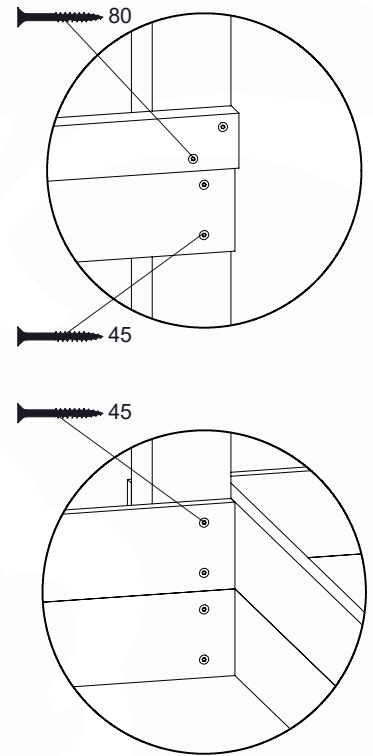
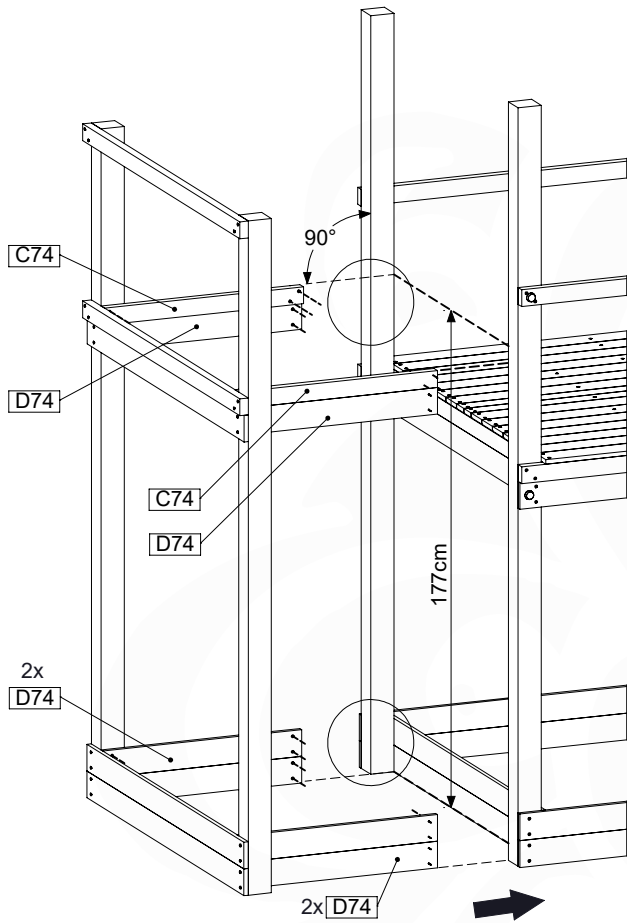
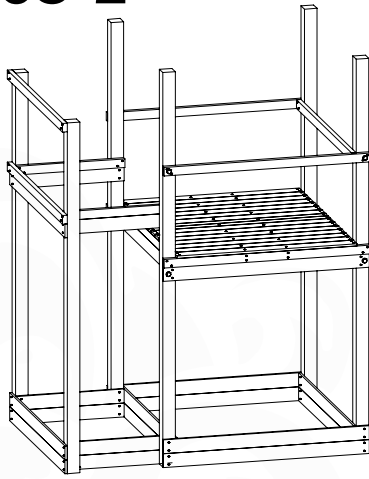
Base Tower



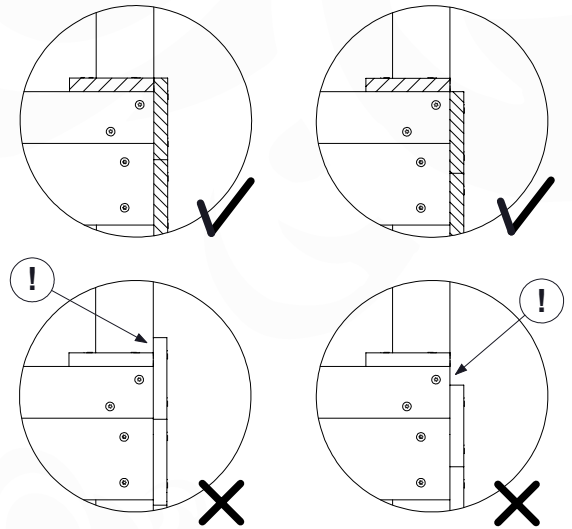
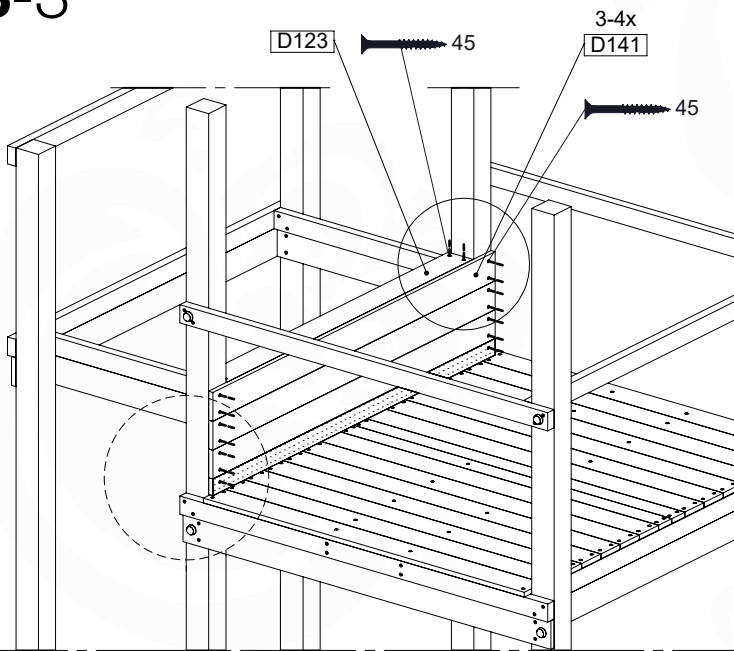
A = B



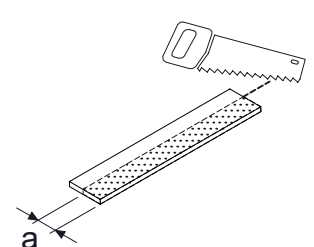
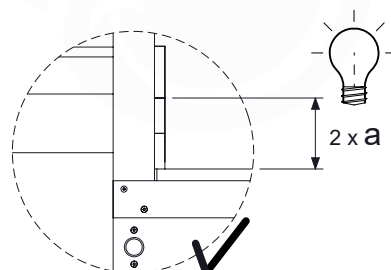
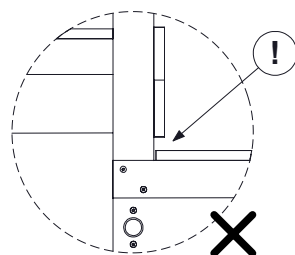
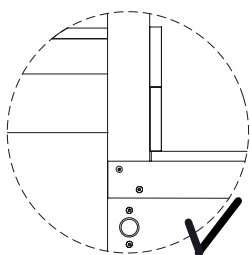
08-2



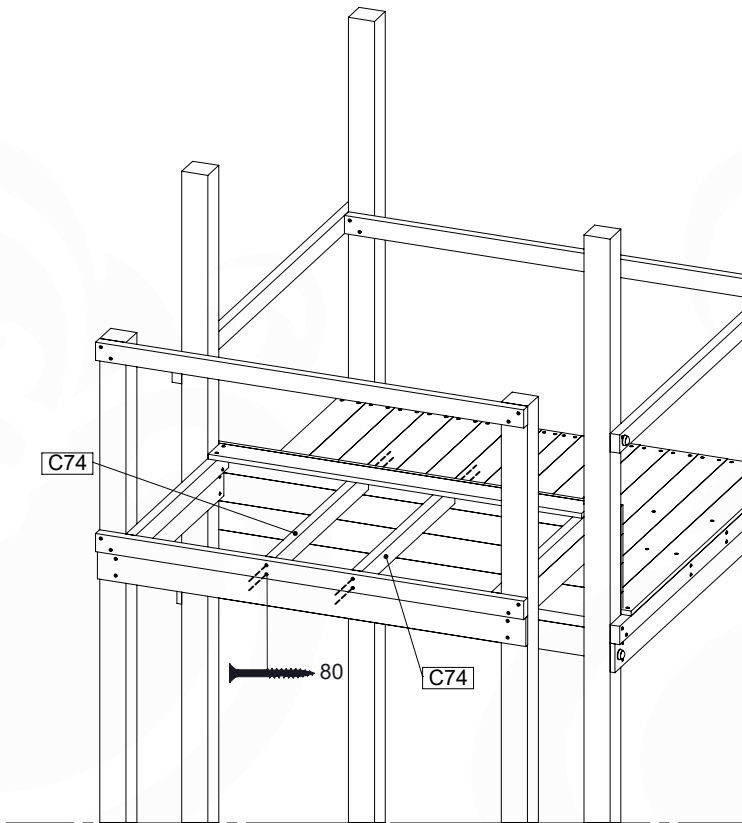
08-3



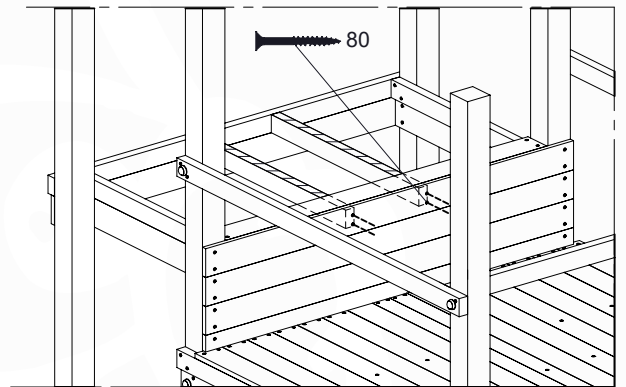
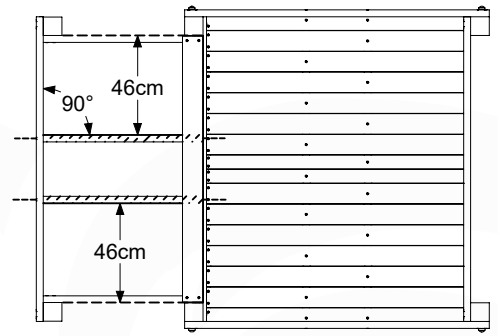
Extension Tower 14080 - P19 - ET35 - 10-1-2022 - v1



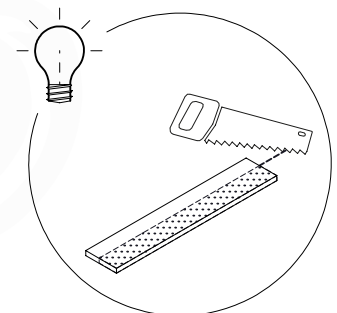
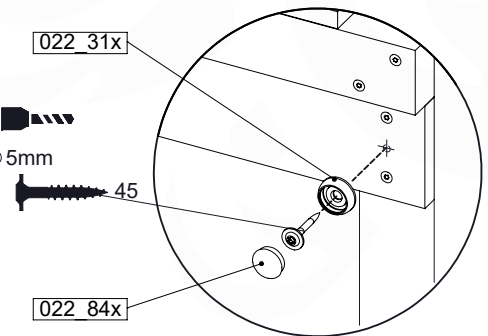
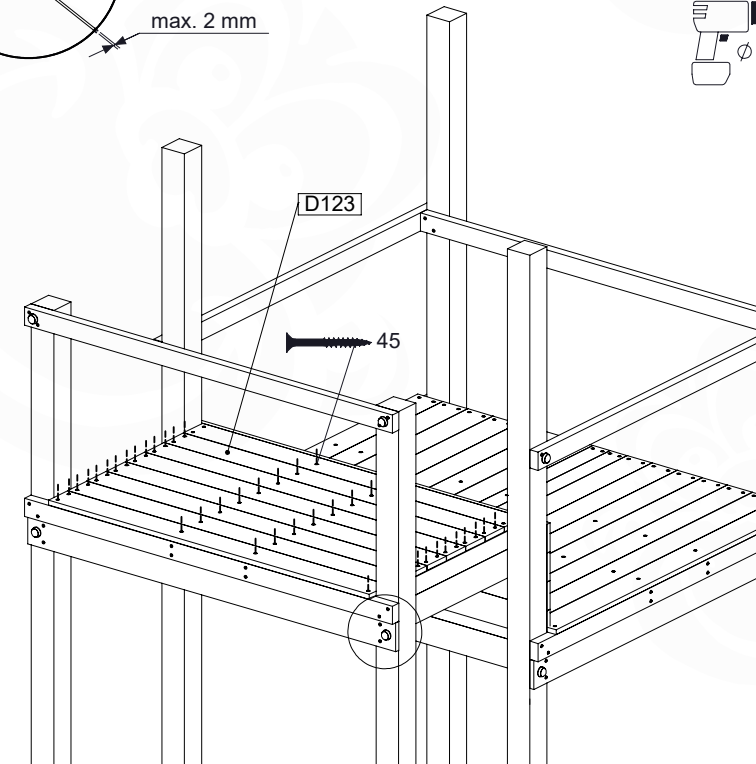
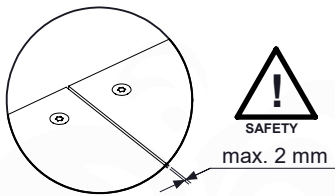
08-4



Extension Tower 14080 - P22 - ET35 - 10-1-2022 - v1



08-5



Extension Tower 14080 - P23 - ET35 - 10-1-2022 - v1

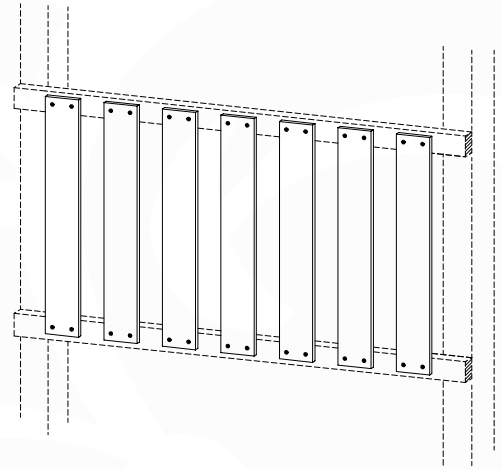
09 Balustrade (2x)

BL06

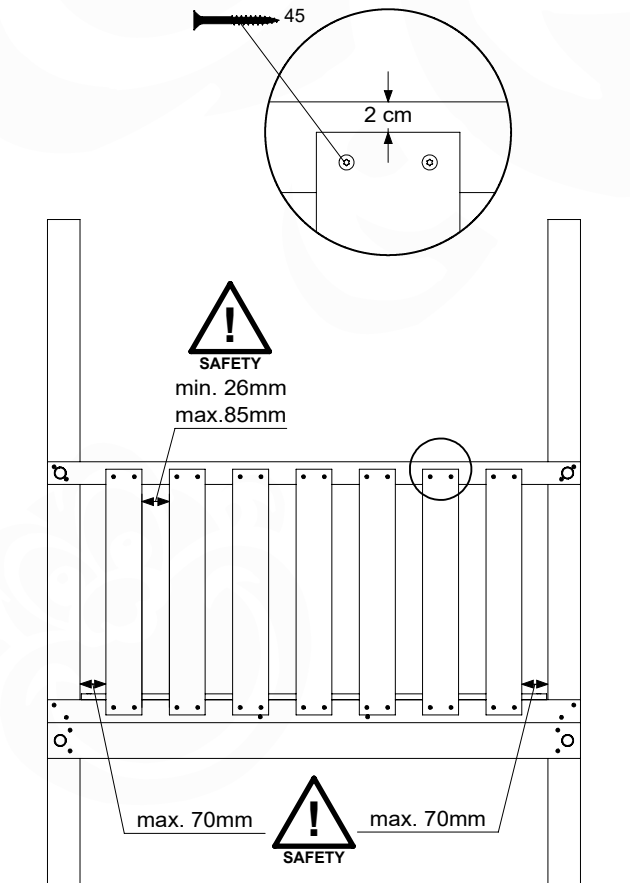
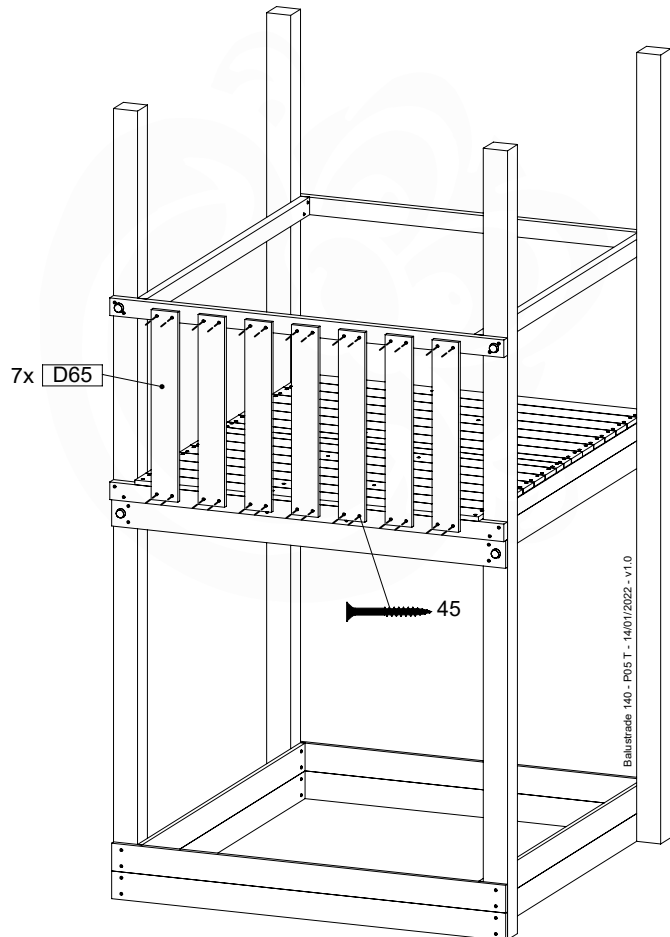


| | PartNo | PartName | QTY. |
|---------------|---------|----------------------------|------|
| Hardware pack | 002_220 | Gap Point Screw T25 - 5x45 | 28 |
| Timber | D65 | Board 650 mm | 7 |

Balustrade 140 - P03 T - 14/01/2022 - v1.0



09-1



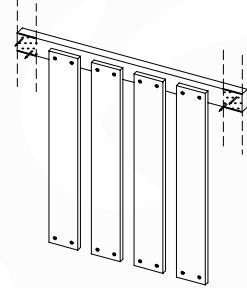
10 Balustrade (2x)

BL21

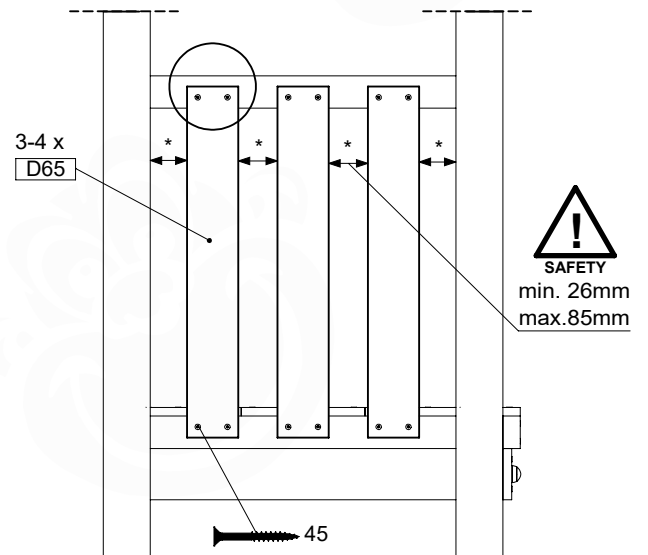
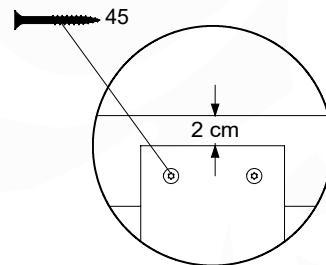
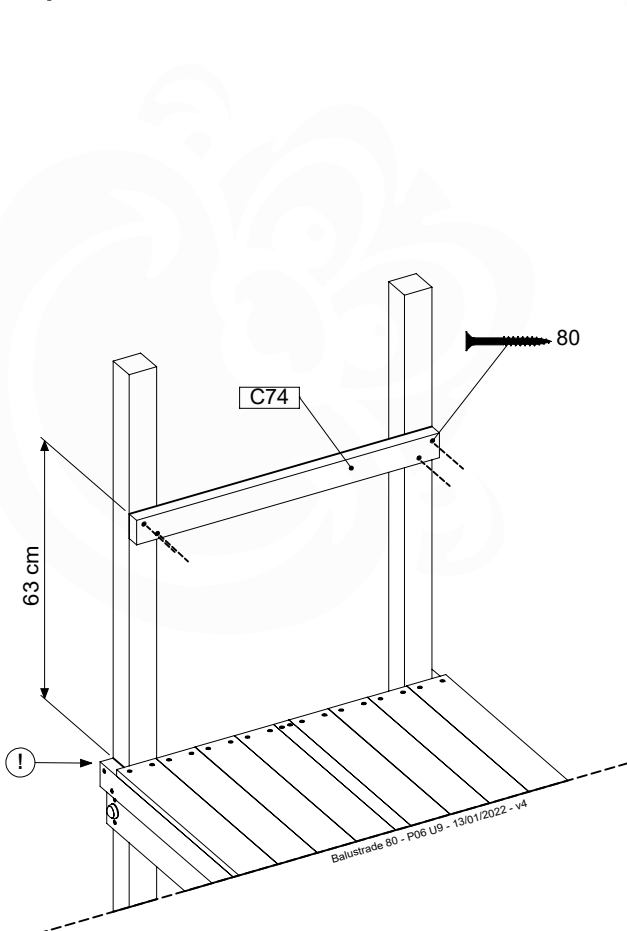
(194_101)

| | PartNo | PartName | QTY. |
|--------------------------|---------|----------------------------|------|
| Hardware Pack 100_601 | 002_220 | Gap Point Screw T25 - 5x45 | 16 |
| | 002_223 | Gap Point Screw T25 - 5x80 | 4 |
| Timber | C74 | Beam 740 mm | 1 |
| | D65 | Board 650 mm | 4 |

Balustrade 80 - P02 U - 13/01/2022 - v4

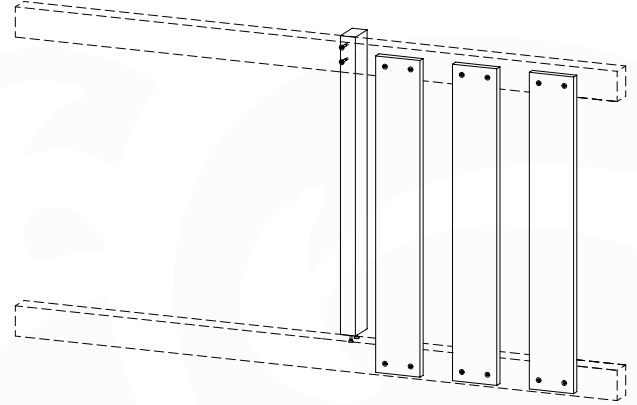


10-1



11 Balustrade (1x)

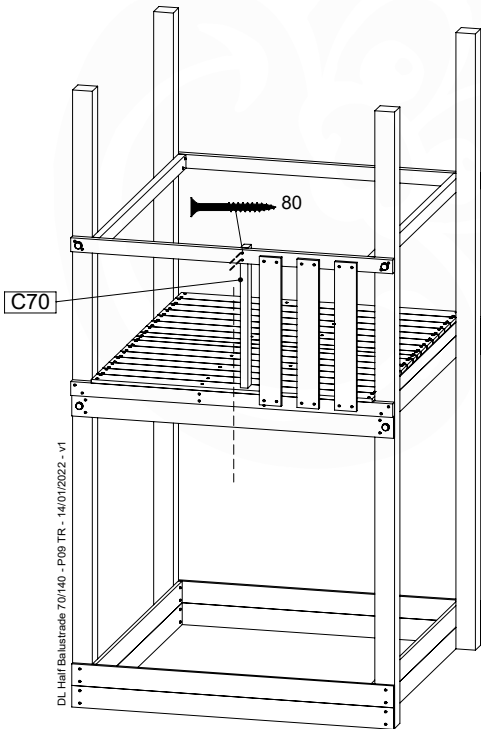
BL10



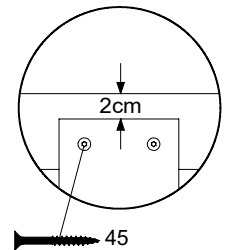
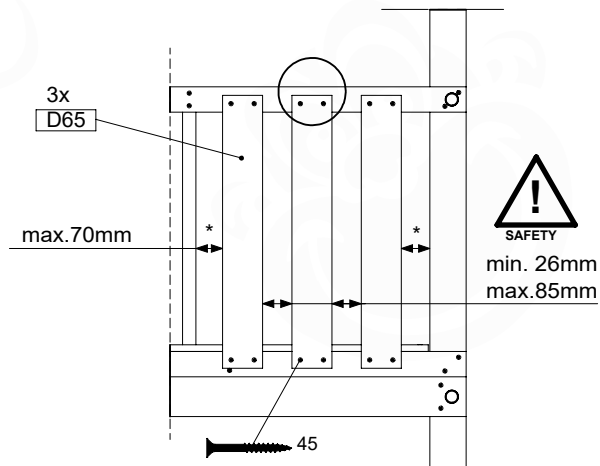
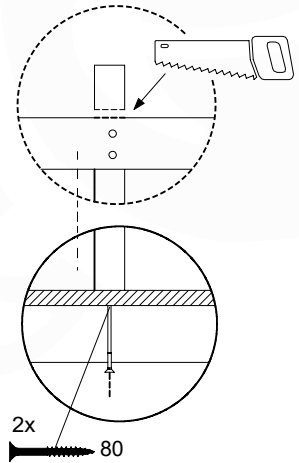
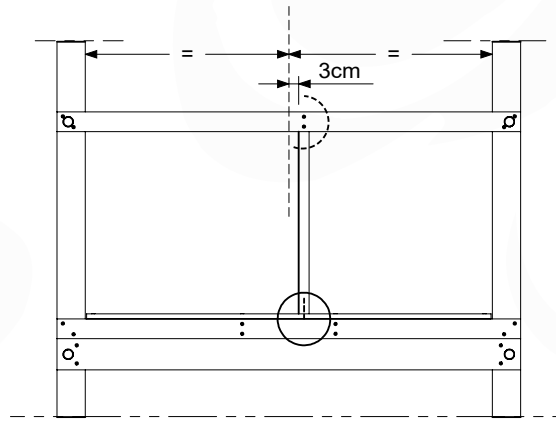
| | PartNo | PartName | QTY. |
|---------------|---------|----------------------------|------|
| Hardware pack | 002_220 | Gap Point Screw T25 - 5x45 | 12 |
| | 002_223 | Gap Point Screw T25 - 5x80 | 4 |
| Timber | C70 | Beam 700 mm | 1 |
| | D65 | Board 650 mm | 3 |

DL Half Balustrade 70140 - P05 TR - 14/01/2022 - v1

11-1



DL Half Balustrade 70140 - P05 TR - 14/01/2022 - v1

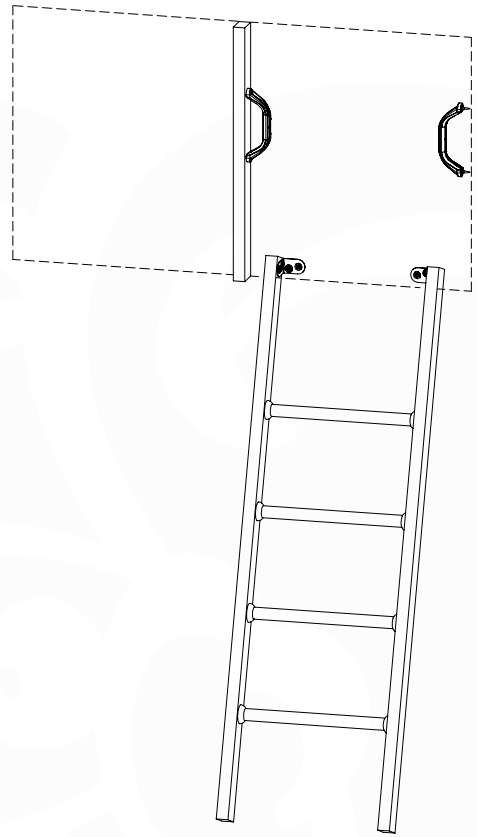


12 Ladder

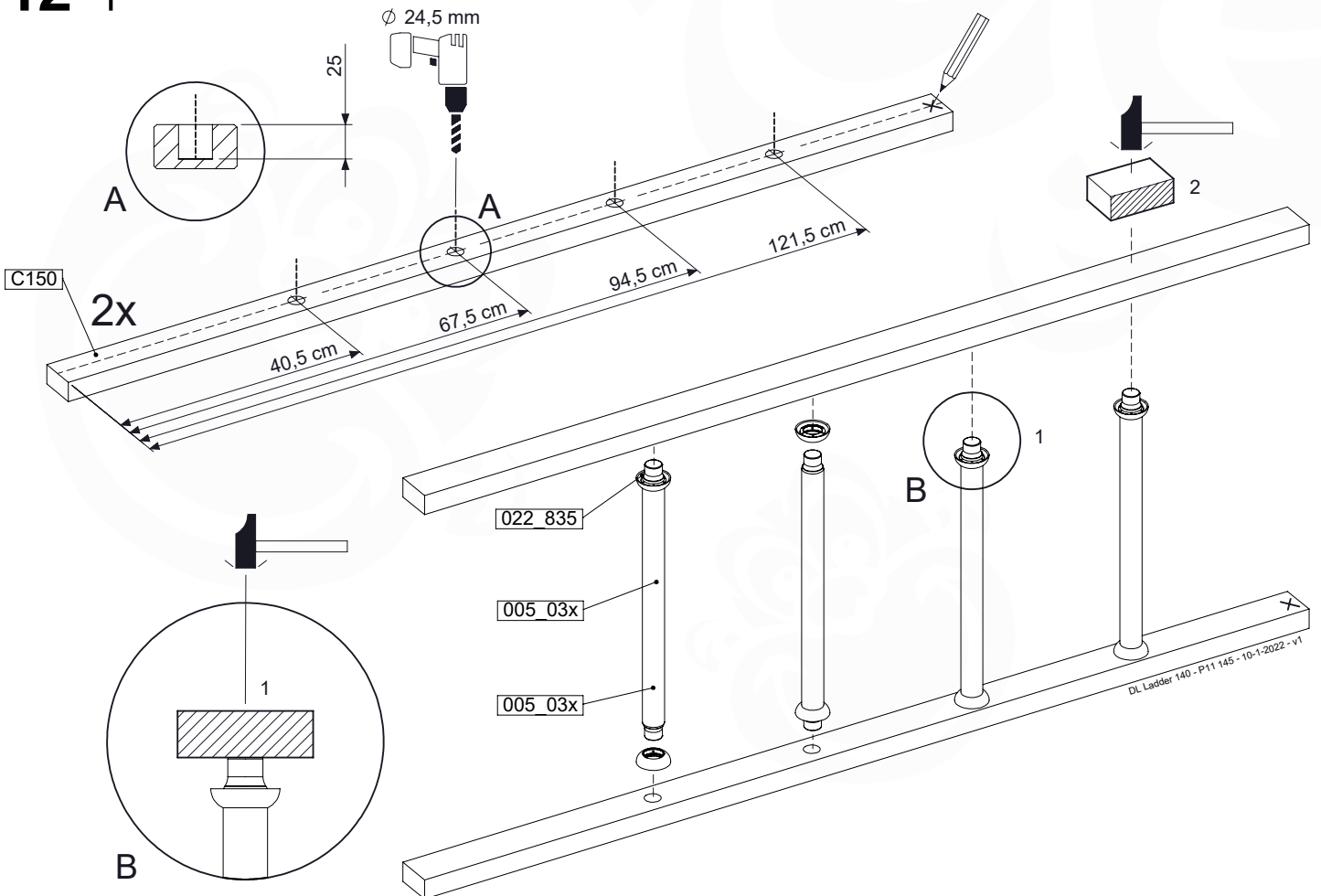
LA24

| | PartNo | PartName | QTY. |
|---------------|---------|--------------------------------|------|
| Hardware pack | 001_404 | Stealth Screw 8x30 | 4 |
| | 002_219 | Gap Point Screw T25 - 5x30 | 4 |
| | 002_220 | Gap Point Screw T25 - 5x45 | 8 |
| | 002_223 | Gap Point Screw T25 - 5x80 | 4 |
| Other | 005_03x | Ladder Rung Y/B/G/R | 4 |
| | 005_522 | Connection Bracket Mini Market | 2 |
| | 022_835 | Rung Cap | 8 |
| | 120_102 | Handgrip set (complete 2x) | 1 |
| Timber | C70 | Beam 700 mm | 1 |
| | C150 | Beam 1500 mm | 2 |

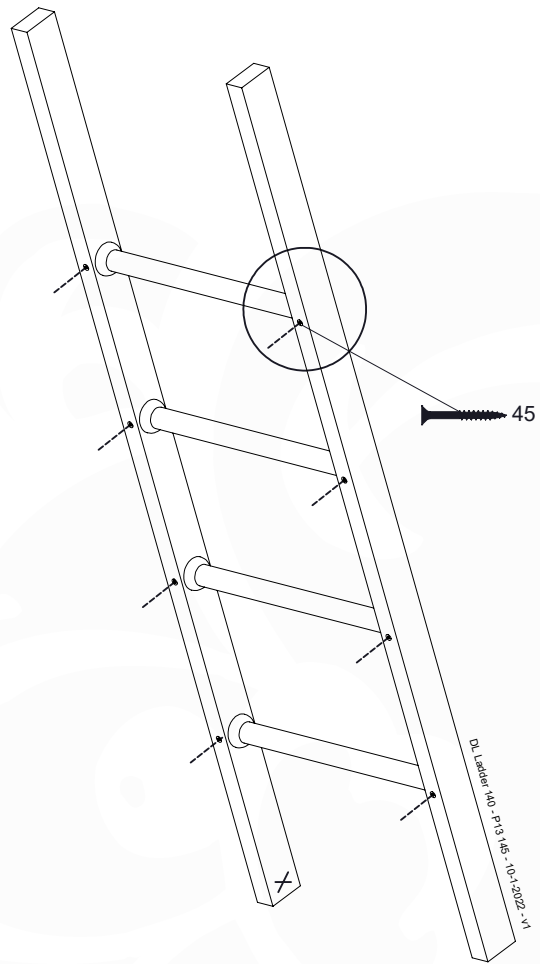
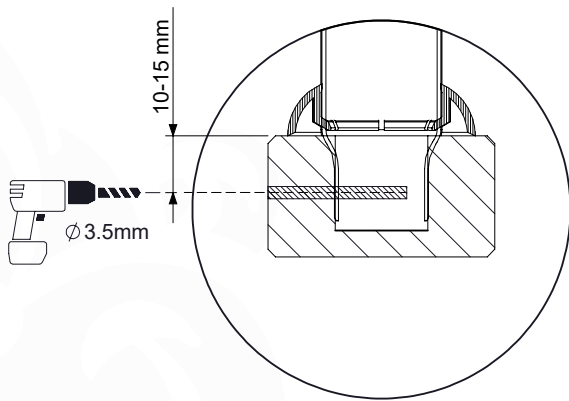
DL Ladder 140 - P07 UR 145 - 10-1-2022 - v1



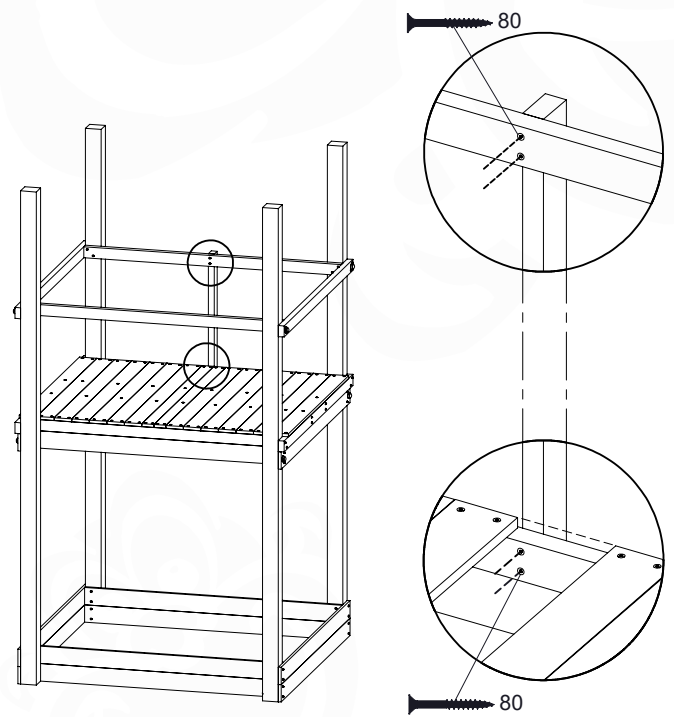
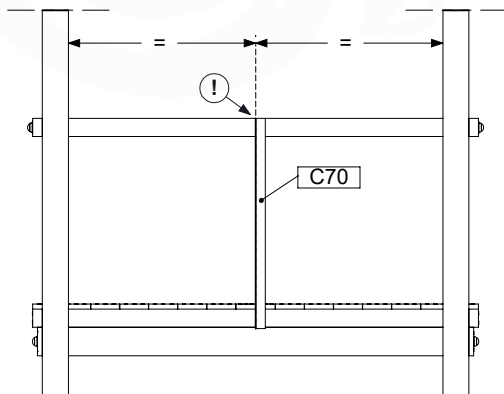
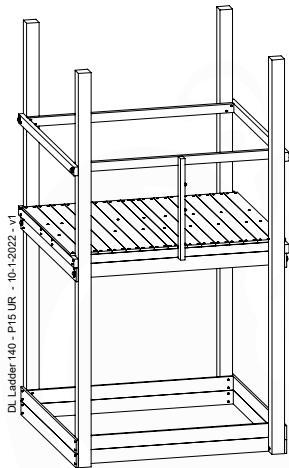
12-1



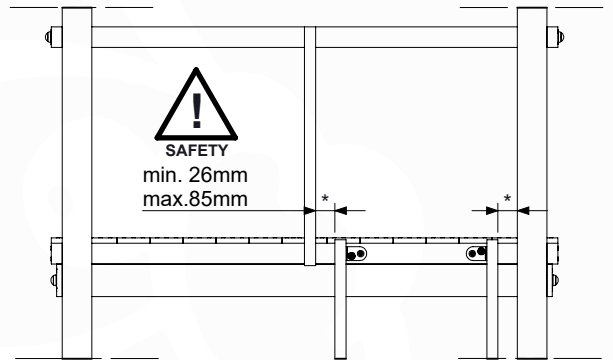
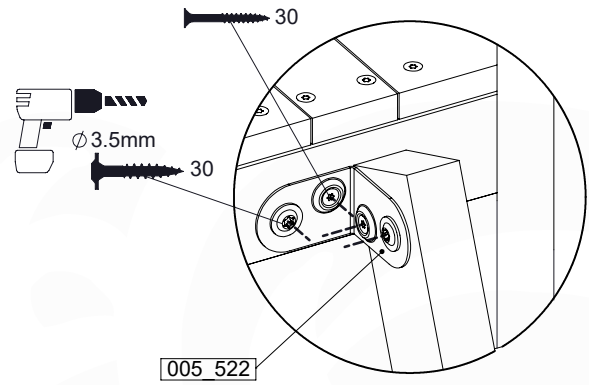
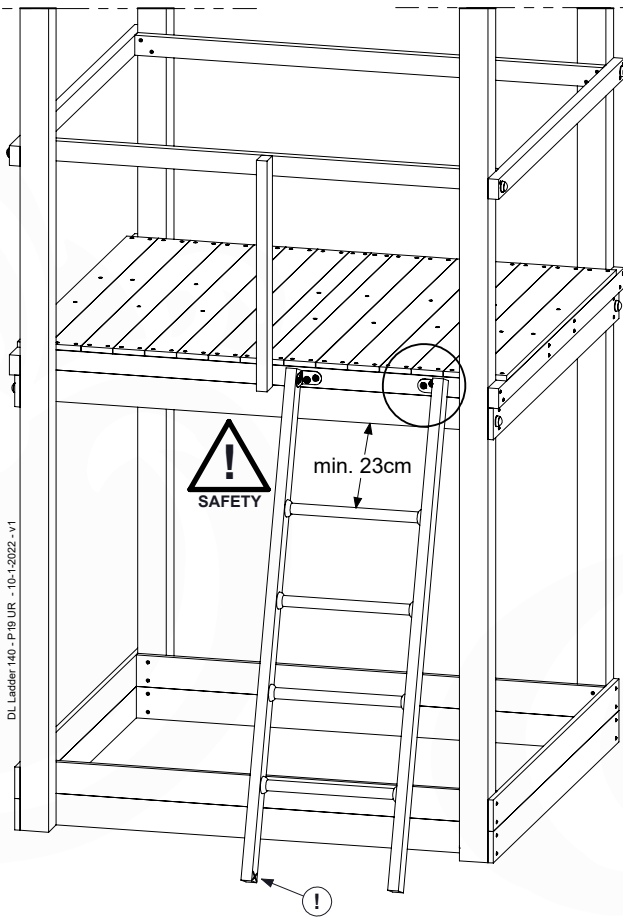
12-2



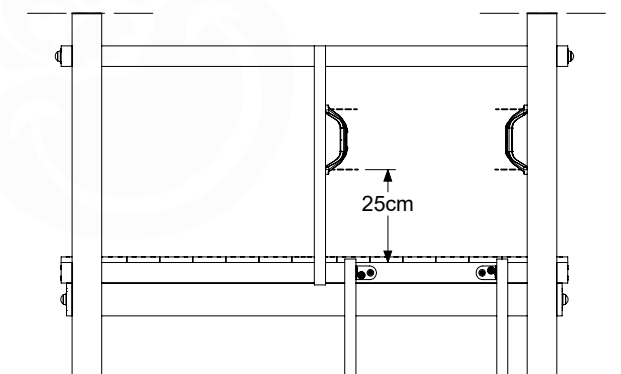
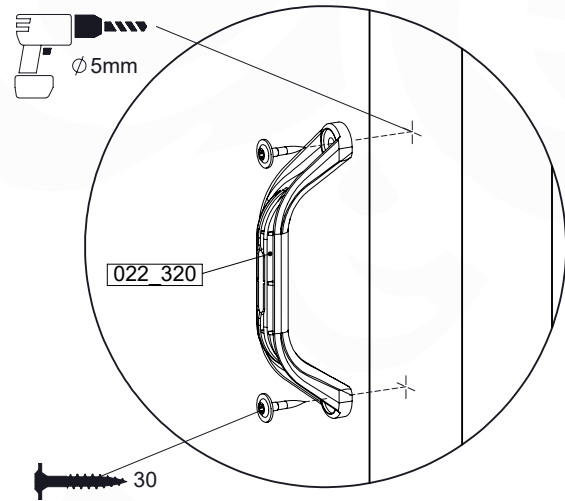
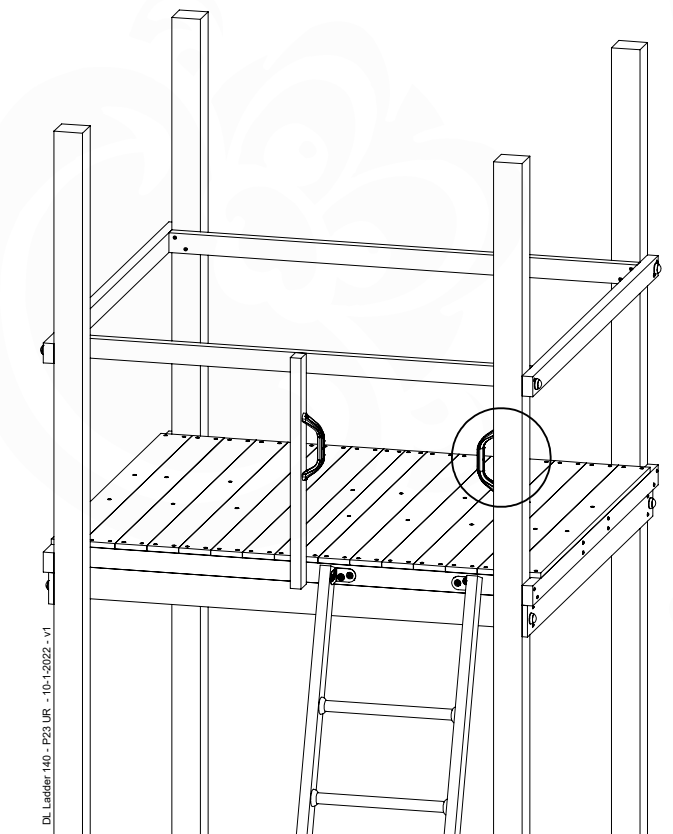
12-3



12-4



12-5

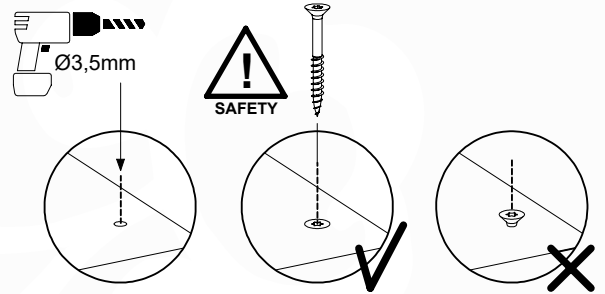
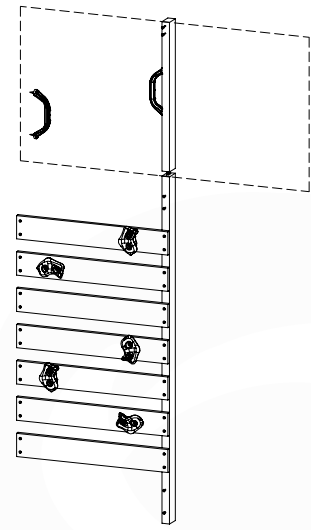


13 Rock Wall

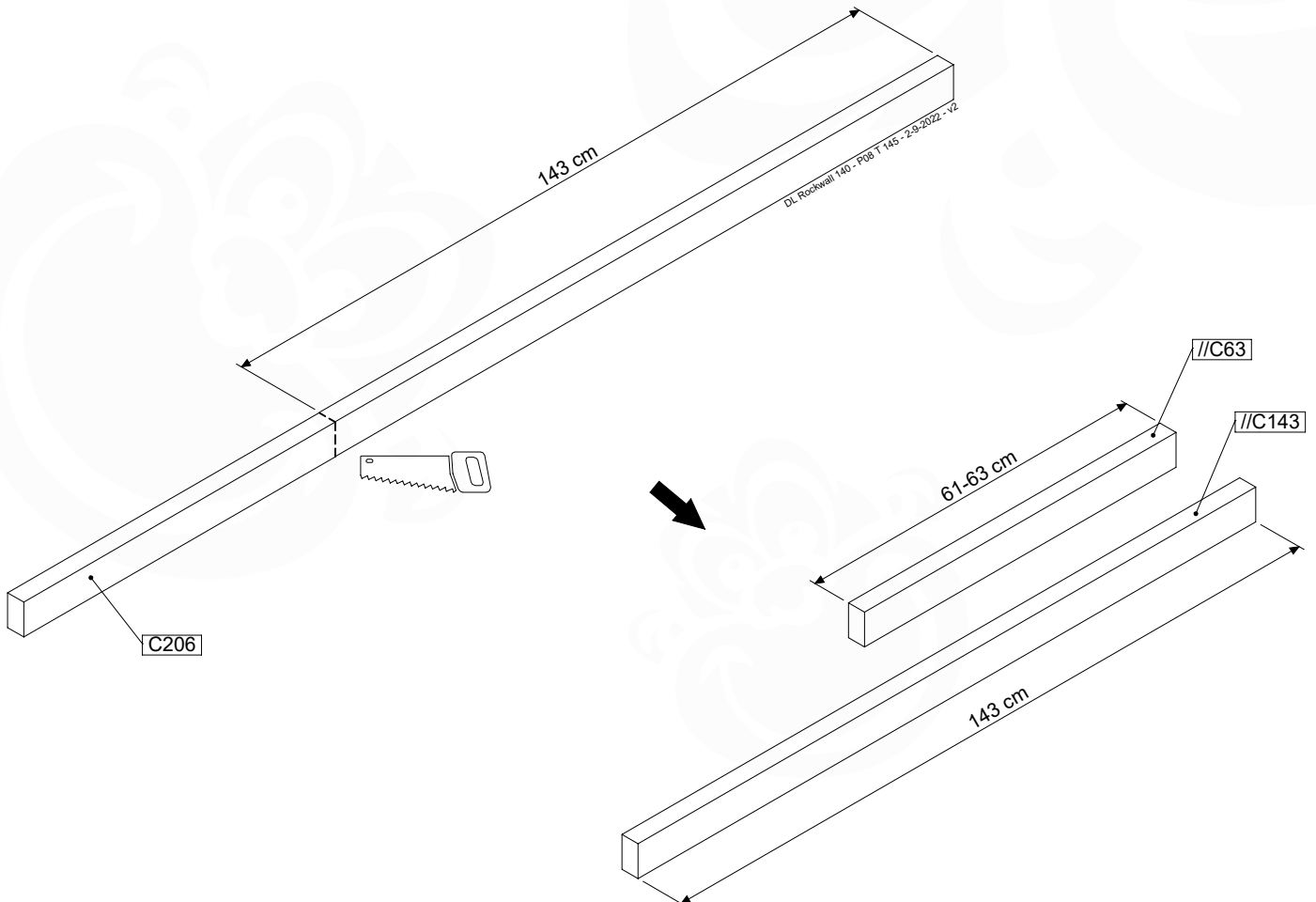
RW19

| | PartNo | PartName | QTY. |
|---------------|---------|-----------------------------|------|
| Hardware pack | 001_102 | Washer Head Screw T40 M8x30 | 10 |
| | 002_220 | Gap Point Screw T25 - 5x45 | 32 |
| | 002_223 | Gap Point Screw T25 - 5x80 | 5 |
| | 003_010 | M8 spring lock washer | 10 |
| | 004_050 | M8 Drive-in Nut 22mm | 10 |
| Other | 022_50x | Climbing Rock | 5 |
| | 120_102 | Handgrip set (complete 2x) | 1 |
| Timber | C206 | Beam 2060 mm | 1 |
| | D65 | Board 650 mm | 7 |

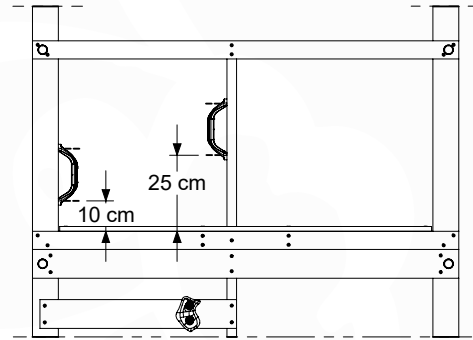
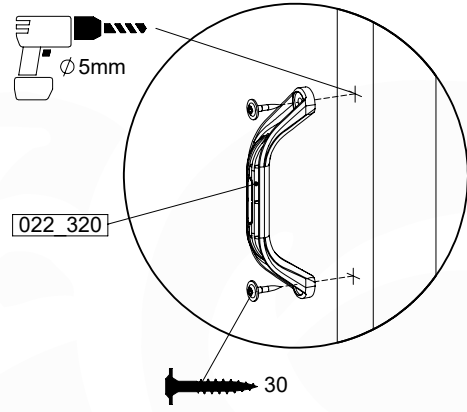
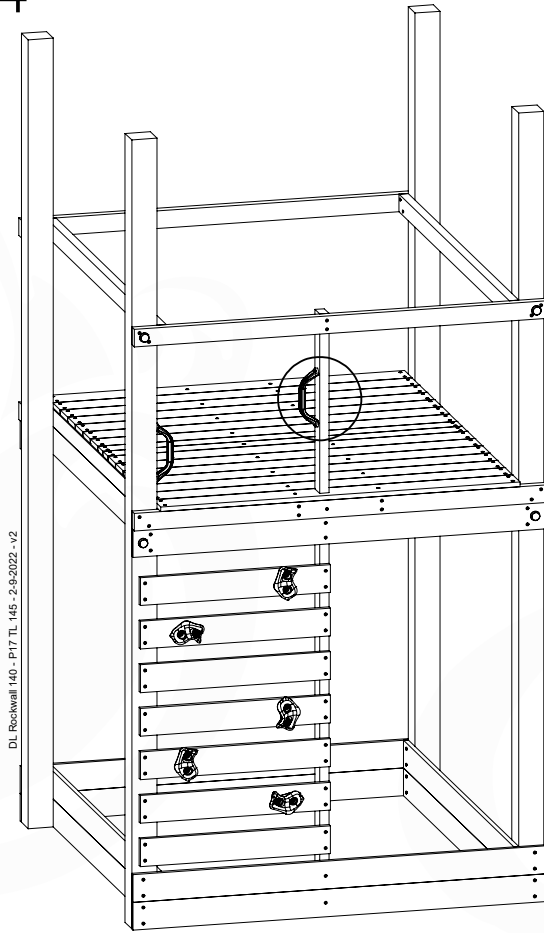
DL Rockwall 140 - P04 TL 145 - 2-9-2022 - v2



13-1

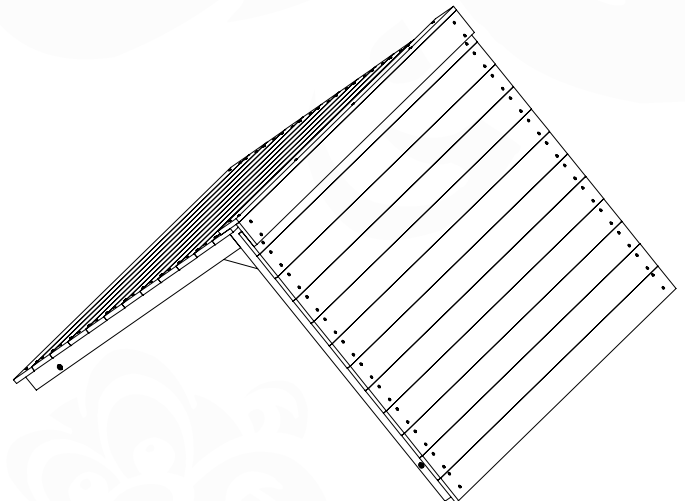


13-4



14 Roof

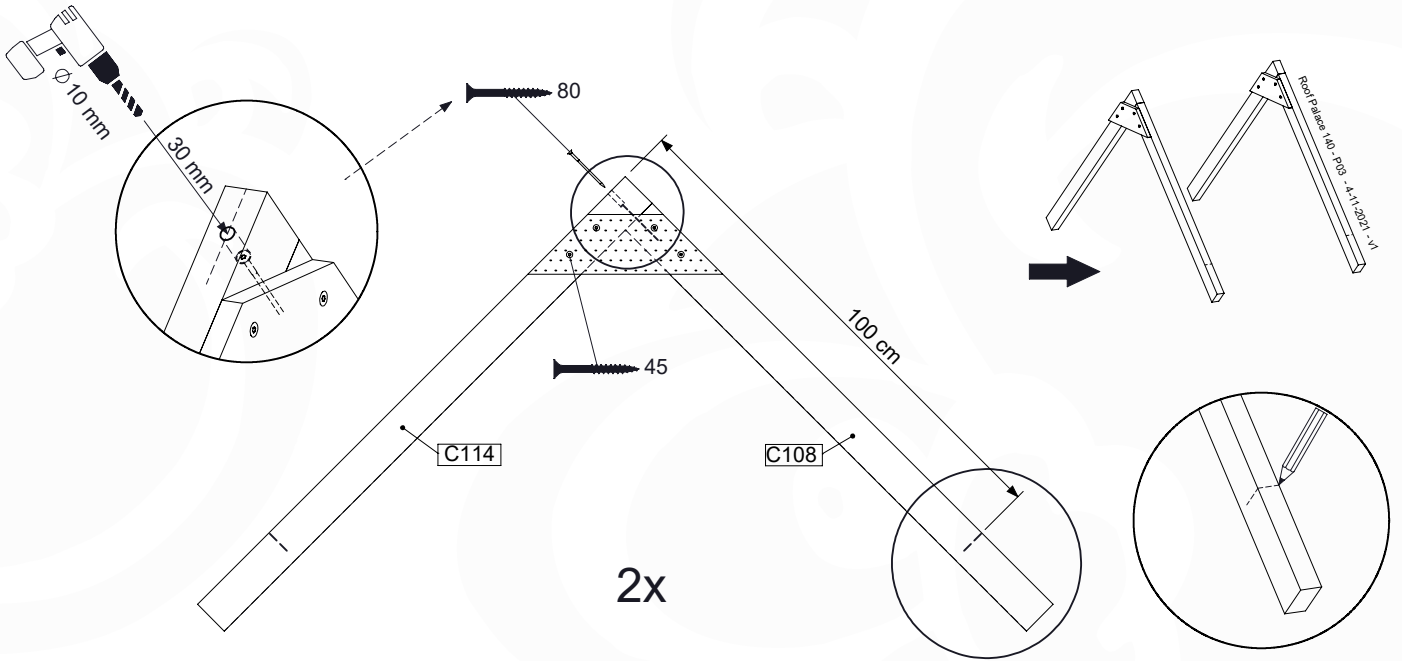
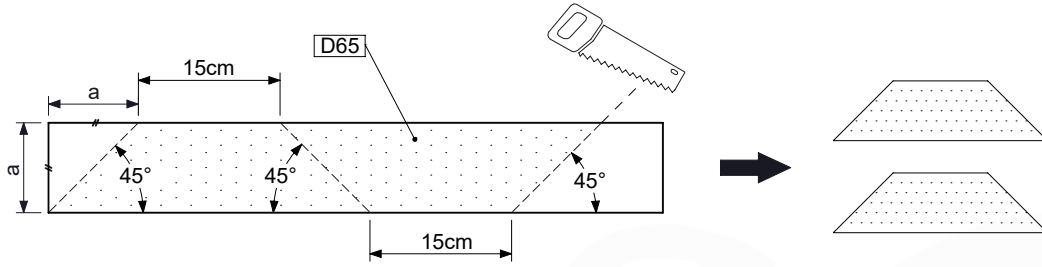
RF14



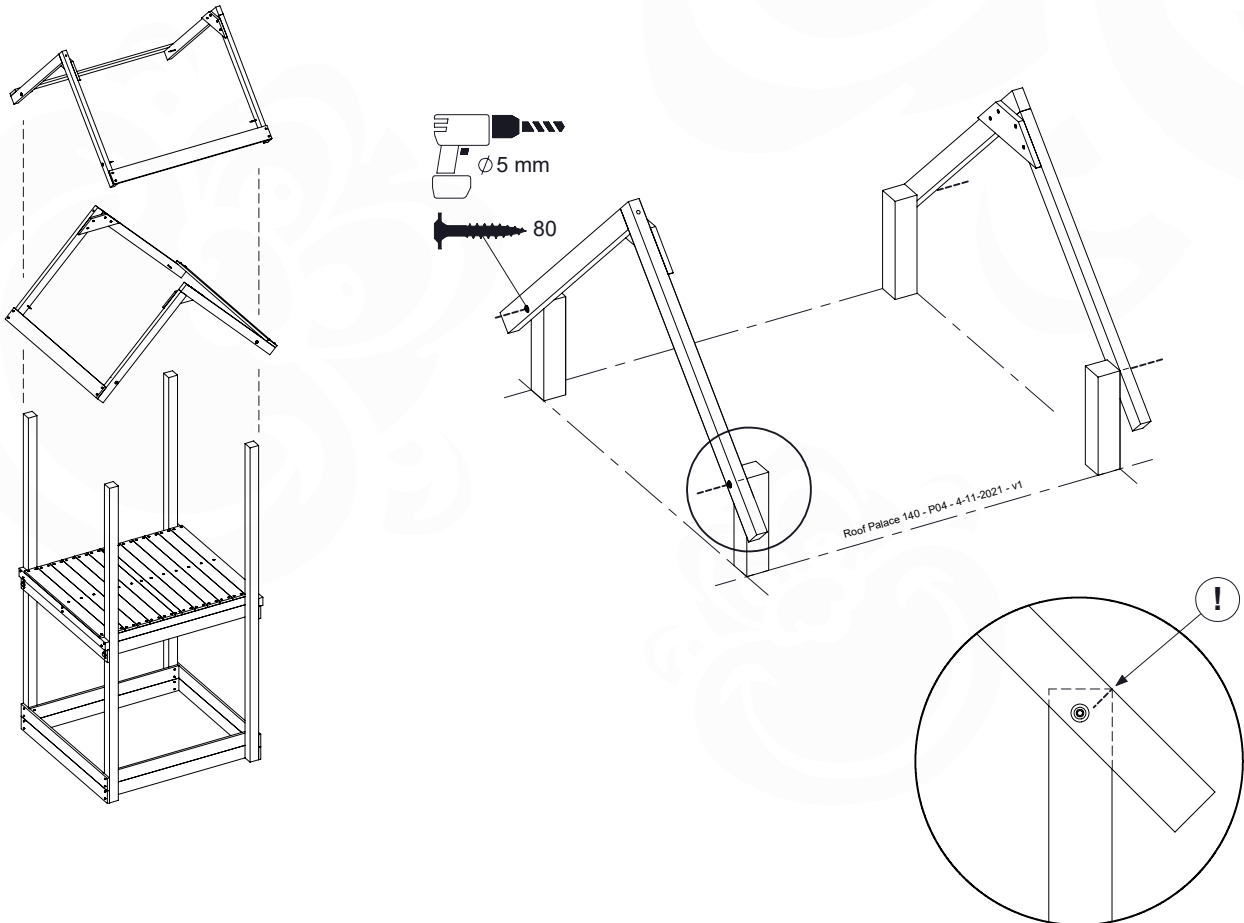
| | PartNo | PartName | QTY. |
|---------------|---------|----------------------------|------|
| Hardware pack | 001_417 | Stealth Screw 8x80 | 4 |
| | 002_220 | Gap Point Screw T25 - 5x45 | 120 |
| | 002_223 | Gap Point Screw T25 - 5x80 | 4 |
| Timber | C108 | Beam 1080 mm | 2 |
| | C114 | Beam 1140 mm | 2 |
| | D65 | Board 650 mm | 1 |
| | D154 | Board 1540 mm | 28 |

Roof Palace 140 - P02 DL-RF14 - 4-11-2021 - v1

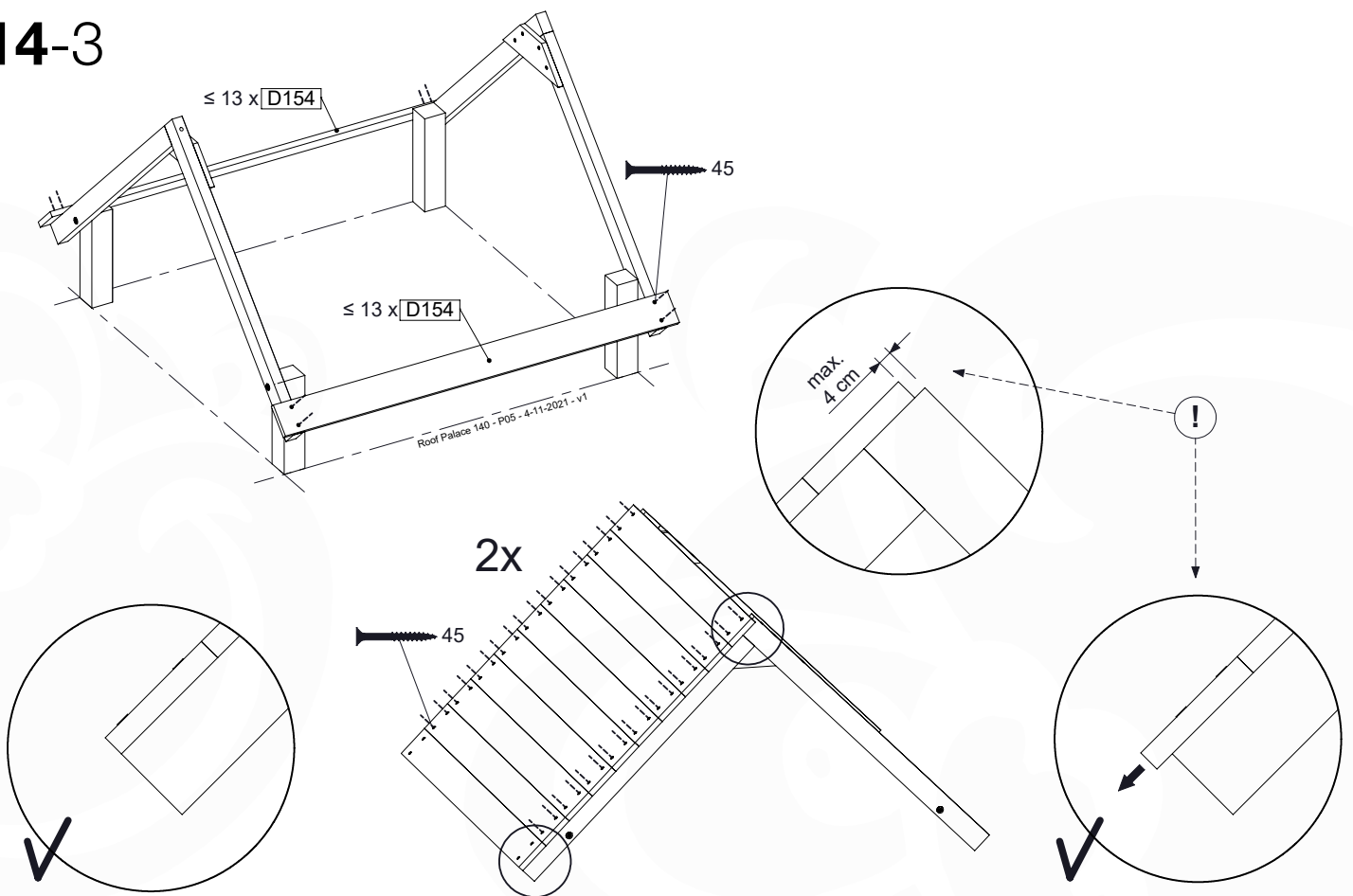
14-1



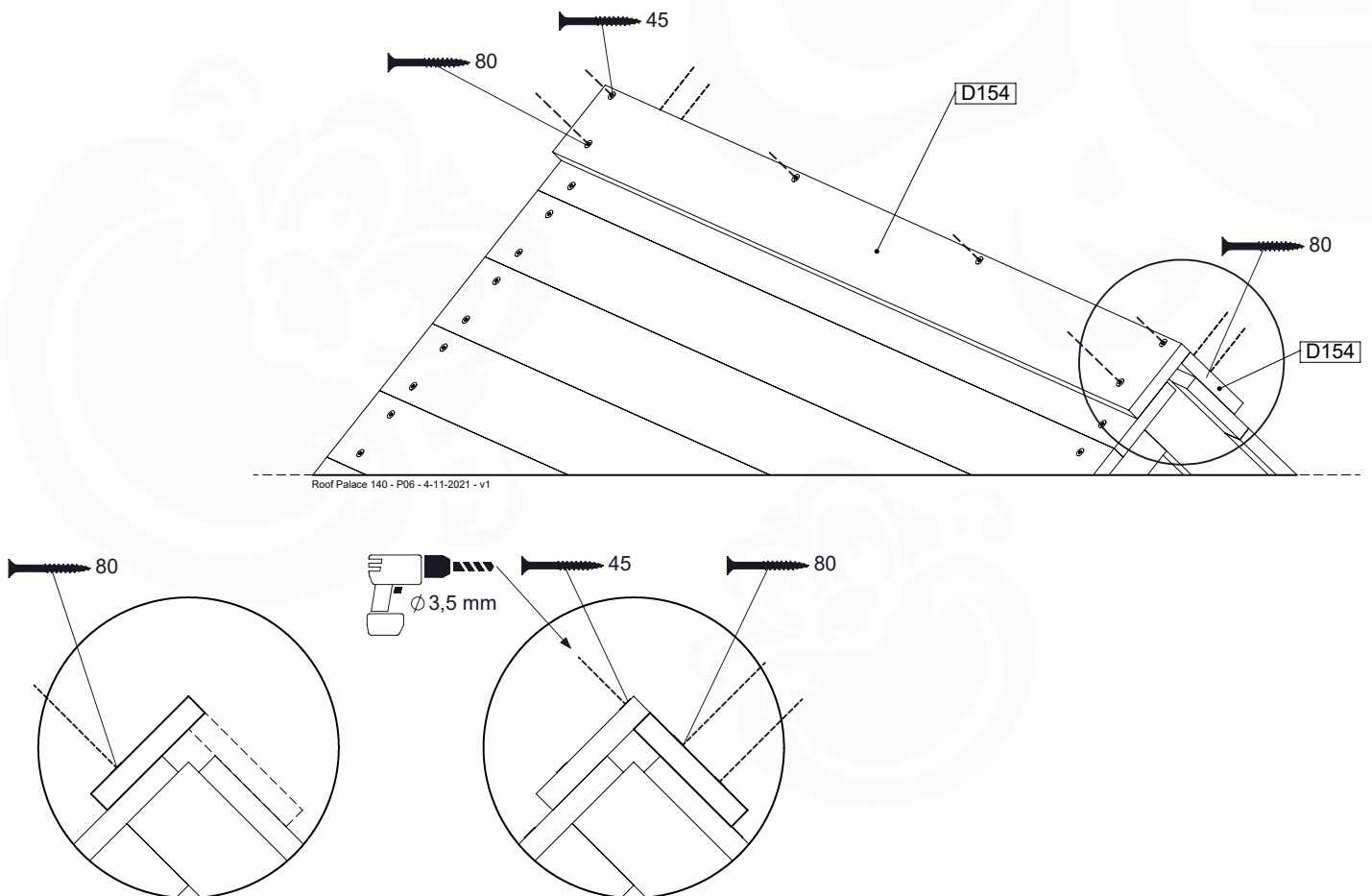
14-2



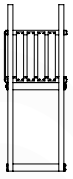
14-3



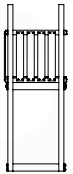
14-4



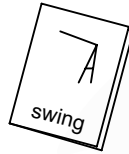
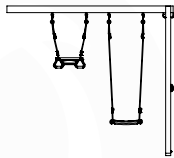
15 Swing Frame / Climb Frame



16

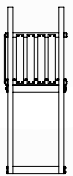


+

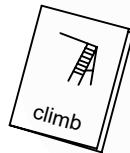
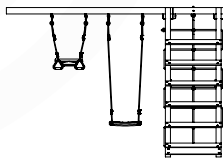


16

1-Swing Module / 2-Swing Module
457_101
457_102



+



16

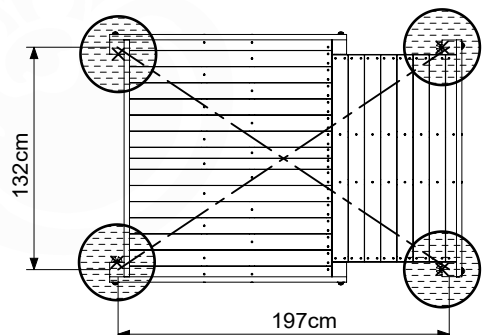
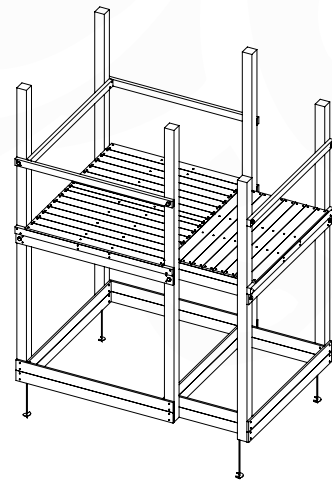
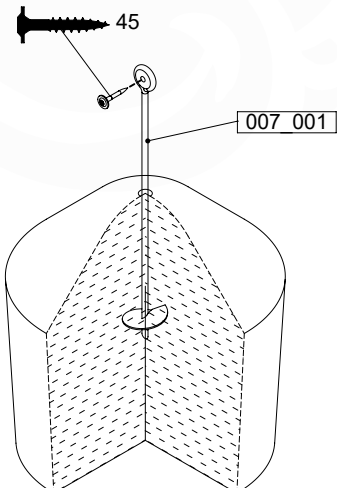
1-Climb Module / 2-Climb Module
457_105
457_106

16 Ground Anchors

GA11

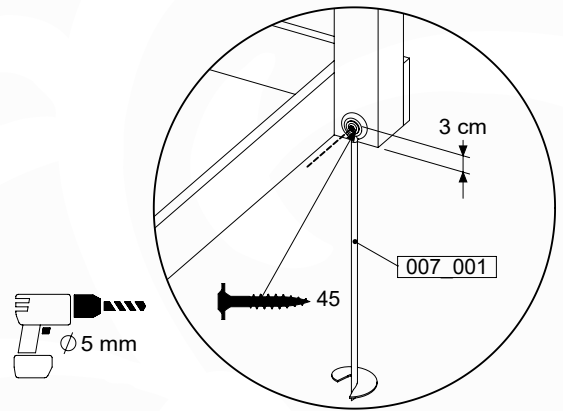
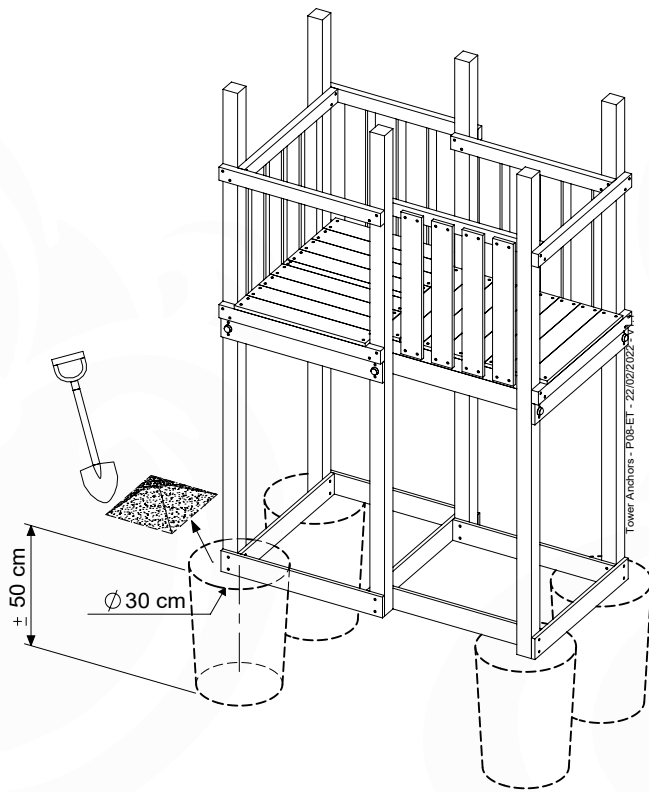
Parts:

Assembly Package Tower
194_300 + 194_600



Tower Anchors - PDS-GA11 - 22/02/2022 - V1.1

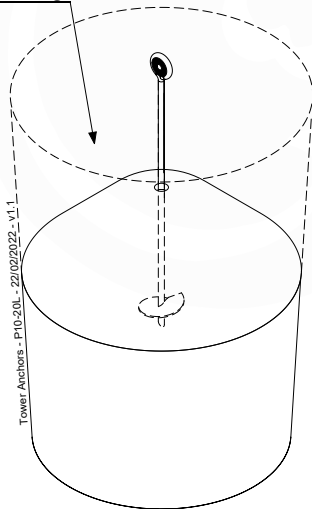
16-1



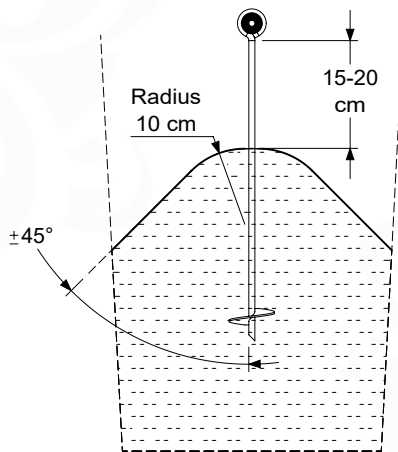
16-2



20 L
/ 40 kg



1.

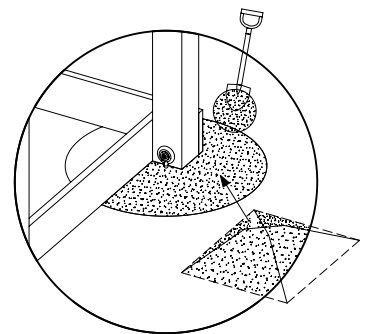


2.

24h



3.

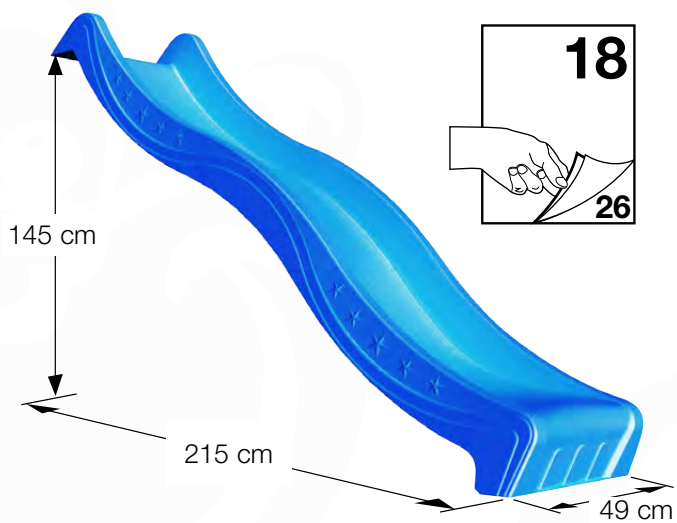


4.

17 Add-on

Wavy Star Slide XXL

- 334_100 Yellow
- 334_200 Blue
- 334_300 Green
- 334_400 Red
- 334_500 Fuchsia
- 334_600 Dark Green



Fireman's Pole

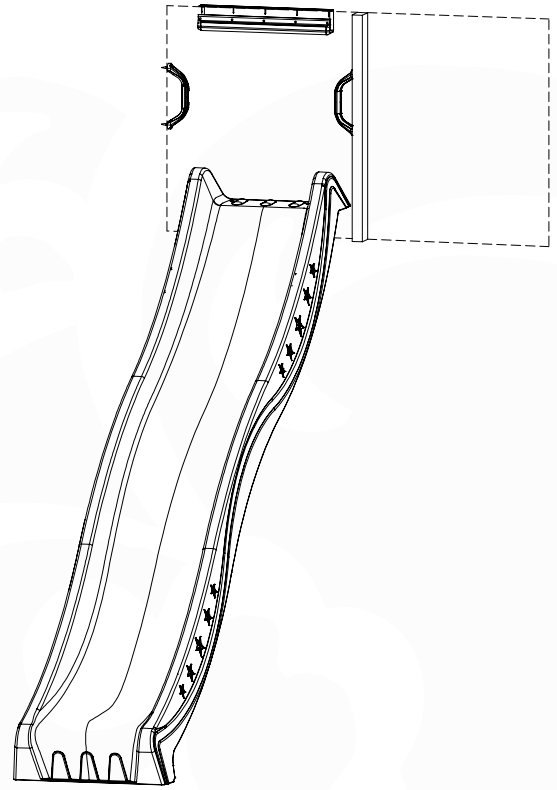
201_275



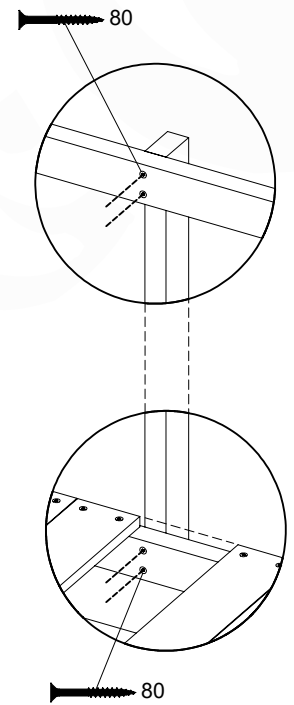
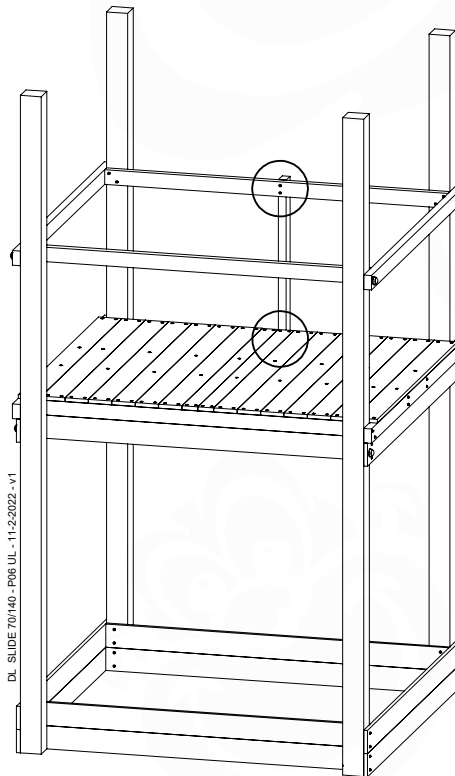
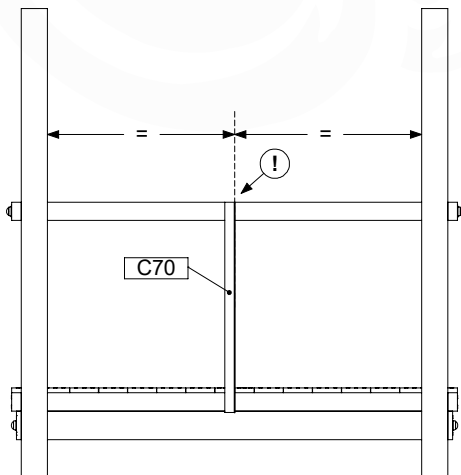
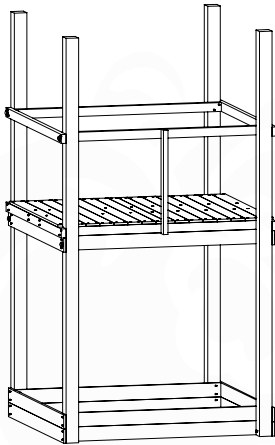
18 Slide Set

SL26

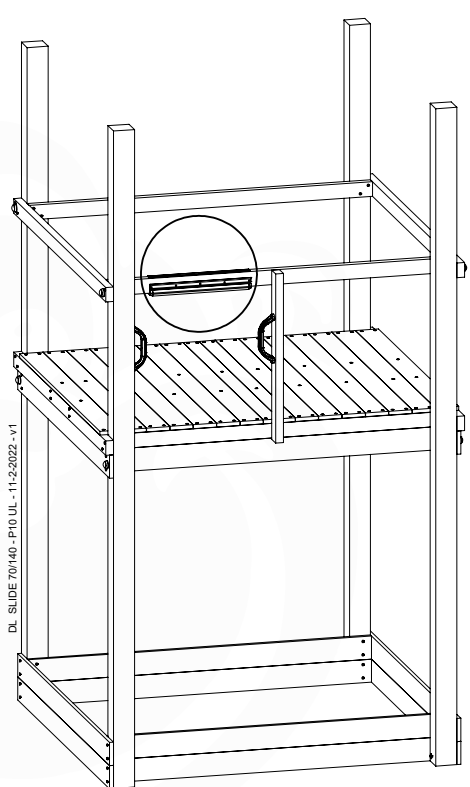
| | PartNo | PartName | QTY. |
|---------------|---------------------|---|------|
| Hardware pack | 000_101 | Nail Pan Head | 10 |
| | 002_223 | Gap Point Screw T25 - 5x80 | 4 |
| | 002_308 | Gap Point Screw T25 - 5x20 | 2 |
| Other | 120_102 | Handgrip set (complete 2x) | 1 |
| | 123_200 | Bumperpad | 1 |
| | 334_xxx /324_xxx | Wavy Star Slide XXL 2650 mm / Wavy Star Slide XL 2200 mm | 1 |
| Timber | C70 | Beam 700 mm | 1 |



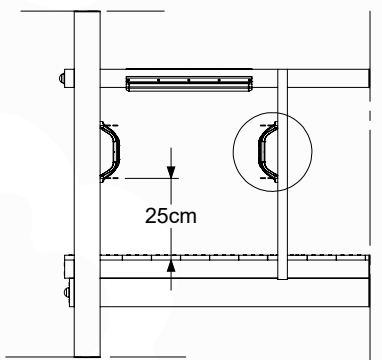
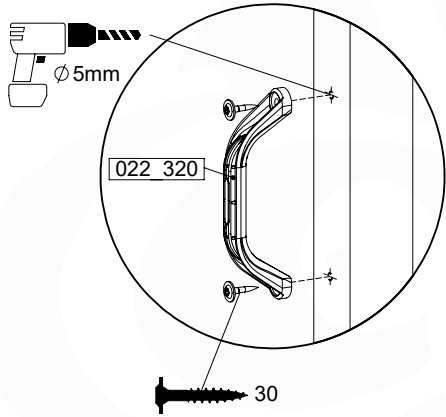
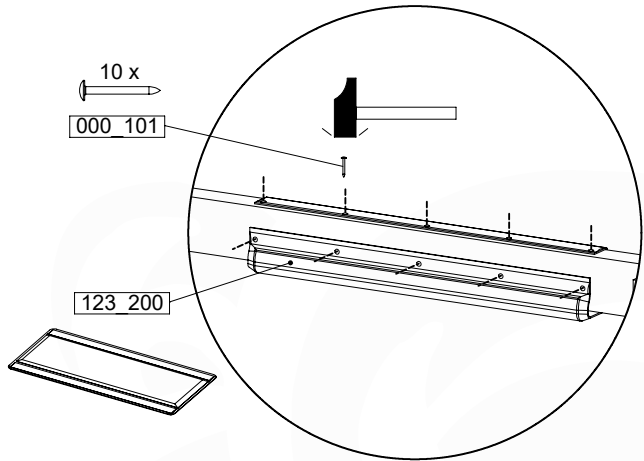
18-1



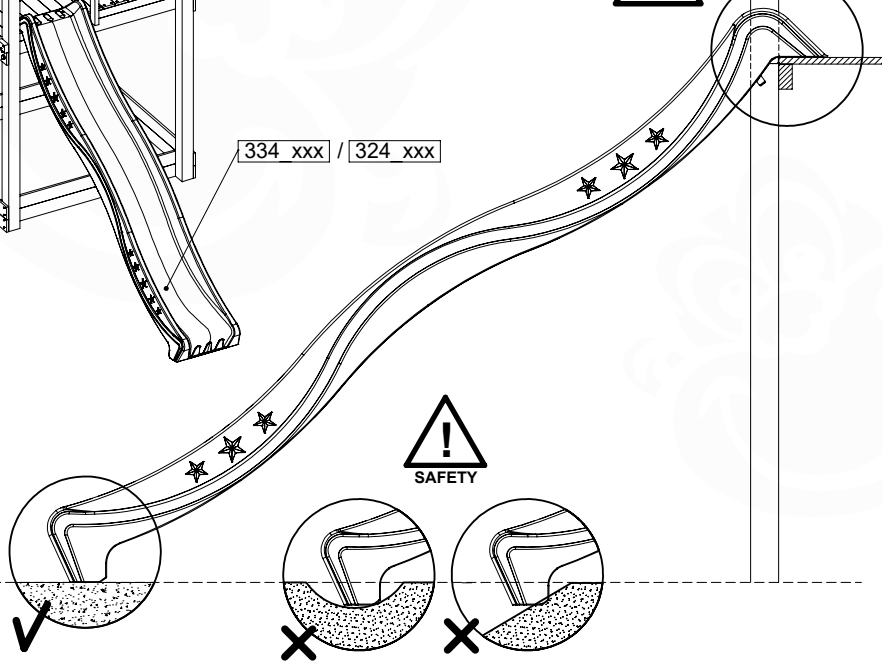
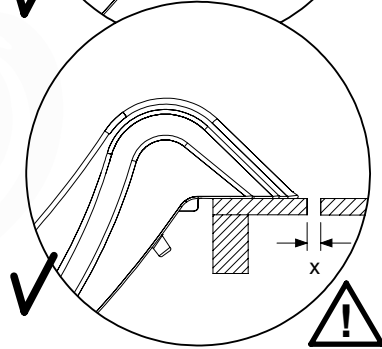
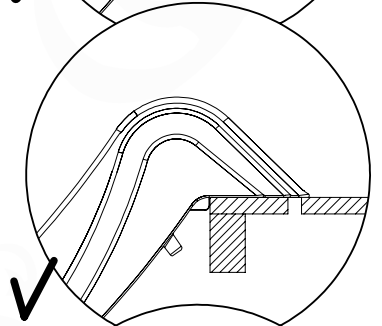
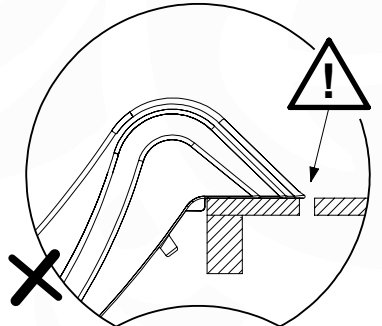
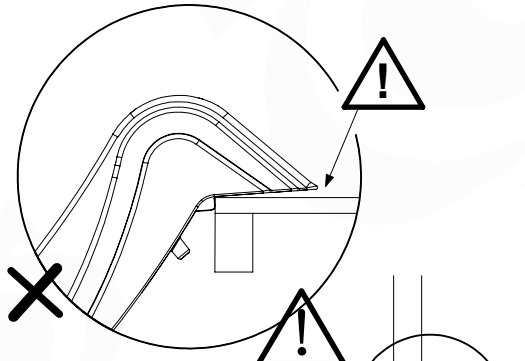
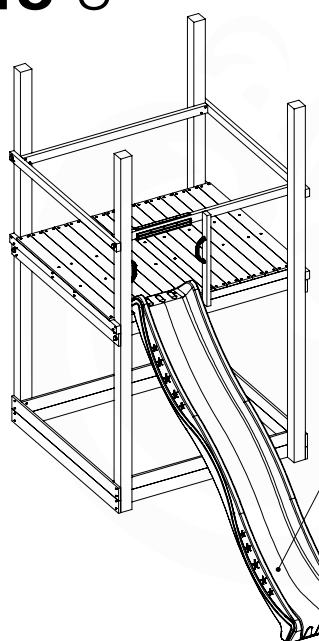
18-2



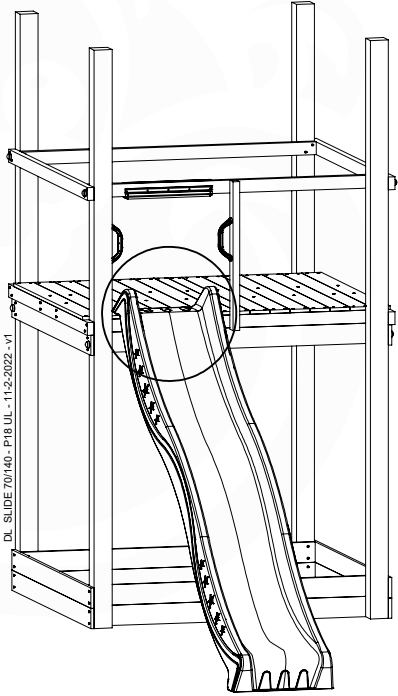
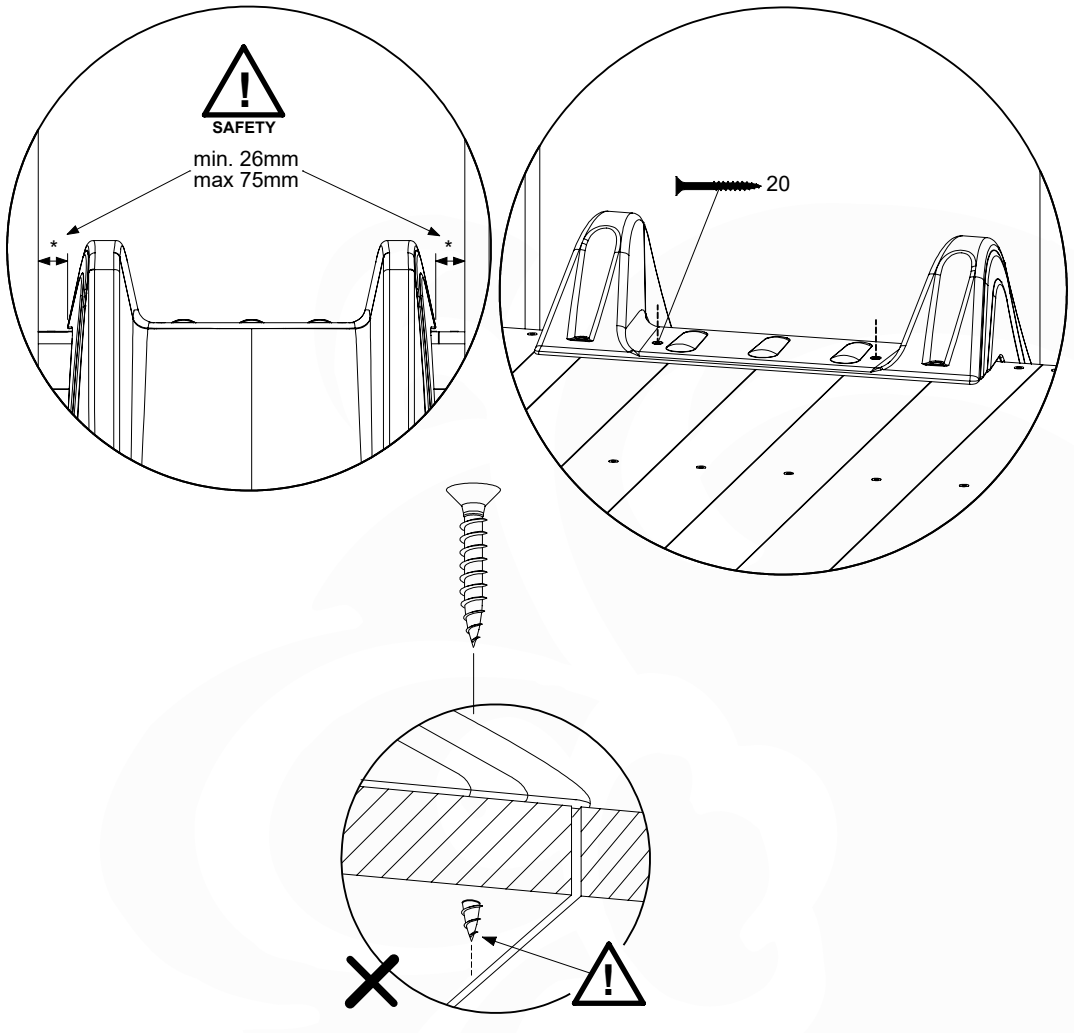
DI. SLIDE 70/140 - P10 UL - 11-2-2022 - v1



18-3

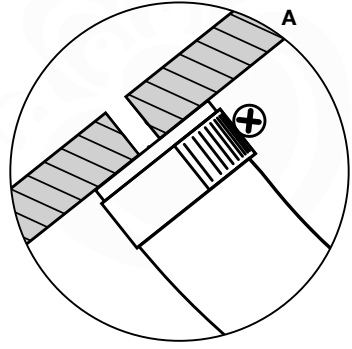
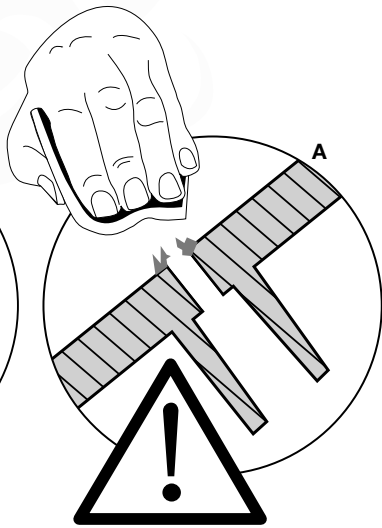
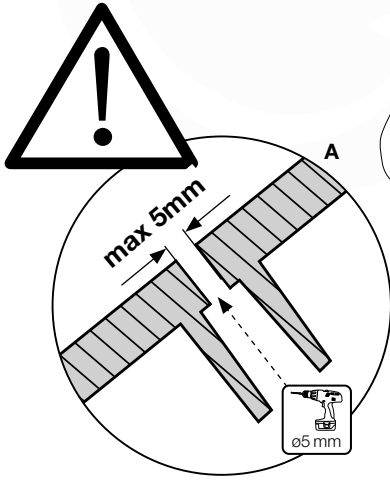
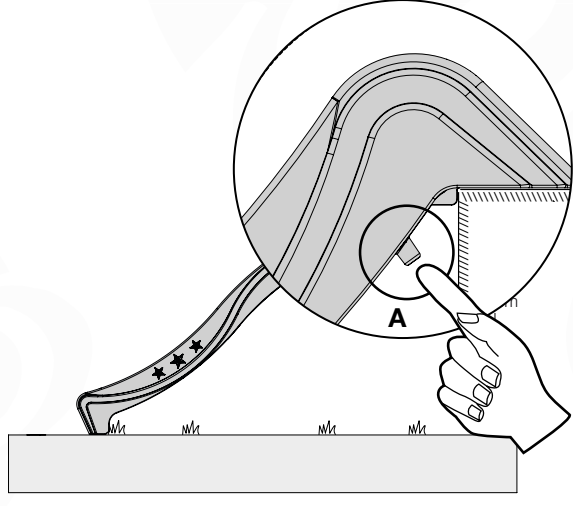


18-4



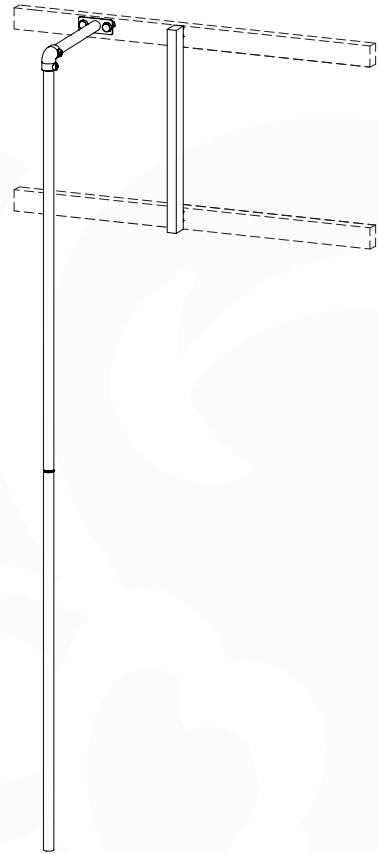
DL SLIDE 70/140 - P18 UL - 11-2-2022 - v1

18-5



19 Firemans Pole

FP25

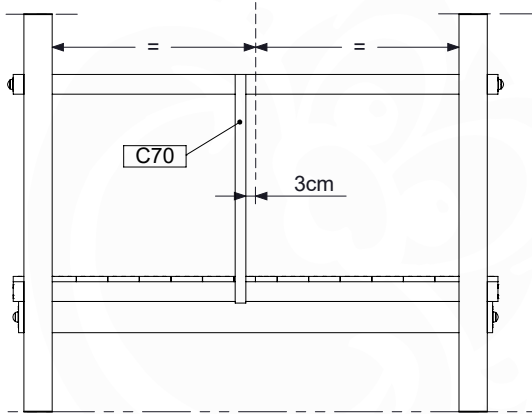


(201_275)

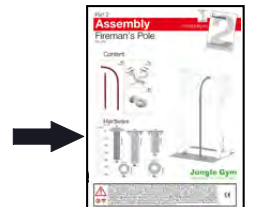
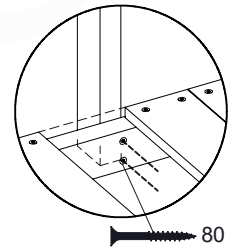
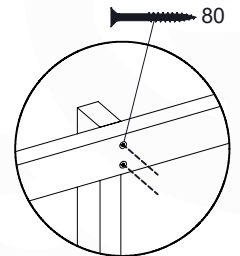
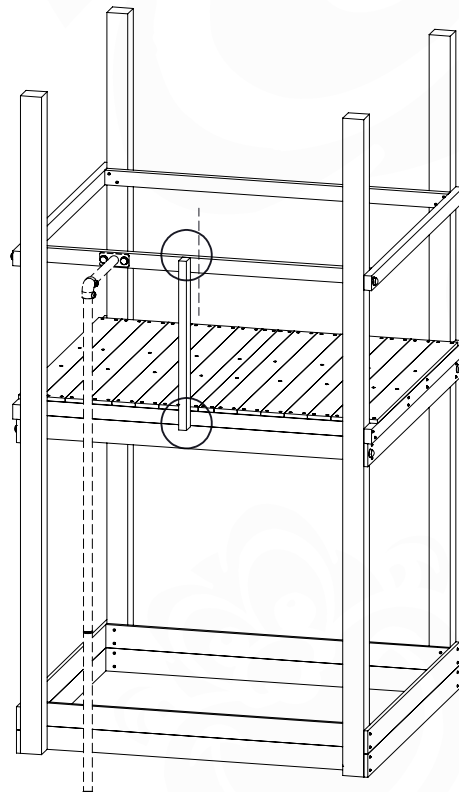
| | PartNo | PartName | QTY. |
|--------|---------|--------------------|------|
| Other | 201_275 | Fireman's Pole kit | 1 |
| Timber | C70 | Beam 700 mm | 1 |

DL_Fireman's Pole 70 - P02 UL - 6-4-2022 - v1

19-1



DL_Fireman's Pole 70 - P06 UL - 6-4-2022 - v1



**Fireman's Pole (201_275)
040_335 Part 2**

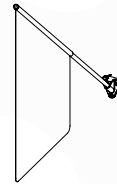
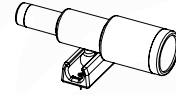
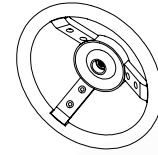
20 Accessories

AC01

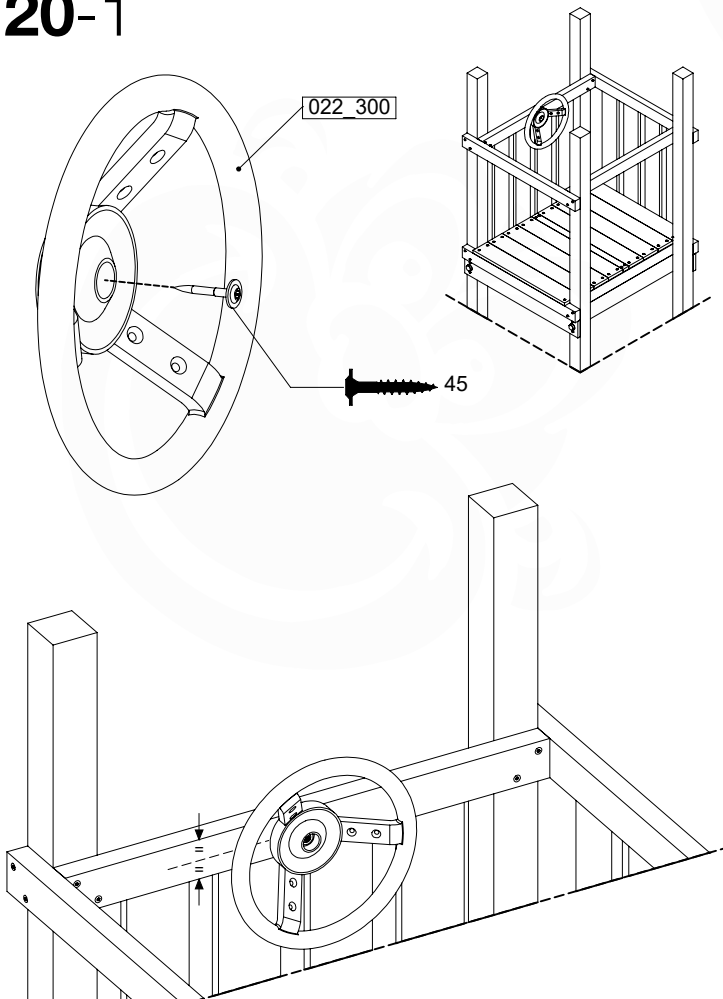
(194_119)

| | PartNo | PartName | QTY. |
|--------------------------|---------|-----------------------------|------|
| Hardware Pack 100_617 | 001_406 | Stealth Screw 8x45 | 1 |
| | 002_041 | Dome head screw 4.5 x 20 mm | 3 |
| | 002_042 | Dome head screw 3.5 x 13mm | 4 |
| | 002_219 | Gap Point Screw T25 - 5x30 | 2 |
| Other | 022_300 | Steering Wheel | 1 |
| | 022_800 | Rail P/T 105 | 1 |
| | 022_910 | Sandpad | 1 |
| | 103_901 | Logo ID Plate | 1 |
| | 104_107 | Tool Set Climbing Units | 1 |
| | 120_024 | Tower Flag | 1 |
| | 122_302 | Telescope | 1 |

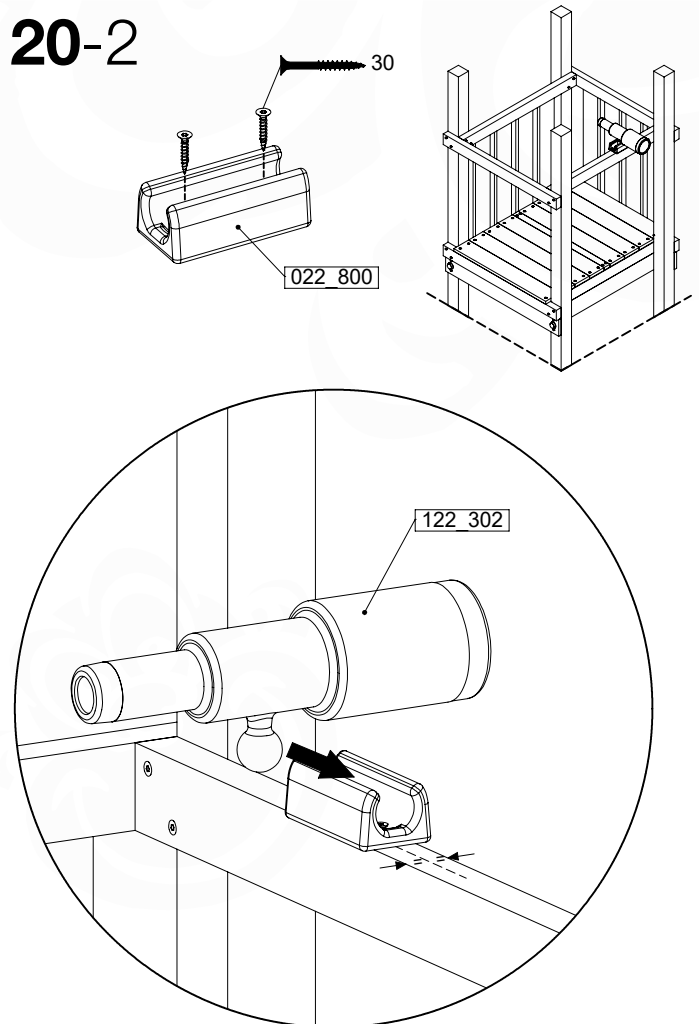
Accessory set - P02 - 29-9-2021 - v4



20-1

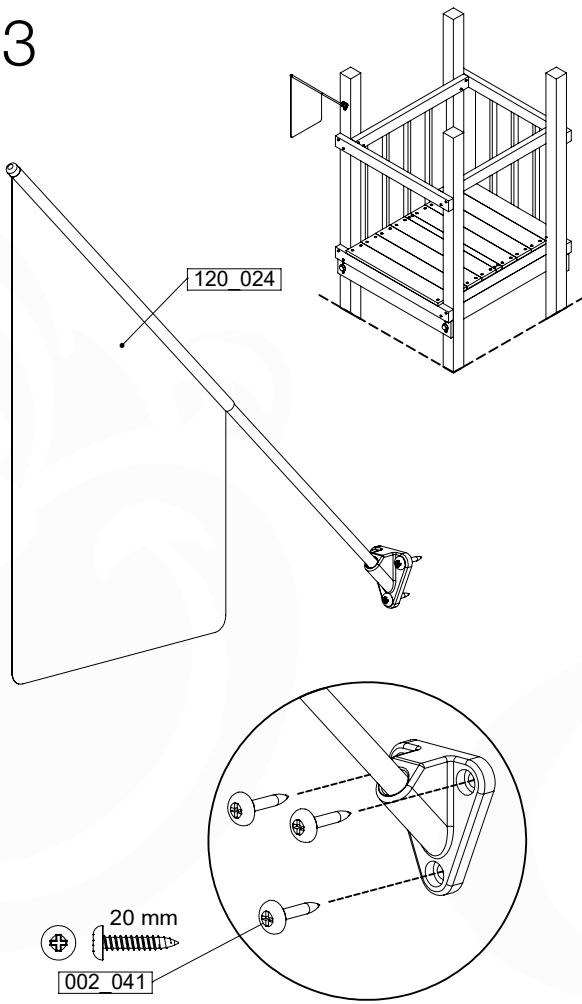


20-2

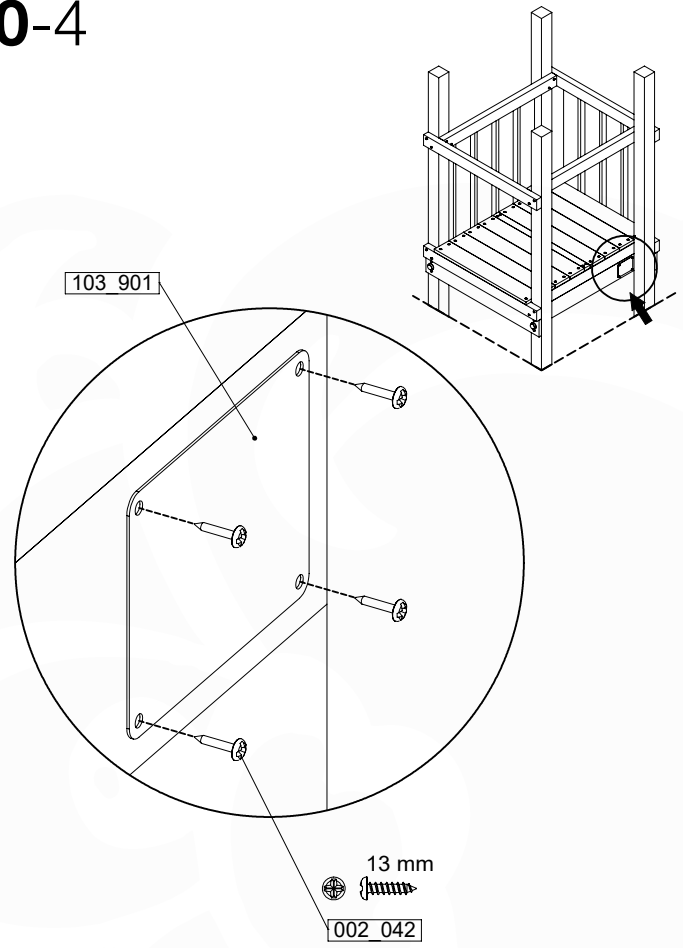


Accessory set - P03 - 29-9-2021 - v4

20-3



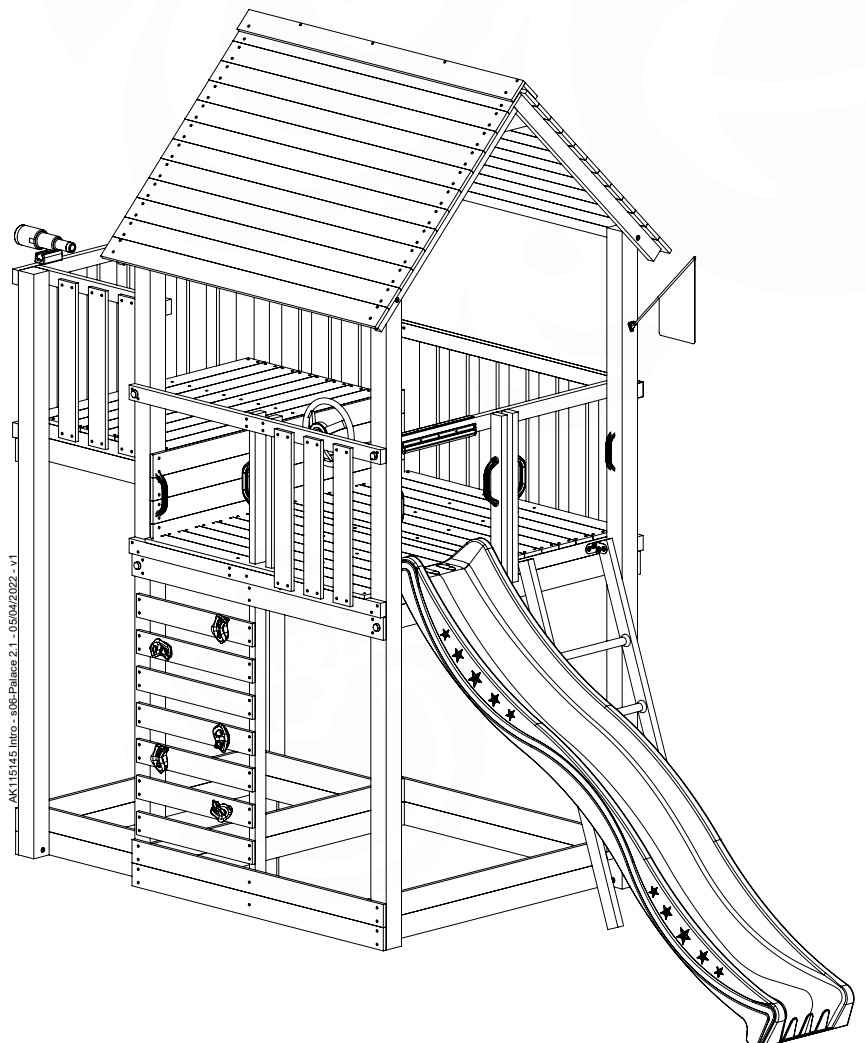
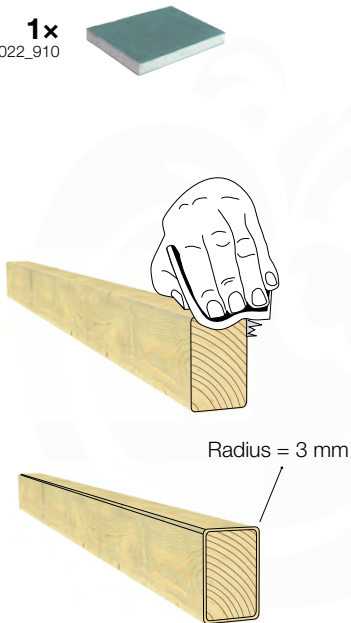
20-4



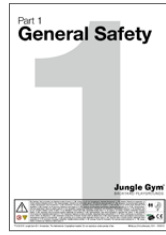
Accessories set - P04 - 29.9.2021 - v4

20-5

1x
022_910



21 Download and Saving

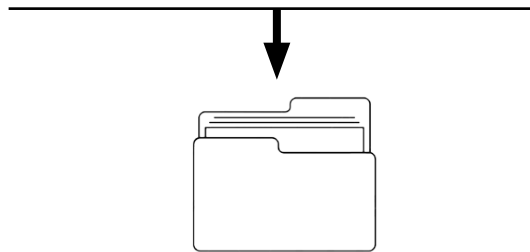


+



click to download

sent to your email



Declaration of Conformity

Jungle Gym

BACKYARD PLAYGROUNDS

since 1988

Manufacturer details

Company Name

Jungle Gym B.V.

Tag-line

Backyard Playgrounds

Address

P.O. Box 75083, 1070 AB Amsterdam, Netherlands

Activity toys for domestic use

Product Range Identification

Sub-Assembly

Universal Packs / Base Towers / Extension Towers / Roofs / Means of Exit/Access / Add-ons : 790_001 ... 794_911

Assembly

Playtowers : 801_005 ... 200

Links : 870_100 ... 105

Accessories : 123_220 ... 250_075

Playhouses : 830_150 ... 253, 835_251 ... 253

Swings : 801_300, _600, _601

Slides (XL) : 324_100 ... 600

Modules : 850_180 ... 415

Slides (XXL) : 334_100 ... 600

: 857_103, 857_108

Playtowers : 802_202 ... 208

857_151, 857_158

803_202 ... 210

809_202 ... 804

Applicable EC directives and standards

Chemical References

1. Migration of certain elements (17x + Chr VI + tin) as required in TSD 2009/48/EC and its amendments. Scrape off toy material. Tested according to EN 71-3:2019.
2. Migration of solvents, monomers and plasticizers as specified in "Safety for Toys: Organic Chemical Compounds", EN 71-9: 2005 + A1: 2007. Tested according to EN 71-10: 2005 & EN 71-11: 2005.
3. Content of N-nitrosamines and N-nitrosatable substances as specified in EN standard 71-12: 2013. Tested according to EN 71-12: 2013.
4. Content of 18 PAHs (Polycyclic Aromatic Hydrocarbons) as referred in AfPS GS 2014:01 PAK (Replaced on 2019:01). Tested according to QMA 2011.1284
5. Content of 7 Phthalates (18x) according to REACH (EG) no.1907/2006, Annex XVII. Tested according to COC-CH-C1011-09.3 and EN 15777 / QMA 2011.1300
6. Content of Cadmium according to REACH (EG) no. 1907/2006, Annex XVII. Tested according to EN 17294-2
7. Formaldehyde according to REACH (EG) no. 1907/2006, Annex XVII. Tested according to EN 14184
8. Azo dyes according to REACH (EG) no. 1907/2006, Annex XVII. Tested according to BVL B 82.02-2.
9. Content of 3 Flame retardants according to REACH (EG) no. 1907/2006, Annex XVII. Tested according to EN 62321-6.
10. NI release according to REACH (EG) no. 1907/2006, Annex XVII. Tested according to EN 71-3:2013+A1:2014.
11. Sweat and Salvia resistance tested according to DIN 53160

Mechanical physical properties + flamability

EN 71 - 1 : 2014 + A1: 2018 EN 71 - 2 : 2011 + A1: 2014 EN 71 - 8 : 2018

Supplementary information

Conformity to the above specified directives and standards has been frequently verified and is continuously monitored by TÜV Süd, TÜV Rheinland LGA products, DEKRA (DE), STR Ltd (UK), LNE SA (FR), LMR Ltd (US) and IPS N.V. (BE) since 1994. Jungle Gym participates in the European Commission for standardisation for the safety of activity toys (TC52 / WG 10).

Declaration

I hereby declare under our sole responsibility that the products mentioned above, to which this declaration relates, complies with the above mentioned directives and standards.



Name

Mr. P. Schmit / Director

Issued date

Januari 2nd, 2023

Signature of representative

Construction Packages (Assembly)

Playtowers



S
Single

Jungle Tower
801_200



S
Single

Jungle Patio
802_202



S
Single

Jungle Cocoon
802_204



S
Single

Jungle Cirque
802_206



S
Single

Jungle Totem
802_208



S
Duo

Jungle Nomad
803_202



S
Duo

Jungle Safari
803_204



S
Duo

Jungle Viking
803_206



S
Duo

Jungle Teepee
803_208



S
Duo

Jungle Resort
803_210



S
Combo

Jungle Explorer
809_802



S
Combo

Jungle Voyager
809_804



M
Single

Jungle Castle
801_120



M
Single

Jungle Club
801_110



M
Single

Jungle Casa
801_105



M
Single

Jungle Home
801_103



M
Single

Jungle Hut
801_100



M
Single

Jungle House
801_095



L
Single

Jungle Cottage
801_090



L
Single

Jungle Cabin
801_060



L
Single

Jungle Lodge
801_040



L
Duo

Jungle Cubby
801_070



L
Duo

Jungle Mansion
801_009



XL
Single

Jungle Sierra
801_025



XL
Single

Jungle Fort
801_010



XL
Duo

Jungle Chalet
801_013



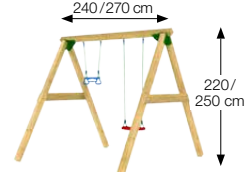
XL
Duo

Jungle Palace
801_005

Swings



Jungle Peak
801_300



Jungle Swing
801_601/602



1-Swing Module 200
857_101



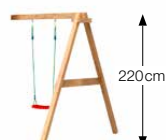
2-Swing Module 200
857_102



1-Climb Module 200
857_105



2-Climb Module 200
857_106



1-Swing Module 220
857_151



2-Swing Module 220
857_154



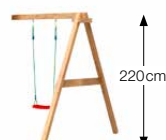
1-Climb Module 220
857_157



2-Climb Module 220
857_158



Bridge Module
850_240



1-Swing Module 220 Extra
850_176



2-Swing Module 220 Extra
850_177



1-Climb Module 220 Extra
850_231

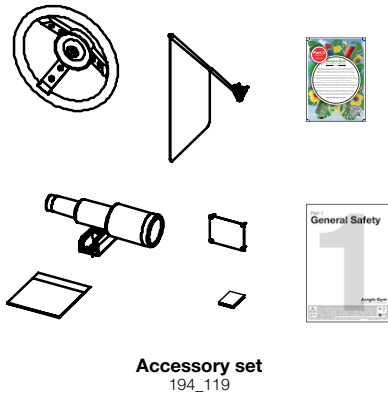


2-Climb Module 220 Extra
850_232

Modules

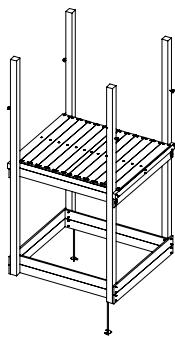
Construction Packages (Sub-Assembly)

Universal Packs (AC)



Accessory set
194_119

Base Towers (BT)

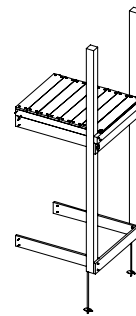


Tower 80
790_001
790_002
790_003
790_005

Tower 115
792_001
792_002
792_003

Tower 140
794_001

Extension Towers (ET)

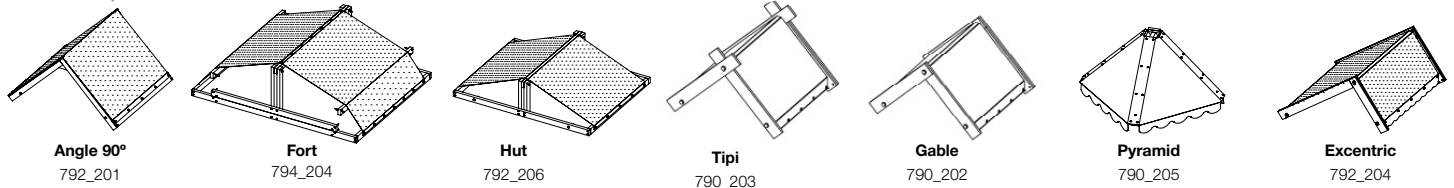


Tower 80 **Tower 140**
790_101 794_102
790_102 794_103
794_104

Tower 115
792_101 794_105
792_102 794_106
792_103 794_108
792_104 794_109
792_105 794_110
792_106
792_107
792_108
792_109
792_110
792_111
792_112
792_113
792_114

Roofs (RF)

Roof tarp



Angle 90°
792_201

Fort
794_204

Hut
792_206

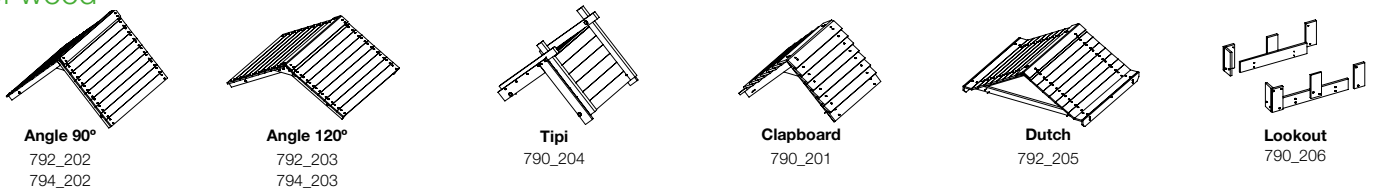
Tipi
790_203

Gable
790_202

Pyramid
790_205

Excentric
792_204

Roof wood



Angle 90°
792_202
794_202

Angle 120°
792_203
794_203

Tipi
790_204

Clapboard
790_201

Dutch
792_205

Lookout
790_206

Means of Exit/Access



Bridge Frames
BF
792_602
794_602

Balustrades
BL
790_301
792_301
794_301
794_302

Slides
SL
790_901
792_901
792_902
792_903
794_901

Firemans Poles
FP
790_903
792_911
792_912
792_913
794_911

Ladder
LA
790_433
790_434
792_431
792_432
794_431
794_432

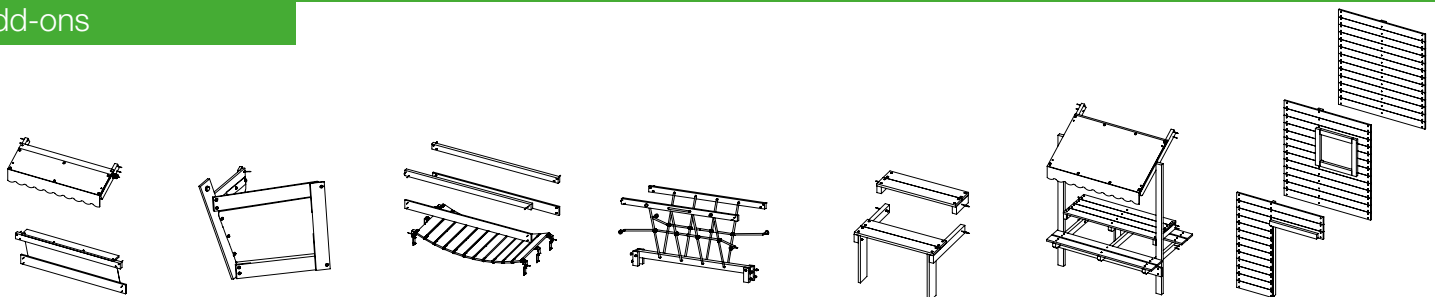
Two Step Ladder
TS
790_413
790_414
792_411
792_412
794_411
794_412
794_414

Rope ladder
RL
790_421
792_421
792_422
794_421

Rock wall
RW
790_403
790_404
792_401
792_402
794_401
794_402

Ramp
RA
790_441
792_441
794_441

Add-ons



Market
MT
790_502
792_502
794_502

Boat front
BO
790_501

Clatter bridge 80
CB
790_601

Net bridge 80
NB
790_611

Picnic 80
PC
790_503

Picnic 115/140
PC
792_503
794_503

Playhouse panels
PH
790_311 794_311
792_313 794_312
792_311 794_313
792_312 794_314
792_313
792_314

Construction Packages (accessorie-assembly)

Imagination



Steering Wheel Yellow
201_280



Fun Phone
201_285



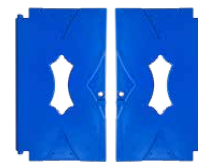
StarOscope™
201_290



Steering Wheel Boat
202_473



PeekOscope™
201_295

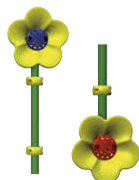


Shutters 2x blue
250_075



Tic Tac Toe
450_310

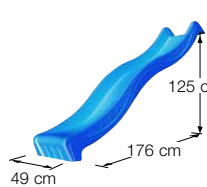
Bucket
450_320



Talking Tube™
450_330

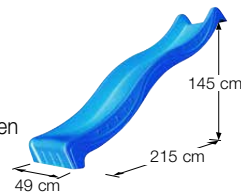
Wavy Star Slide XL

- 324_100 Yellow
- 324_200 Blue
- 324_300 Green
- 324_400 Red
- 324_500 Fuchsia
- 324_600 Dark Green



Wavy Star Slide XXL

- 334_100 Yellow
- 334_200 Blue
- 334_300 Green
- 334_400 Red
- 334_500 Fuchsia
- 334_600 Dark Green



Swinging



Sling Swing Kit Yellow
250_001



Monkey Bar Kit Blue
250_013



Baby Swing Kit Red
250_025



Swing Seat Kit Red
250_034



Twist Disk Kit Green
250_053

Climbing



AP Two Step Ladder 80
194_102



AP Step Ladder 80_125
194_103



AP Step Ladder 80_145
194_104



AP Rock-Wall 80_125
194_105



AP Rope Ladder
194_115



AP Clatter Bridge
194_116



Climbing Rope
201_060



Fireman's Pole
201_275



Gymnastics bar
201_273

Functional



Canvas blue/green
123_220 ±136x 74cm
123_222 ±185x120cm



Mesh green
123_230



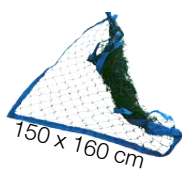
Swing Hook Screw 2x
201_115



Bolt Caps 10x / 40x
White □ 202_620 202_629
Yellow ■ 202_621 202_625
Blue ■ 202_622 202_626
Green ■ 202_623 202_627
Red ■ 202_624 202_628



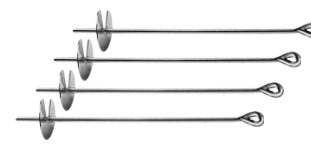
Bumper Pad (2pcs)
202_824



Cat Stop™
201_220



Handgrips
■ 201_250 Yellow
■ 201_260 Blue
■ 201_270 Green



Ground Anchors
250_070