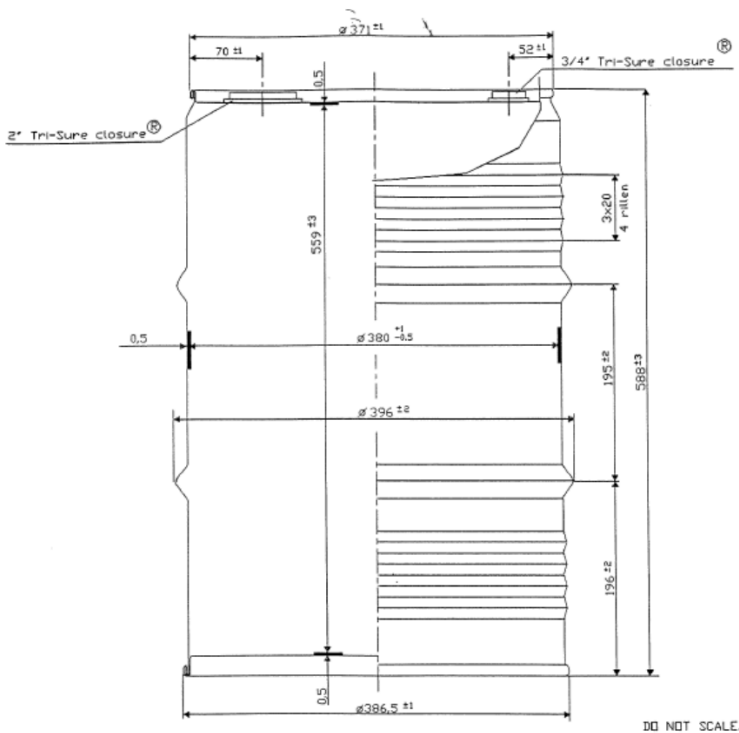


PRODUCT DATASHEET

TH 60L. Drum



Item number	10601-3C
Volume	60,0 L
Material	Low carbon steel
UN approval	UN1A1/Y1.2/150/NL/TCPI-GEFNL02-2199
Weight	4,2 kg
Inner coating	RDL 44
Gauge (mm)	0,50 mm
Bung	G2" + G3/4" Tri-sure closure
Gasket in bung	EPDM
Outer diameter	$\varnothing 396,0$ mm (+/- 2,0 mm)
Height, H	588,0 mm (+/- 3,0 mm)
Colour	RAL5010 Blue
Food	Yes
Qty./pallet	32 pcs. (100 x 120 x 245 cm)
Other	Can be delivered with print, but subject to minimum order quantity