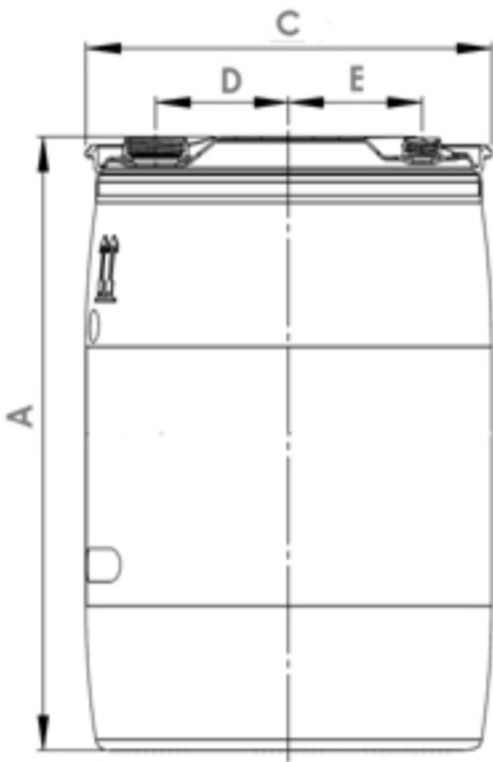


# PRODUCT DATASHEET

## TH 120L. Drum



<b>Item number</b>	<b>41201-1</b>
<b>Volume, nominal</b>	120,0L.
<b>Volume, Brimful</b>	124,0L.
<b>UN approval</b>	UN1H1/Y1.9/200/..D/BAM10061
<b>Material</b>	HDPE
<b>Food</b>	No
<b>Weight</b>	5,5 kg.
<b>Outer diameter, D</b>	Ø493 mm
<b>Height, H</b>	745 mm
<b>Bung 1</b>	70 x 6
<b>Bung 2</b>	38 x 6
<b>Colour</b>	Blue
<b>Qty./pallet</b>	15 pcs. (100 x 120 x 250 cm)