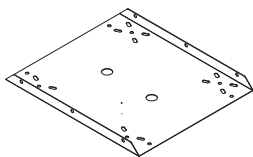
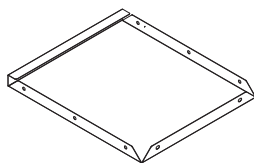


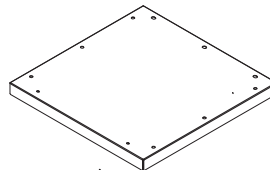
A x1



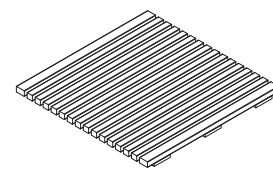
B x1



C x2



J x1



K x1



D x22



E x22



F x30



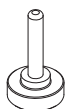
L x6



M x6



N x3



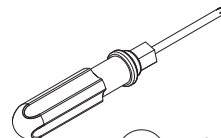
G x4



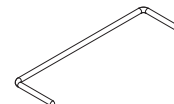
H x1



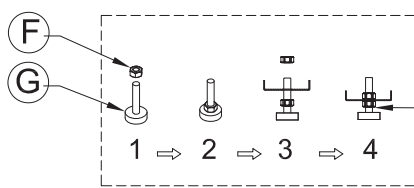
I x1



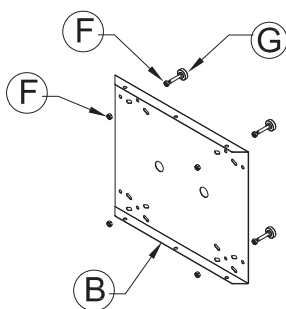
O x1



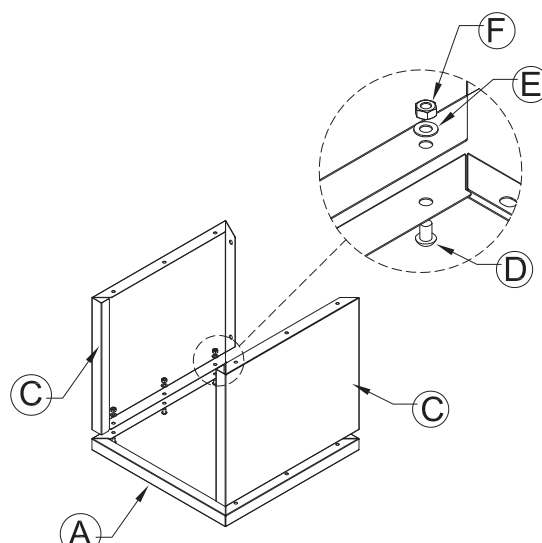
P x1



Thread the lower nut to adjust feet height



1



2

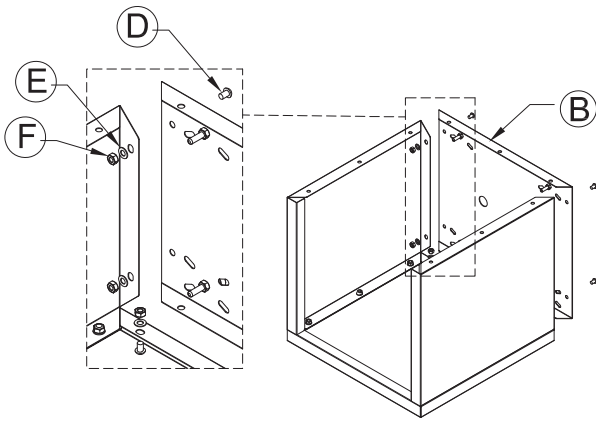
# Metal Planter

**Herstera Garden S.L.**

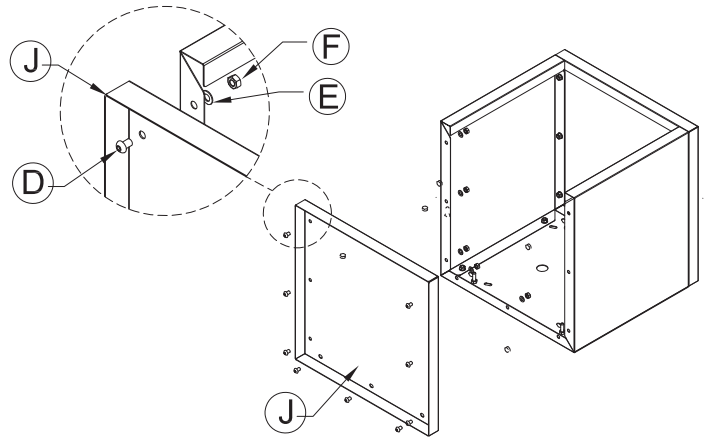
Barcelona, Spain  
[www.herstera.com](http://www.herstera.com)



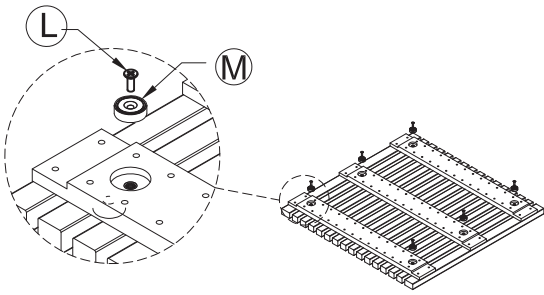
herstera



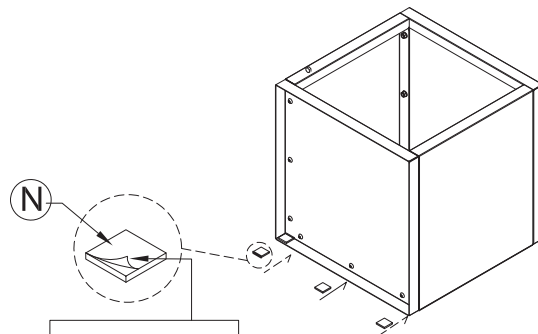
3



4

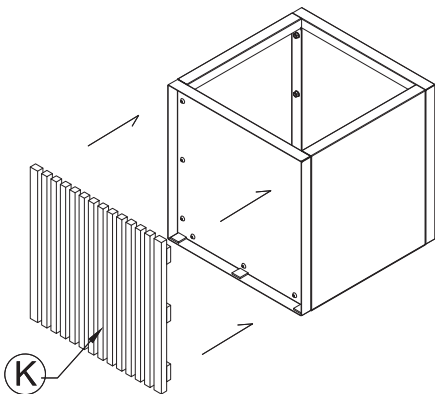


5

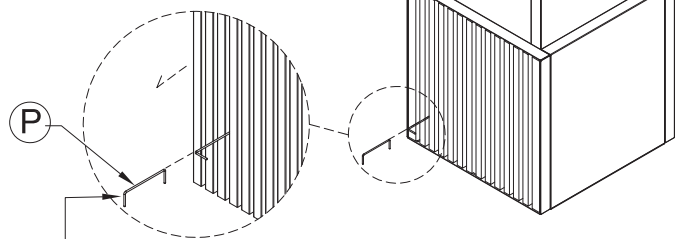


Tear off the paper and stick it on the bottom

6



7



Use the hook to remove the panel

8

**Herstera Garden S.L.**

Barcelona, Spain  
[www.herstera.com](http://www.herstera.com)