

M8x20
6x



6,0x16
6x



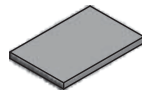
M6x12
8x



6,4x12x1,5
8x

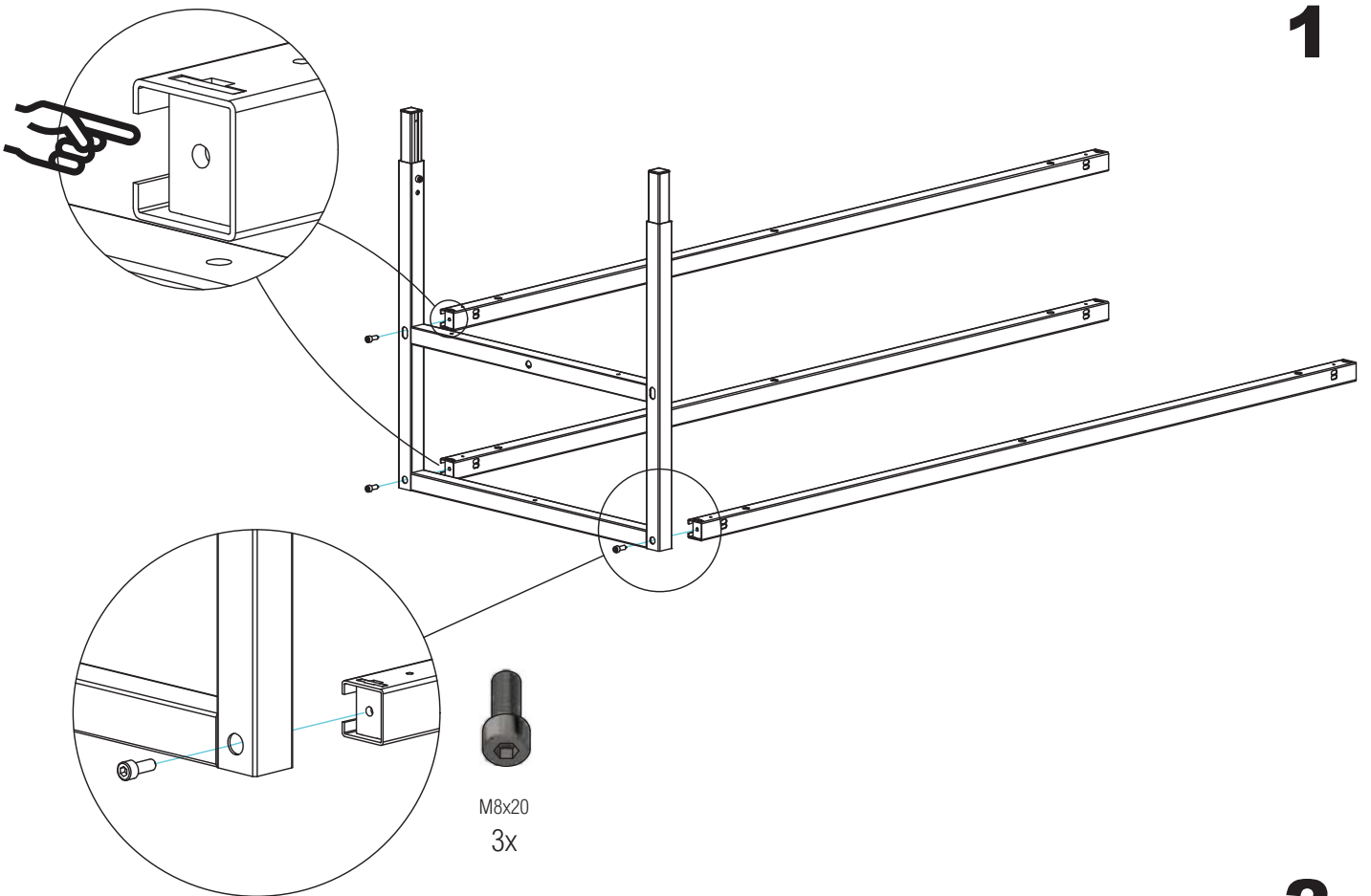


M6
8x

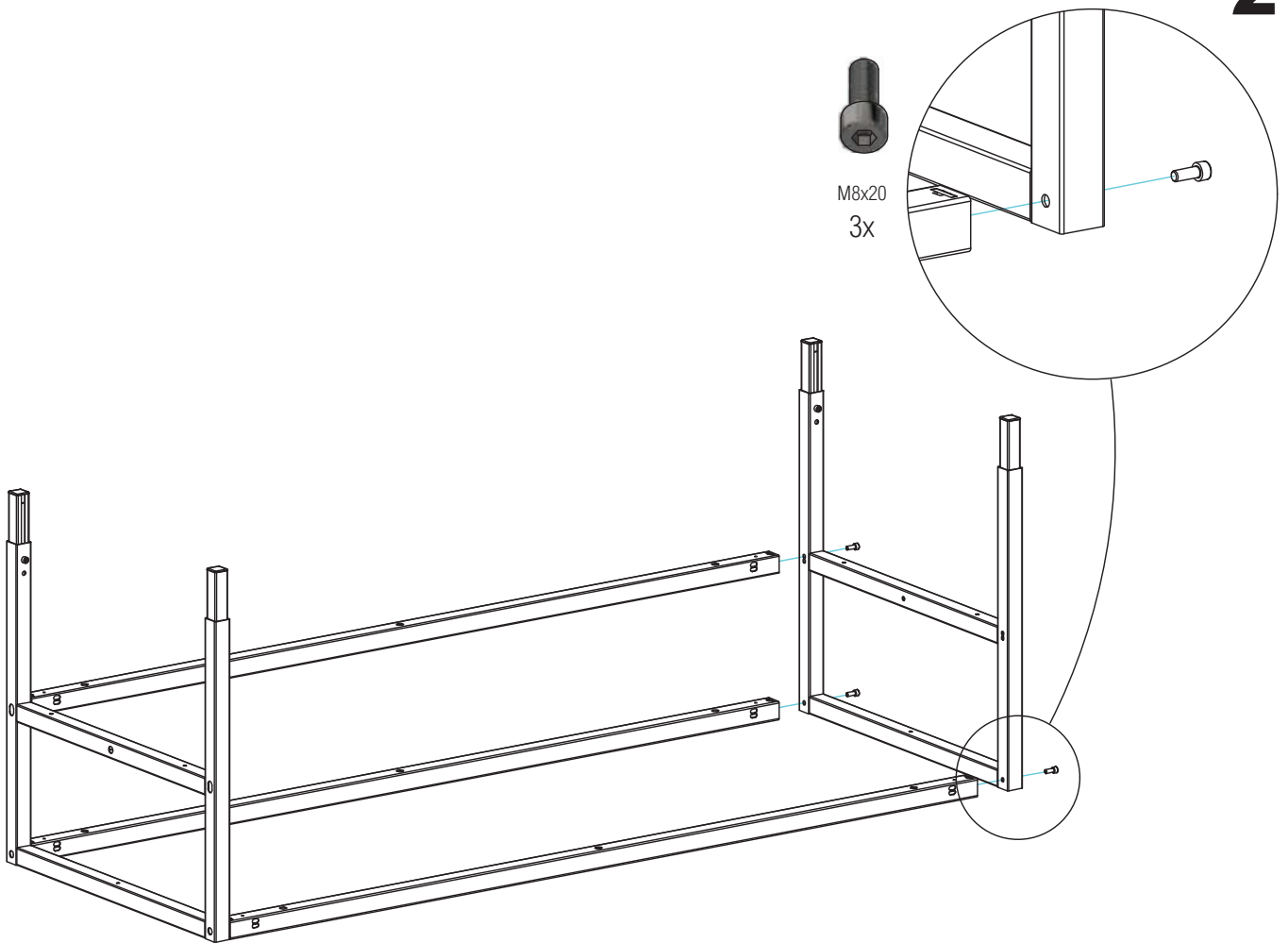


Dubbelhäftande Tejp
4x

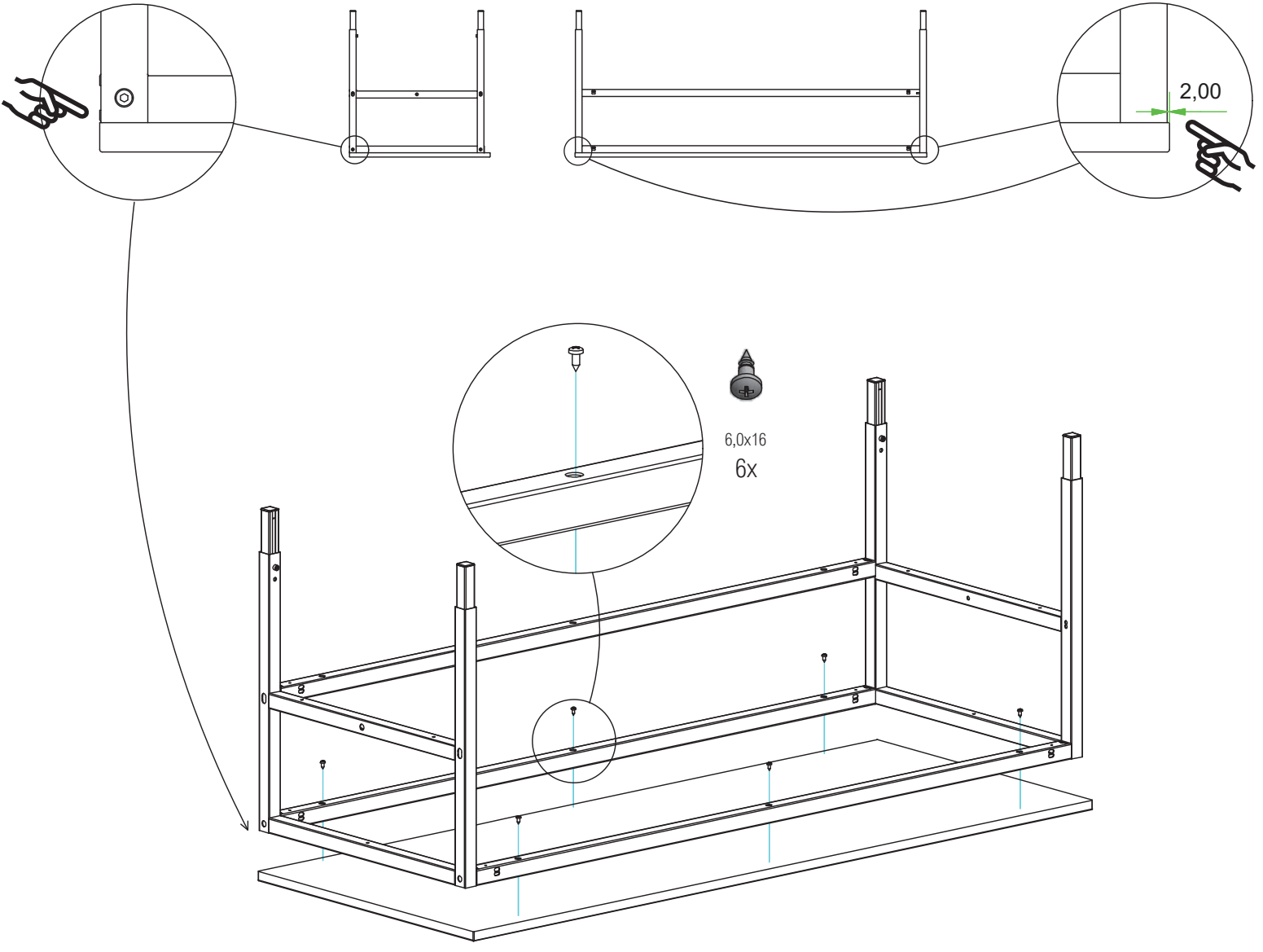
1



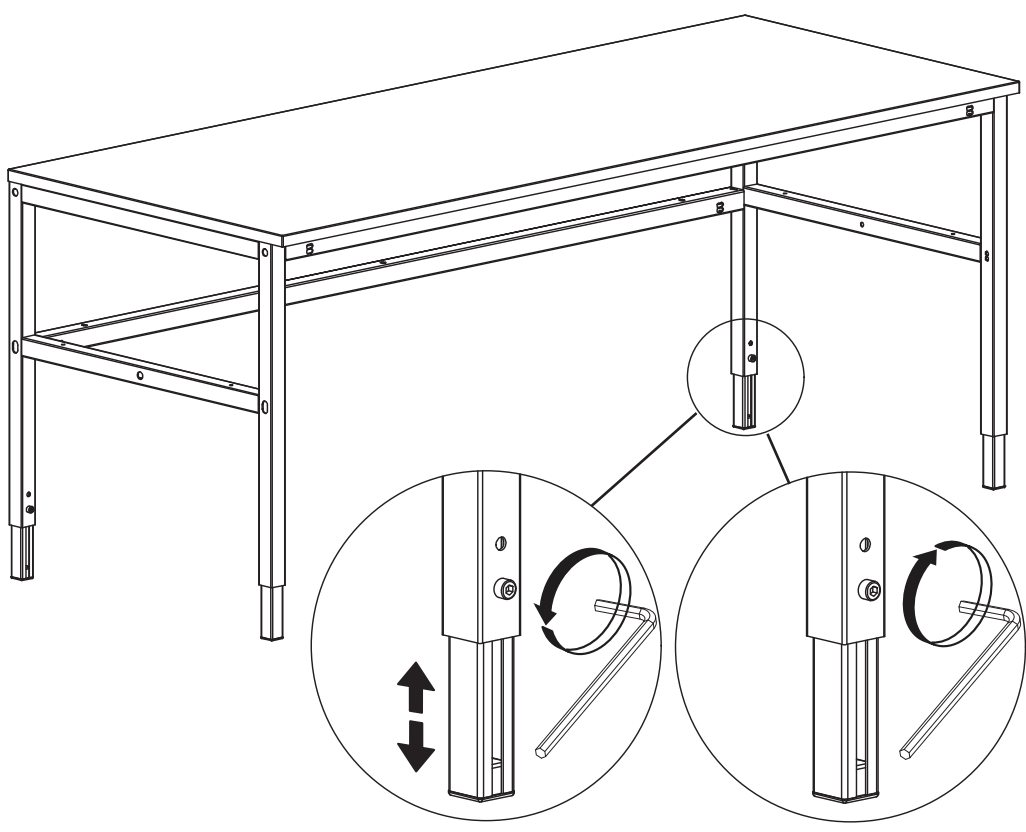
2

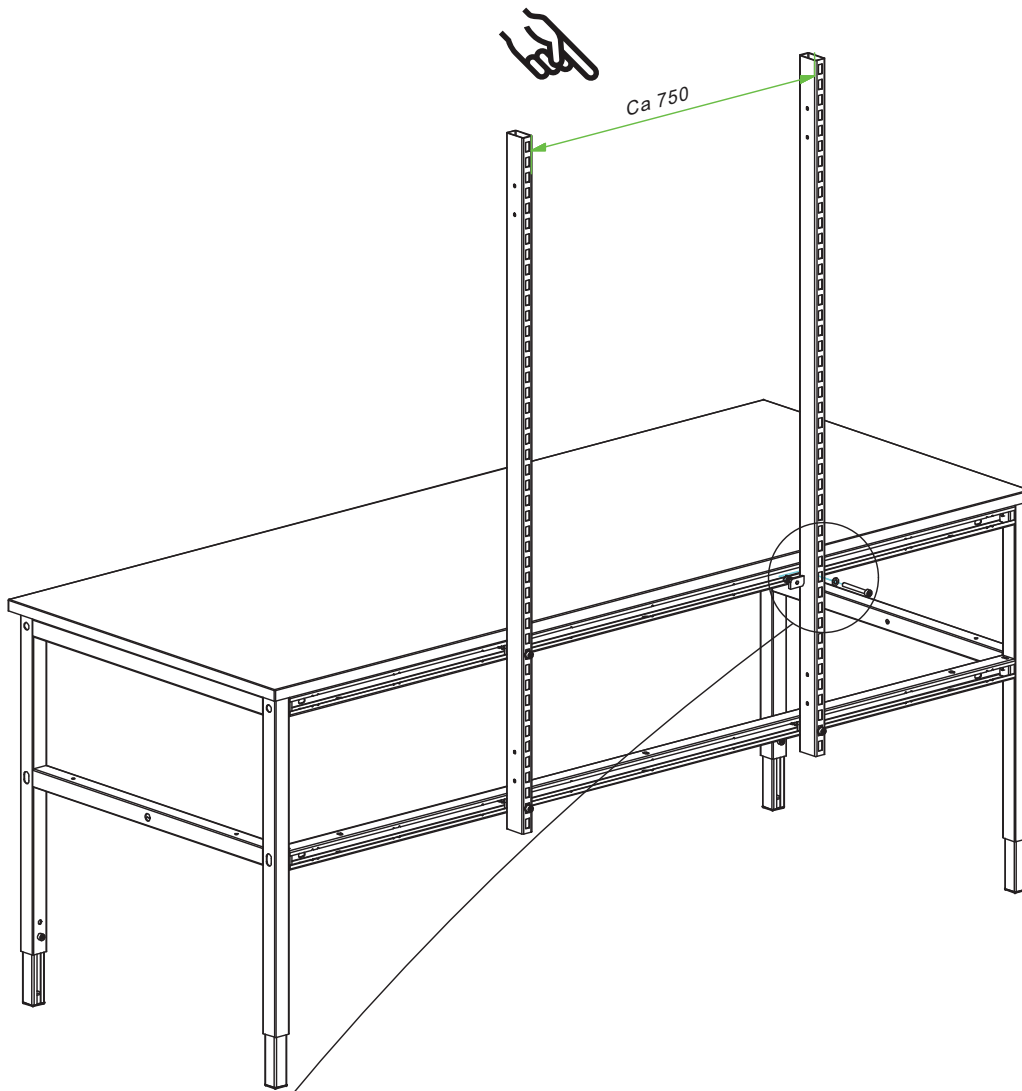


3

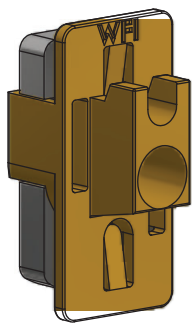


4





5



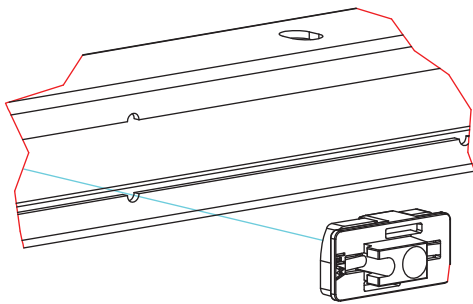
See mounting instructions for art
3-250-0 on next page.

3-250-0

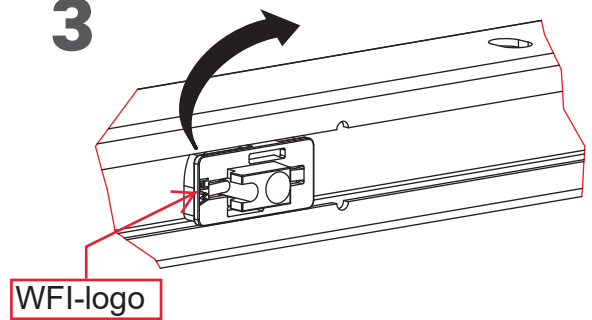
1



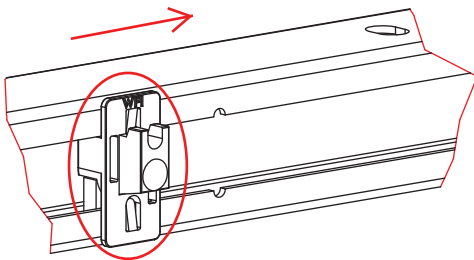
2



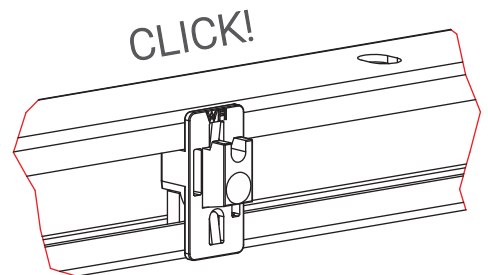
3



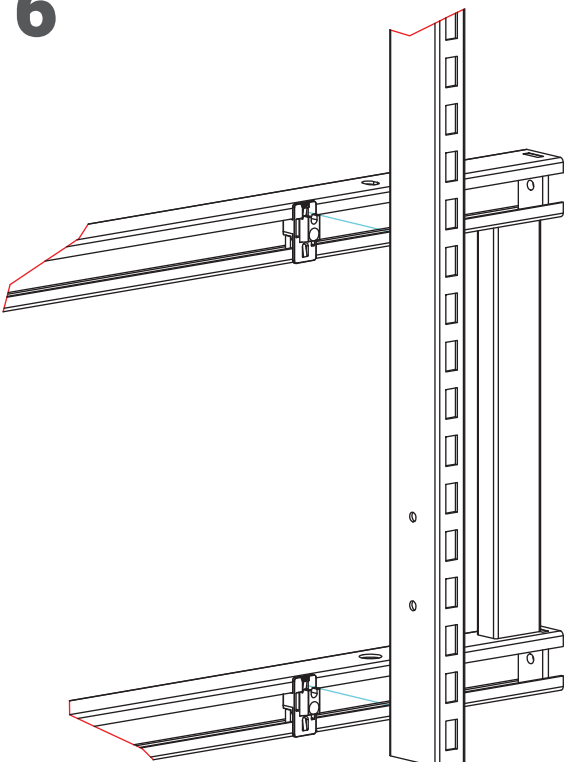
4



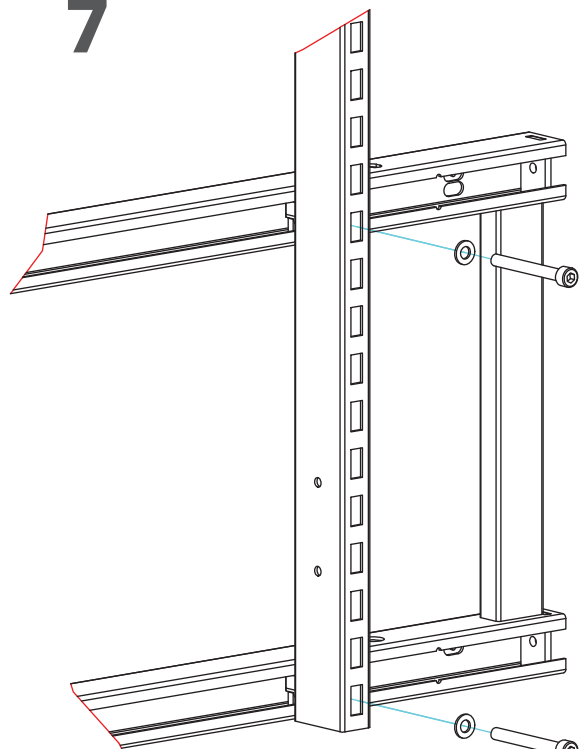
5



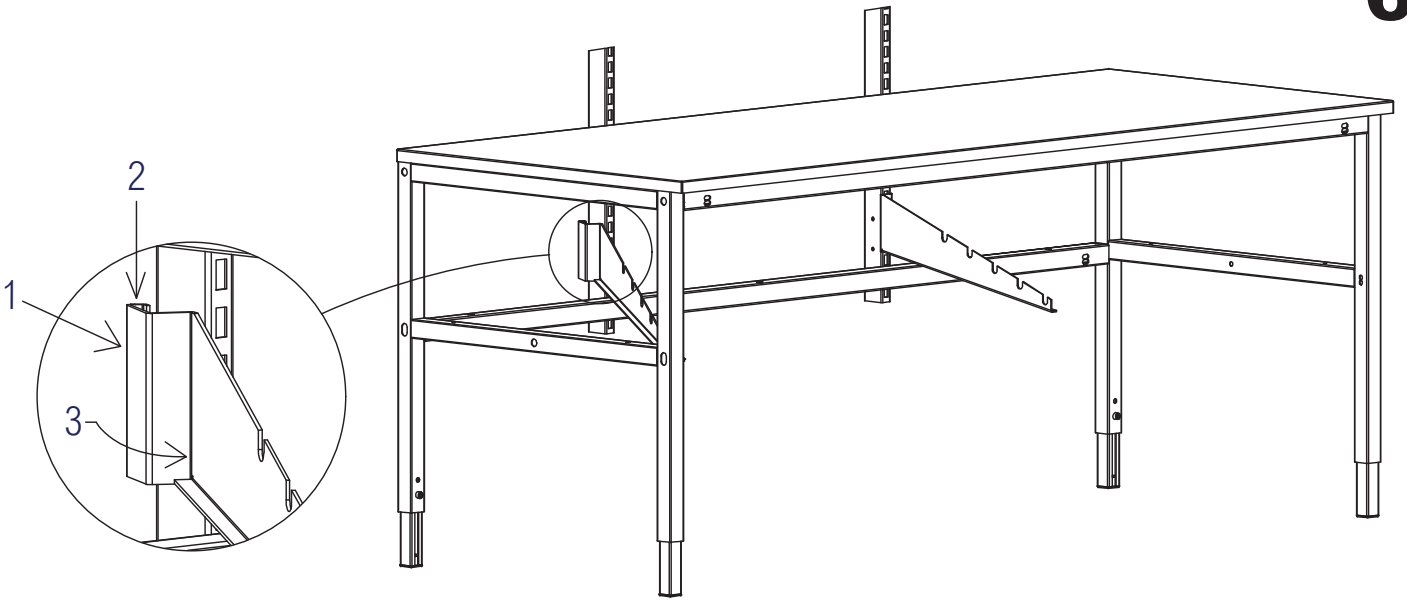
6



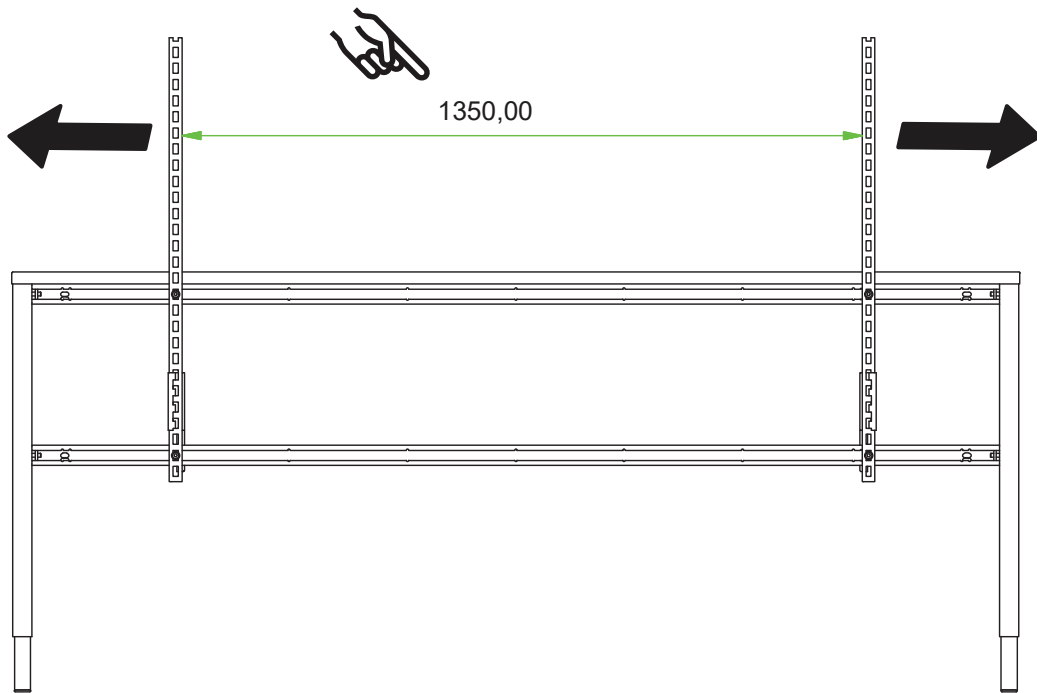
7



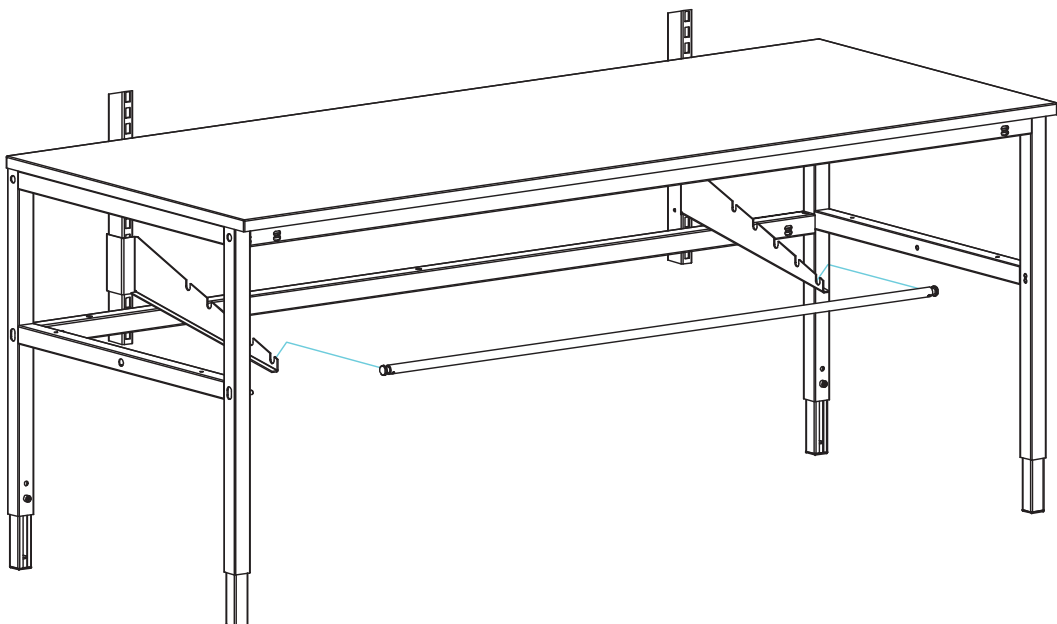
6



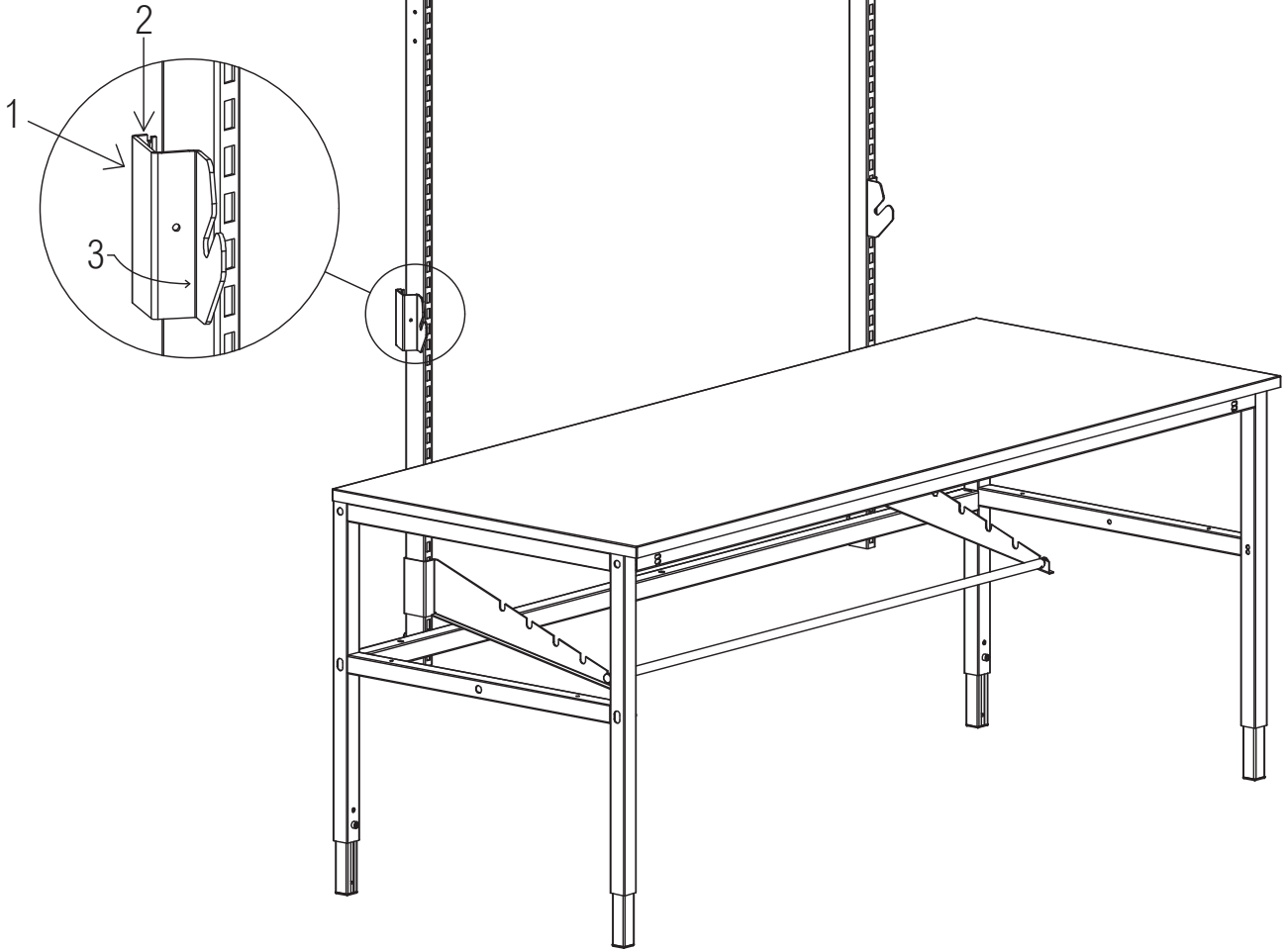
7



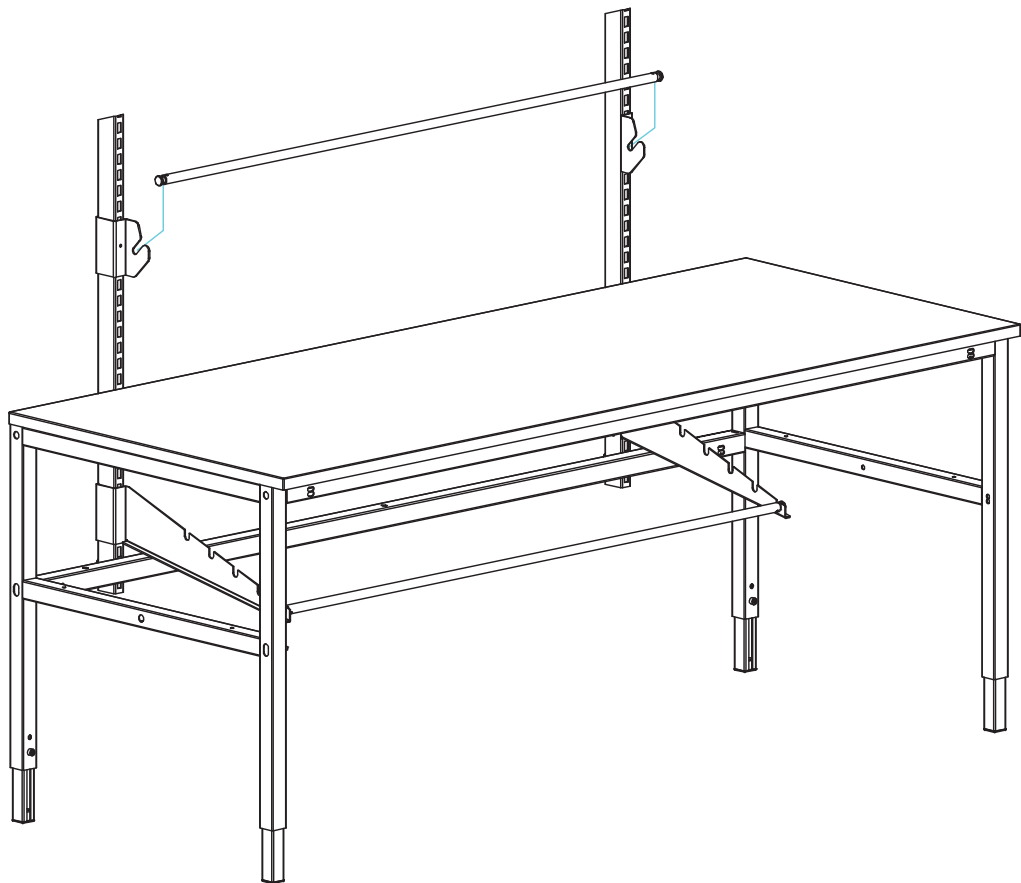
8



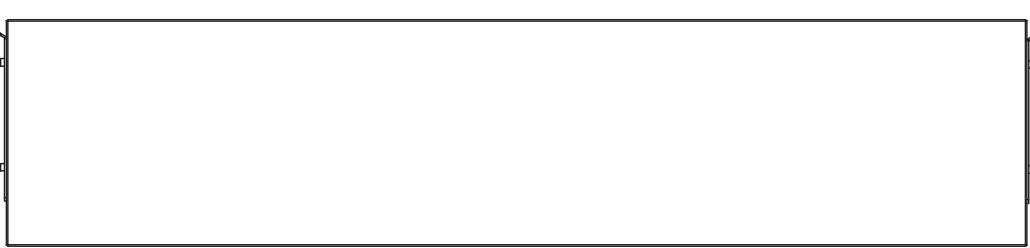
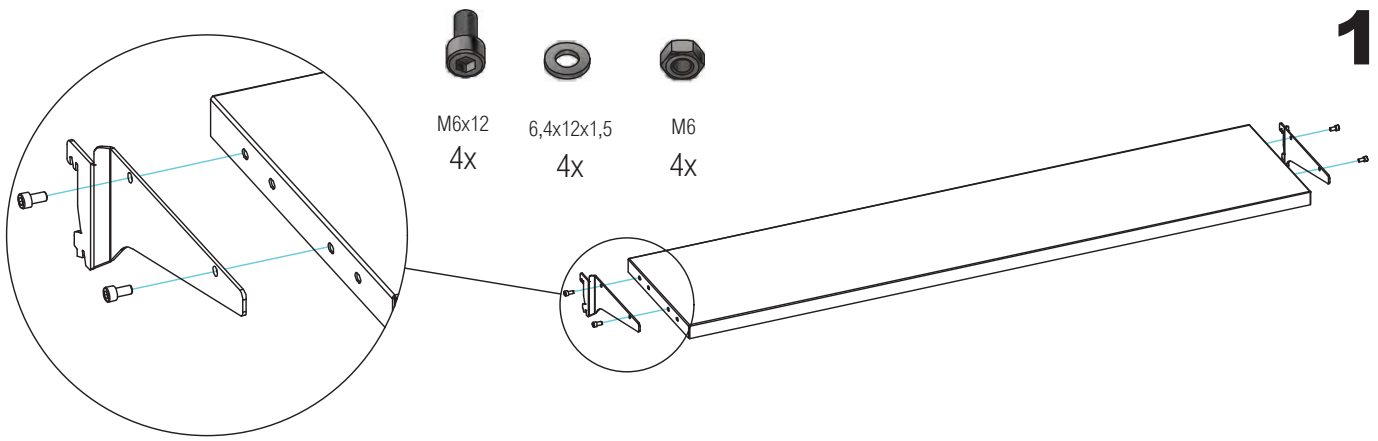
9



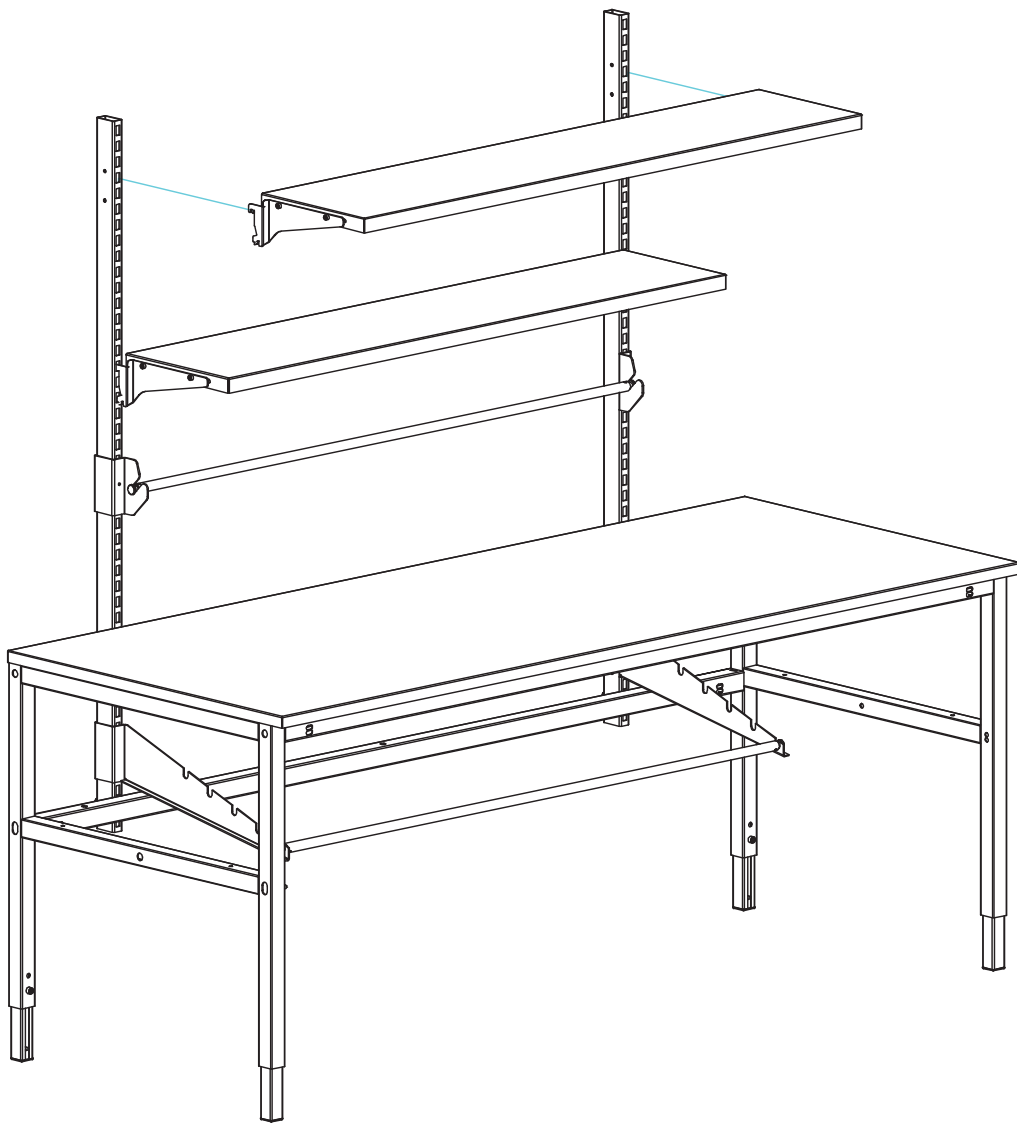
10



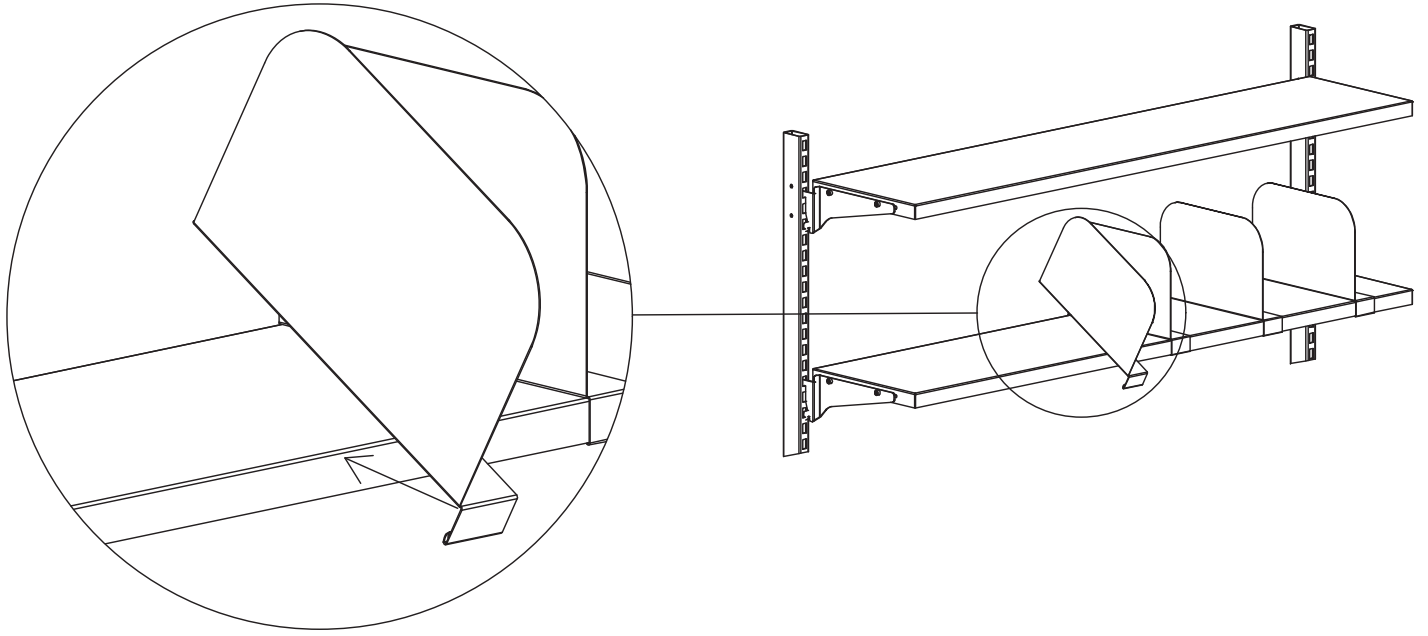
11



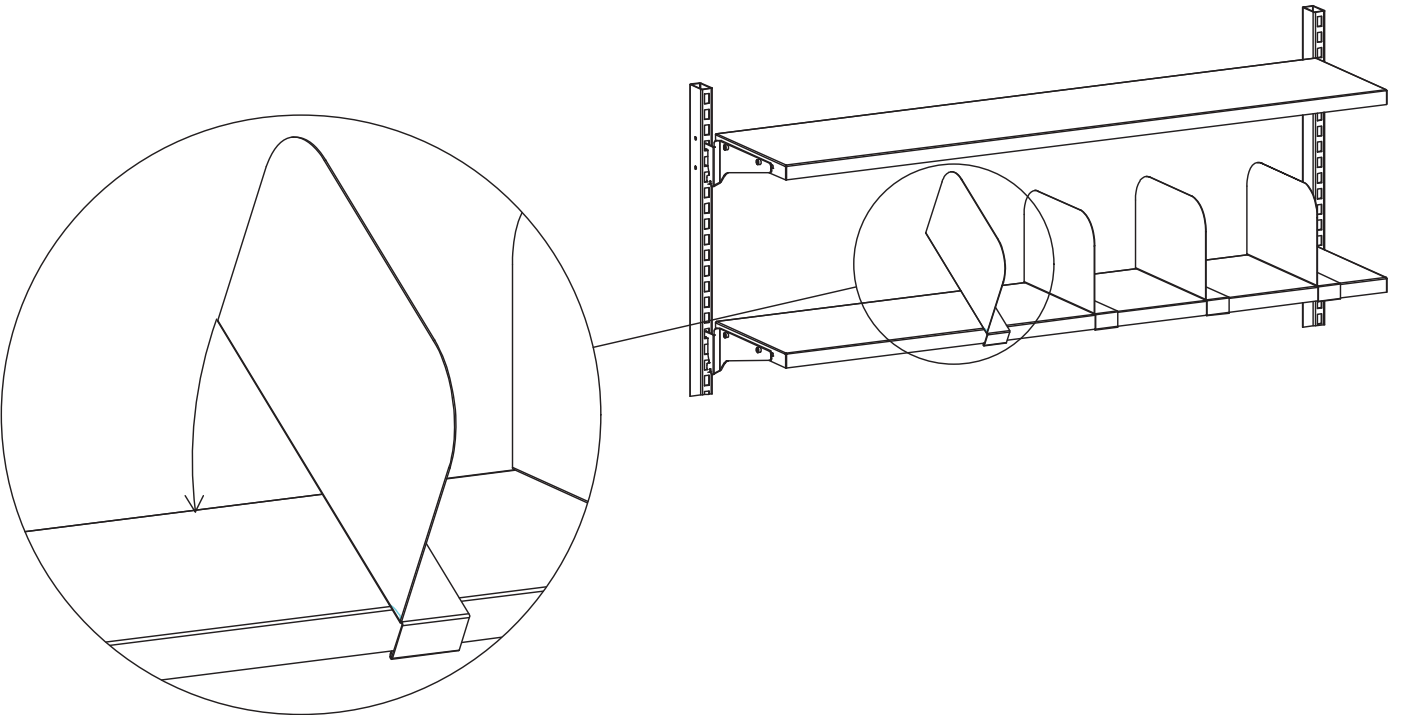
12

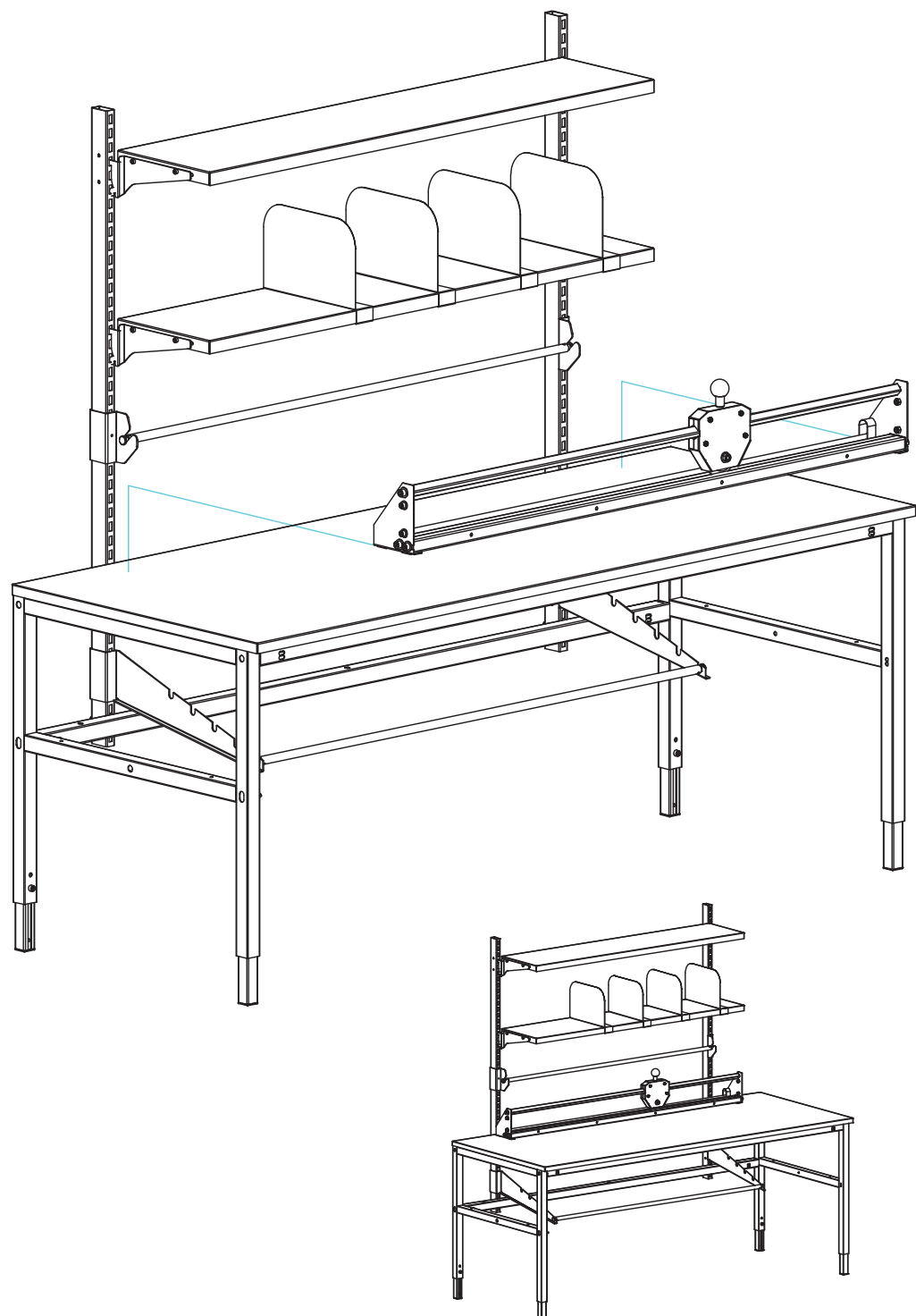
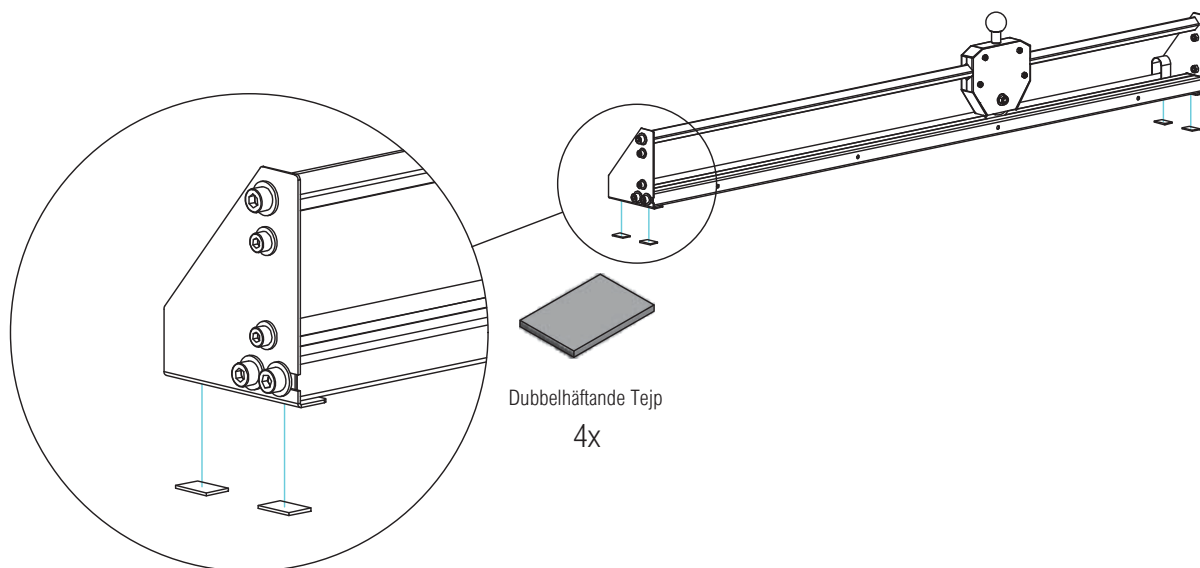


13



14







WORKPLACES FOR INDUSTRIES



www.wfiab.se