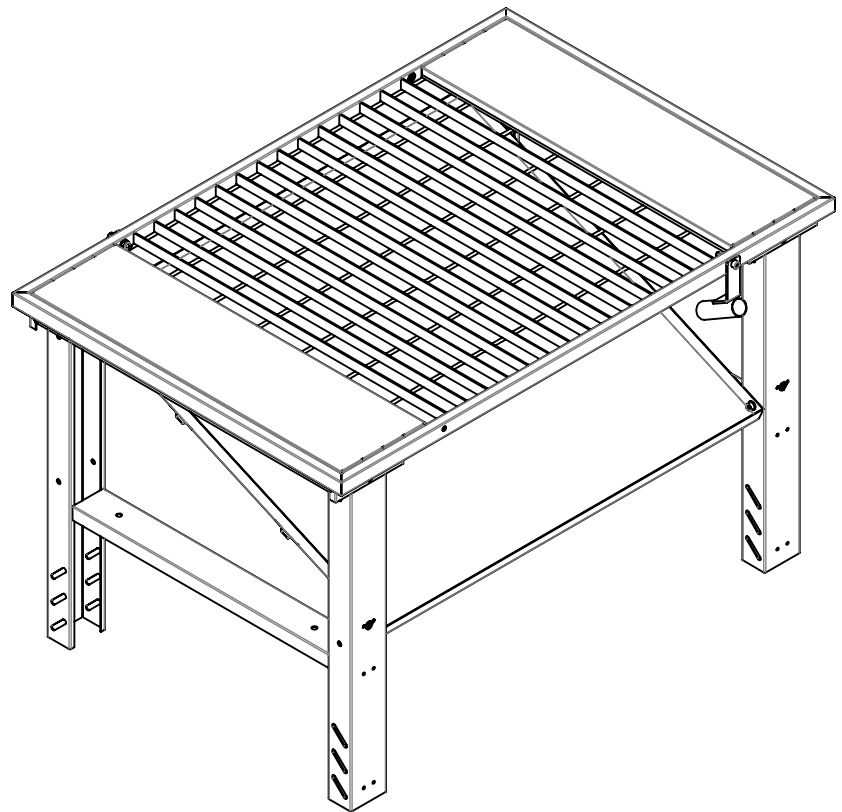
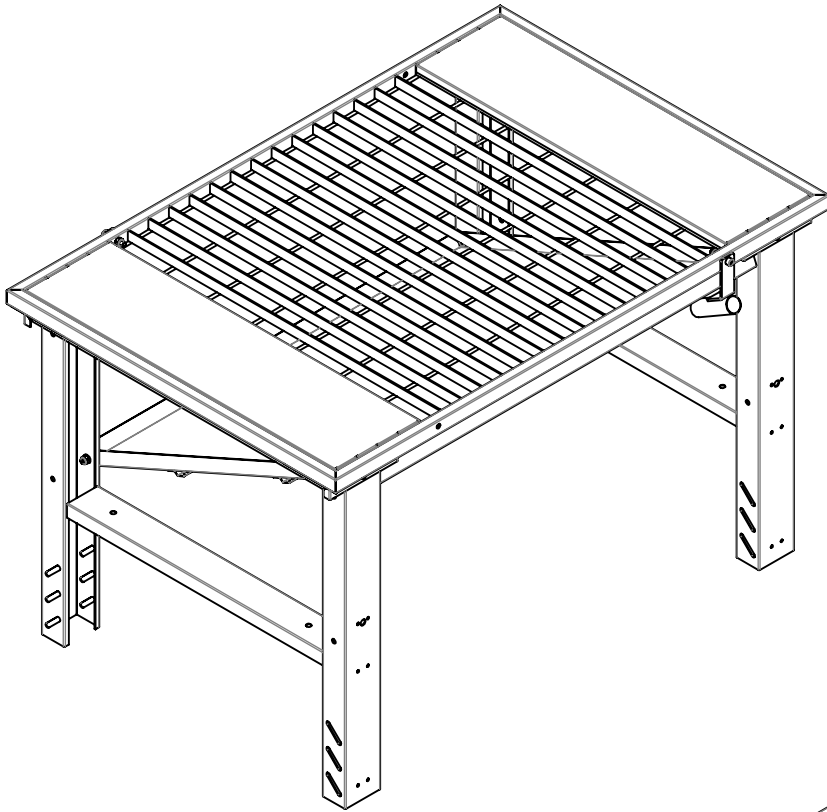
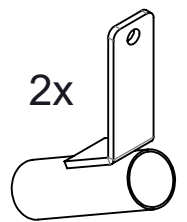
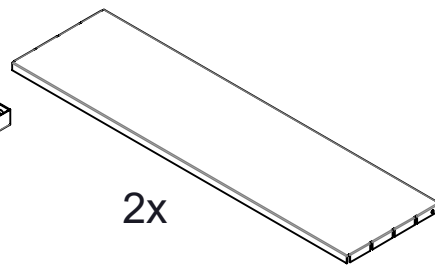
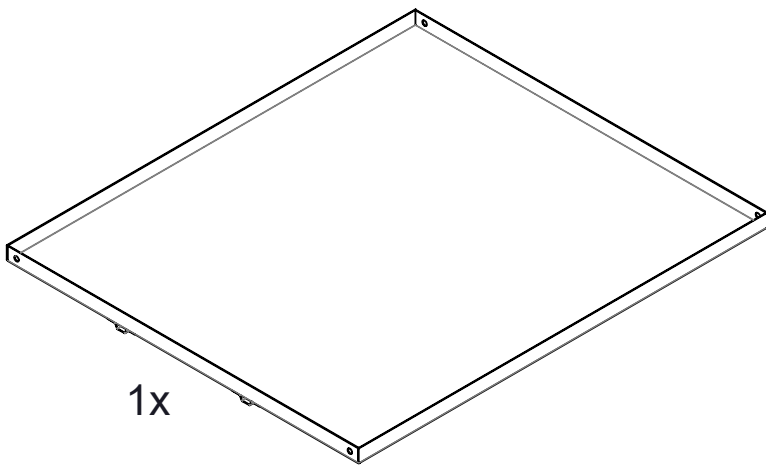
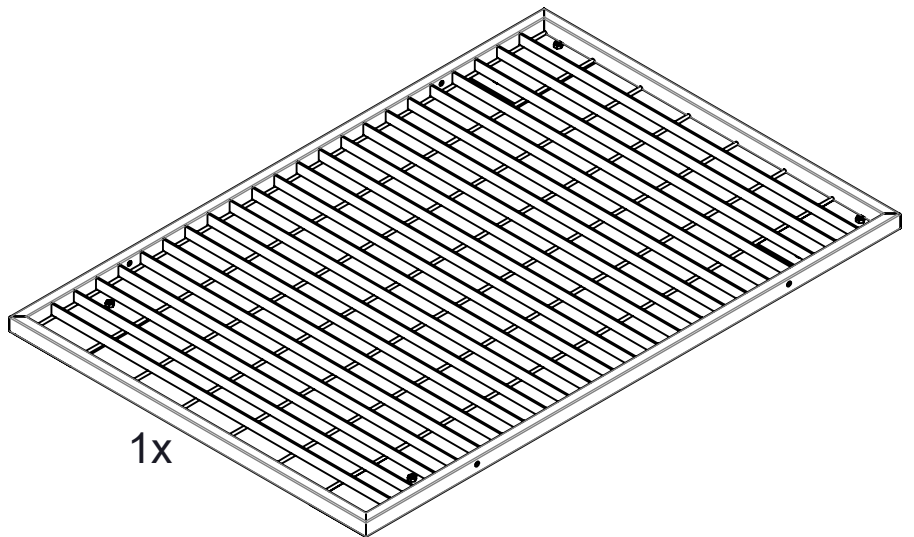
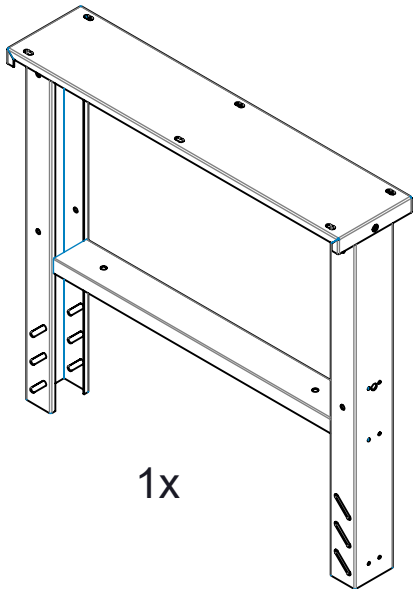


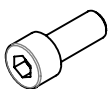
# 1-400 & 1-401 Welding Worktop



# AI 1-400, 1-401 Welding Worktop

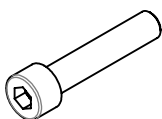


M8x20



12x

M8x40



2x

8x16x1.5



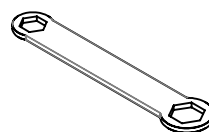
8x

M8



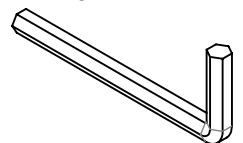
6x

13-17 mm



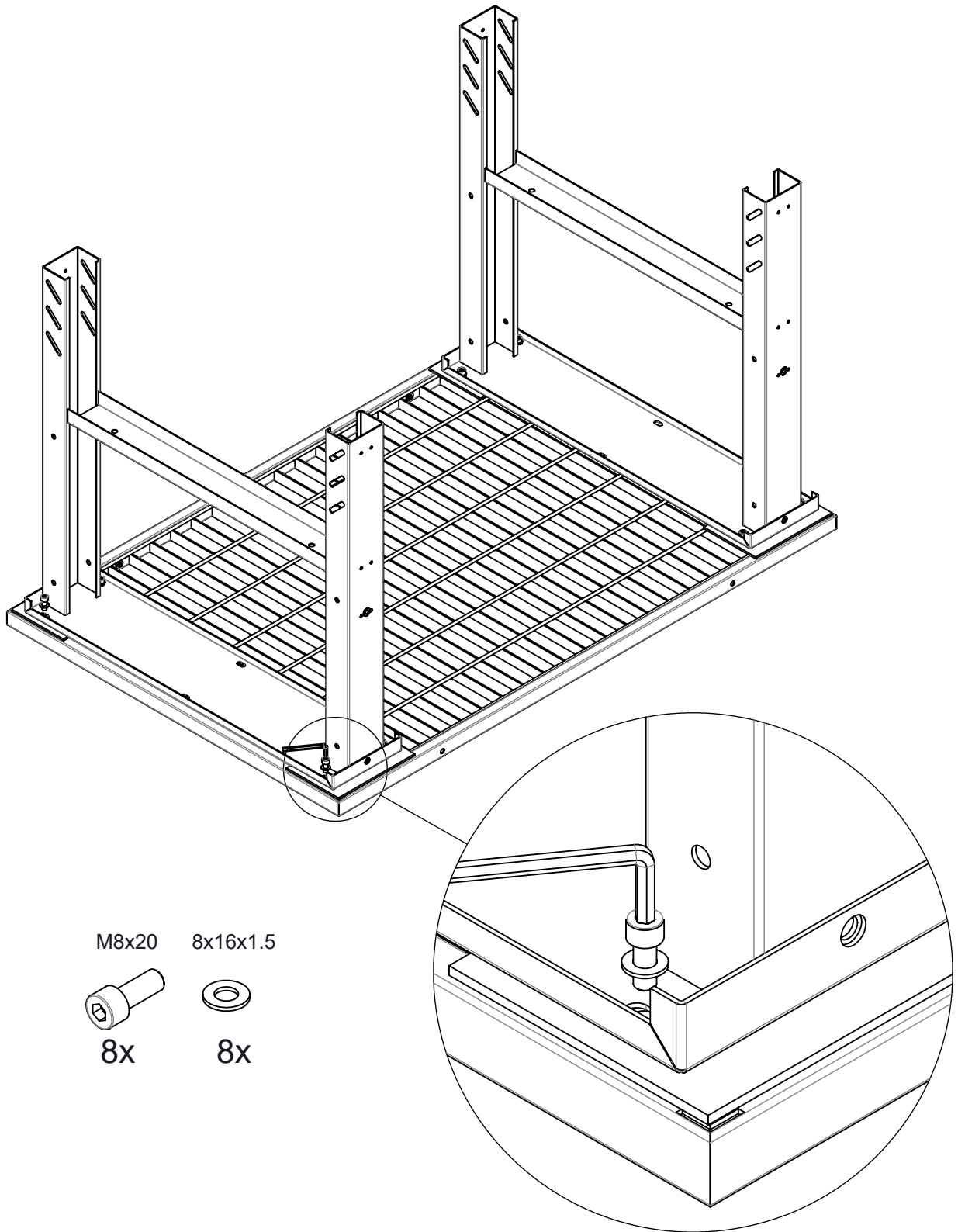
1x

6 mm



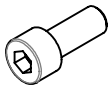
1x

# AI 1-400, 1-401 Welding Worktop



M8x20

8x16x1.5



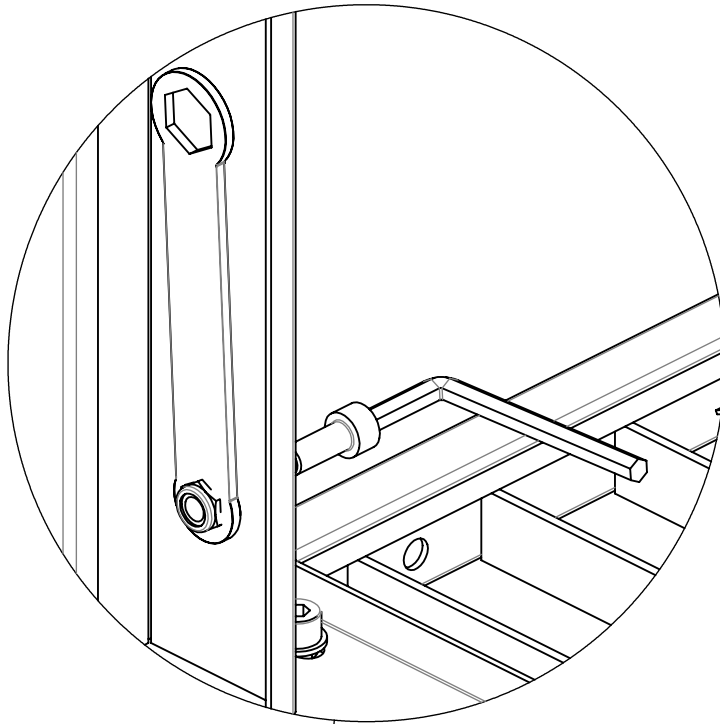
8x



8x

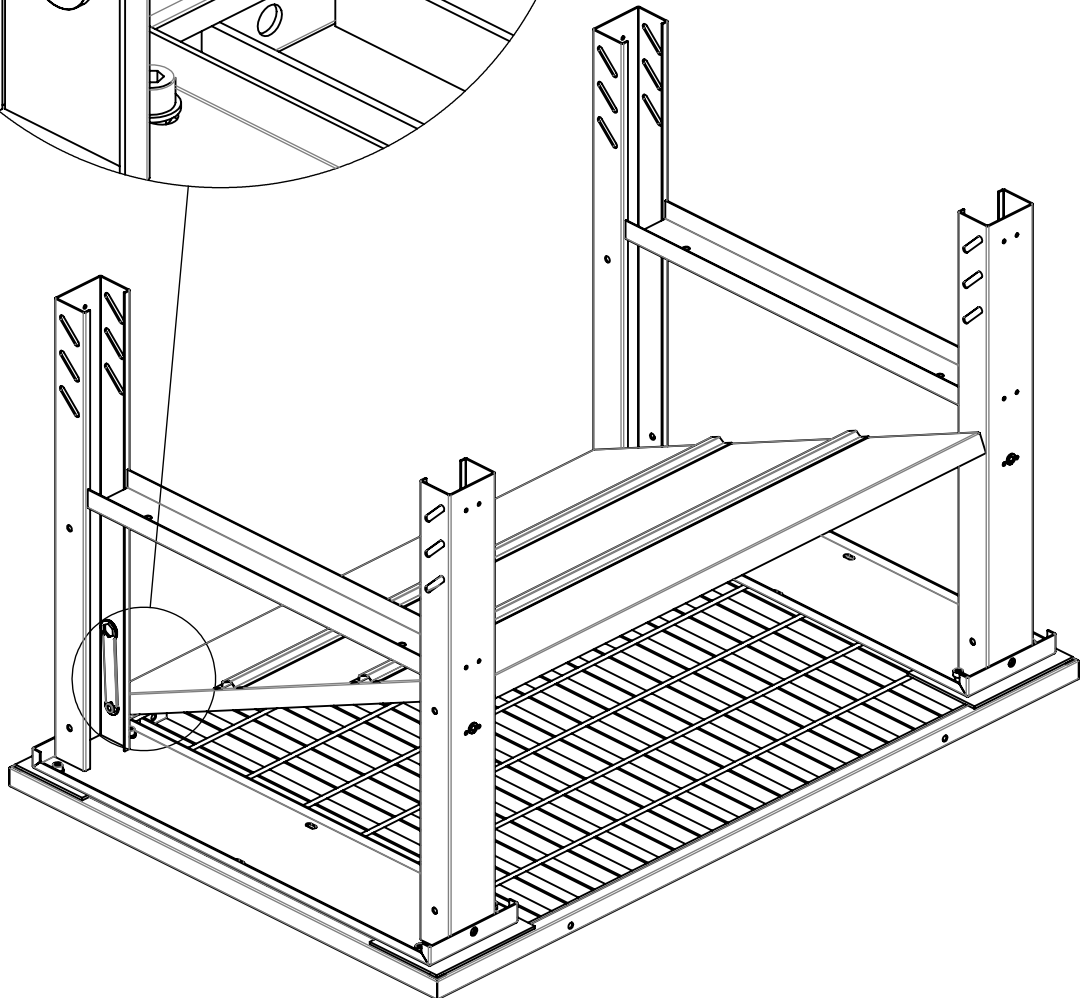
**STEP1:**  
Assemble legs and table top.  
DON'T tighten the bolts



# AI 1-400, 1-401 Welding Worktop



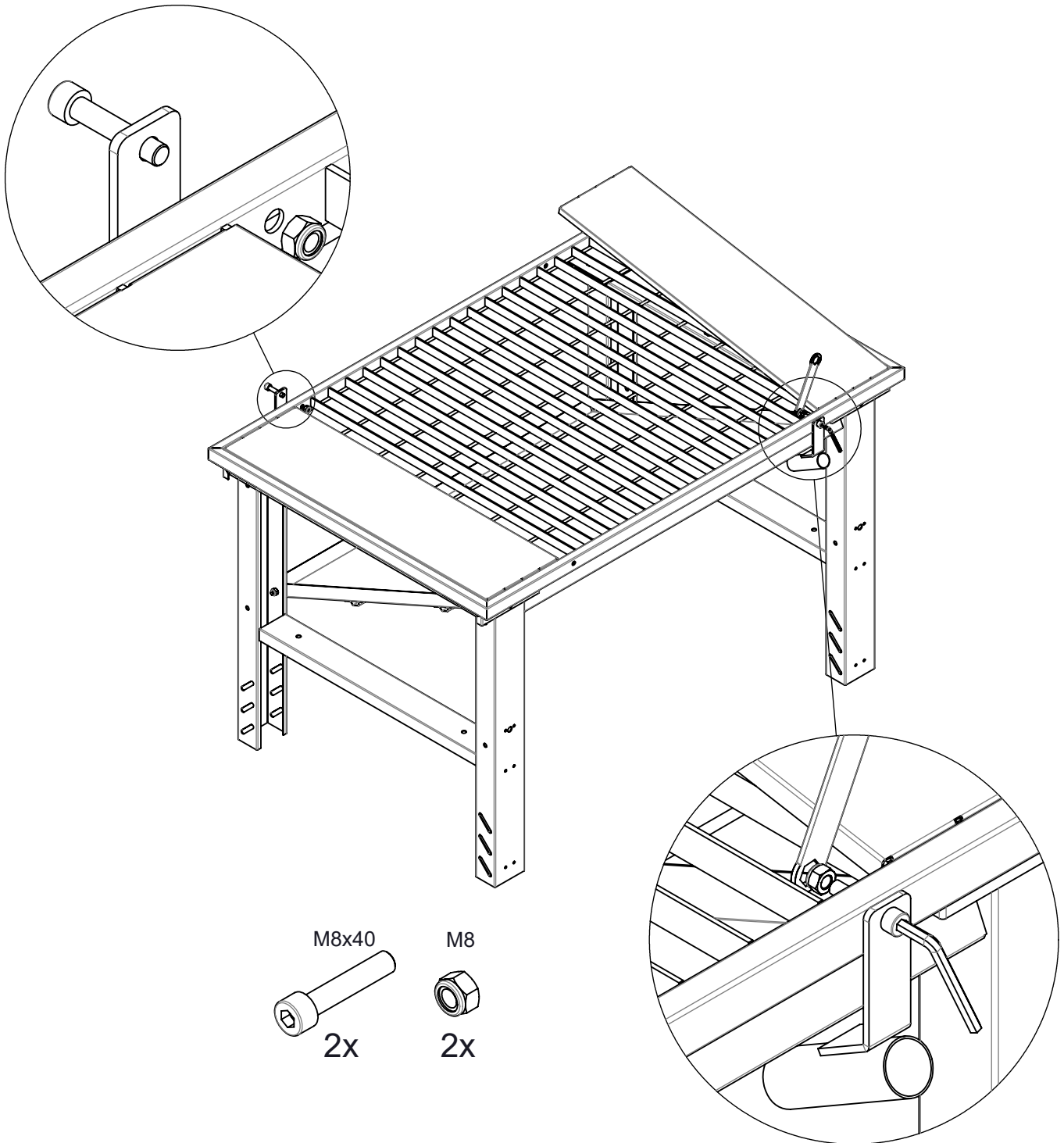
M8x20	M8
	
4x	4x



**STEP2:**  
Assemble the shelf  
Tighten all of the bolts



# AI 1-400, 1-401 Welding Worktop



**STEP3:**  
Assemble the Welding gun holder  
Put the lids on table top and finish

