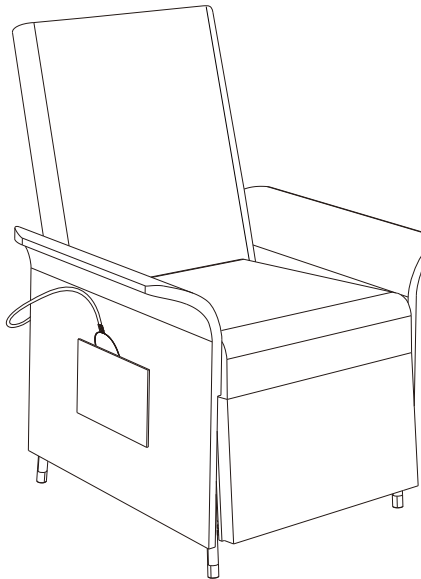


Item No. ER102

User Manual



The pictures are for reference only, the actual product shall prevail.
Please read the instruction manual before installing and using the furniture.

Usage Instructions

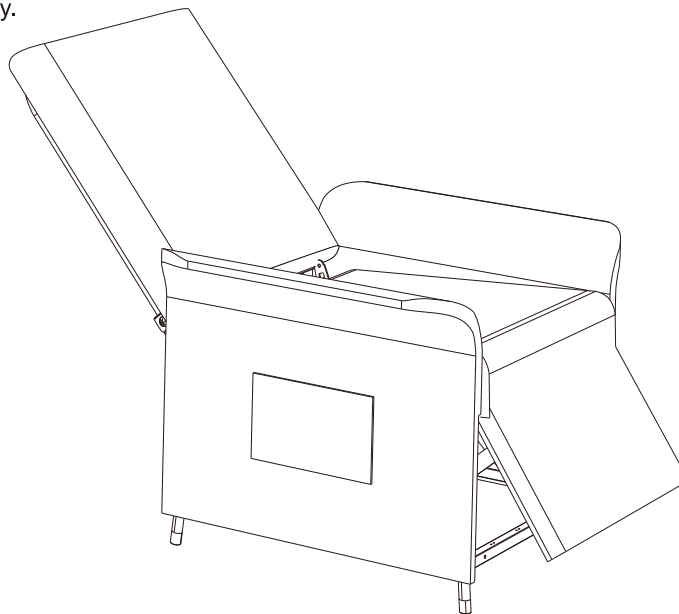
Main Materials

Main Materials	Corresponding parts
Fabric	Recliner Body
Eco-friendly sponge	Internal filling
Carbon steel pipes	Frame
Wood boards	Armrests

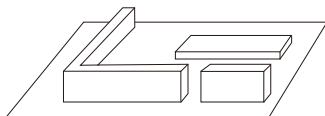
Product performance and specifications

Name	Recliner							
Model	ER102							
G.W.	30kg				N.W.	25.8kg		
Product dimensions	770x820x1040mm							
Seat cushion dimensions	Seat depth	480mm	Seat width	485mm	Seat height	455mm	Armrest height	590mm

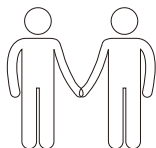
Note: The dimensions of the sofa are manually measured, and there may be a deviation of 3-5cm in the finished product. Please refer to the actual product for accuracy.



Installation Preparation



Installation on carpet to prevent scratching



Need two or more people to cooperate together.

Accessory Pack



Ax6



Bx8

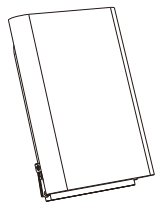


Cx1

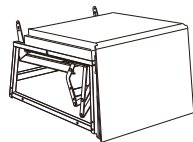


Dx1

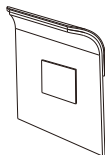
Parts List



1 Backrest x1



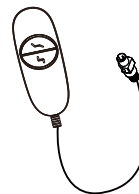
2 Sofa base x1



3 Armrest x2



4 Adapter x1



5 Remote control x1

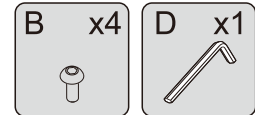
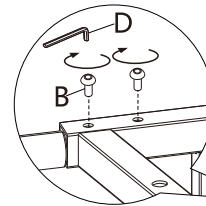
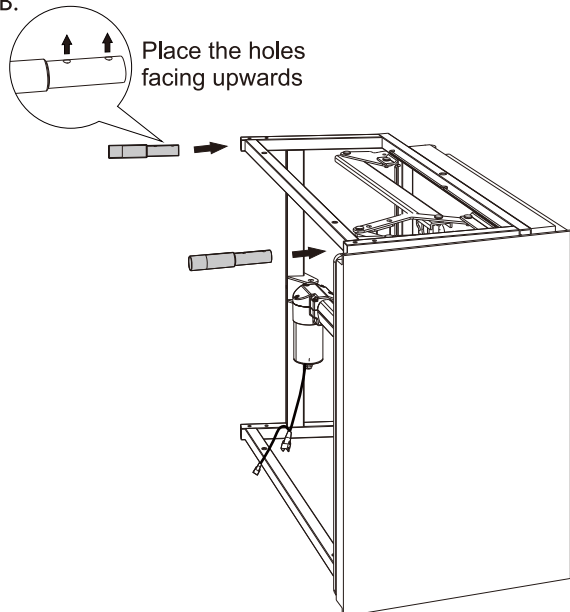


6 Sofa base corners x4

Installation Guide

STEP 1

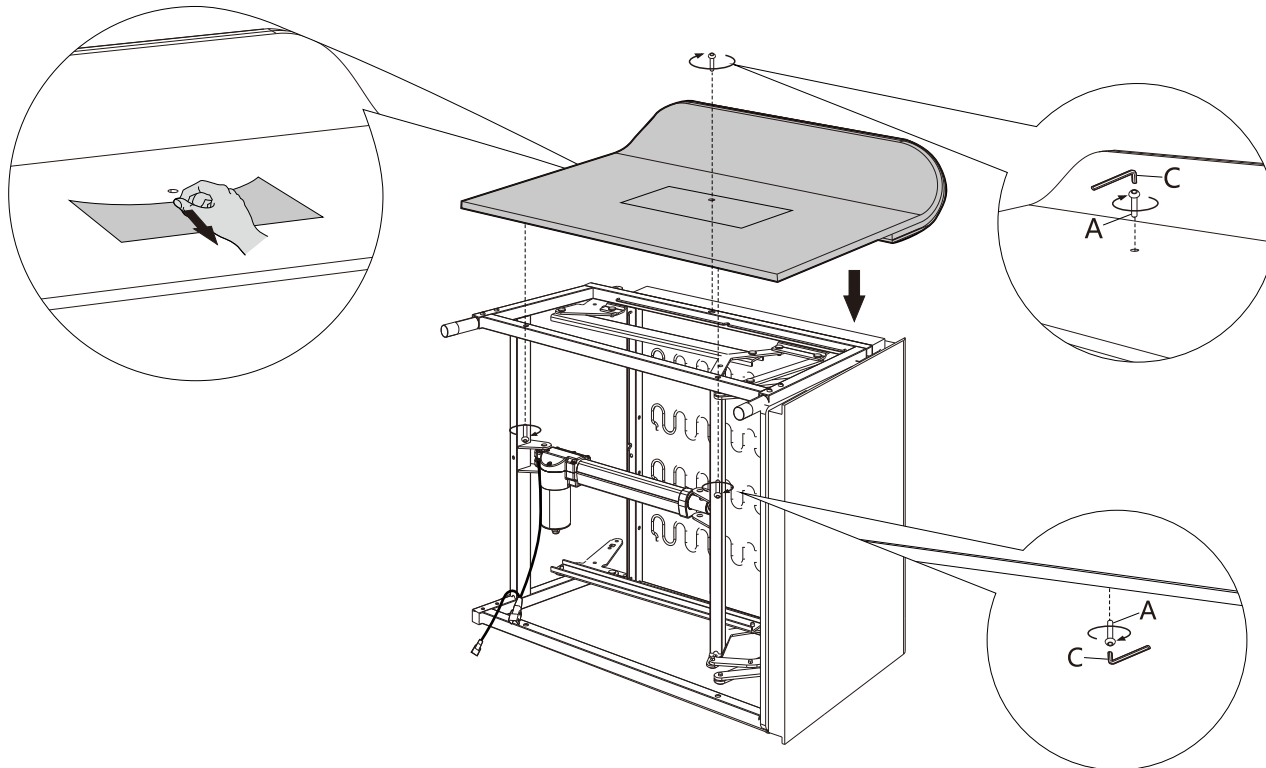
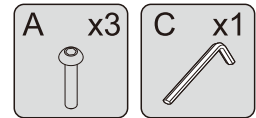
- Remove all accessories from the packaging and place them in a clean and flat area, as shown in the diagram. First, insert two base corners into one side of the sofa base, and tighten them using screw B.



<The picture only shows the installation steps, the product is subject to the actual product>

STEP2

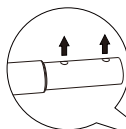
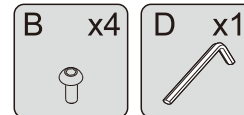
- As shown in the diagram, align the three screws with the corresponding holes and pre-fix them. Then, tighten each screw separately.



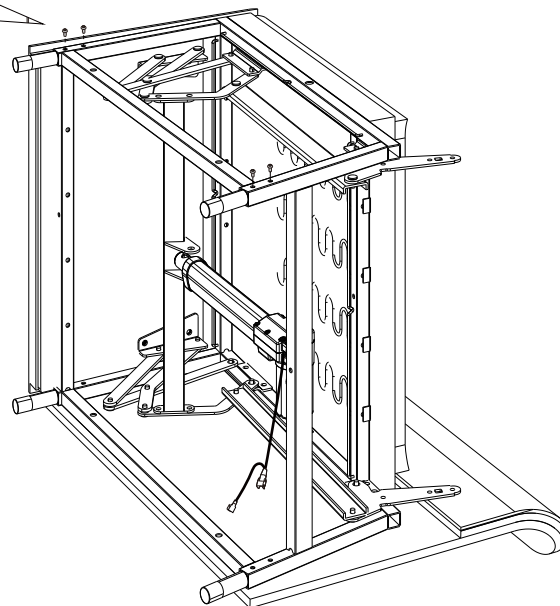
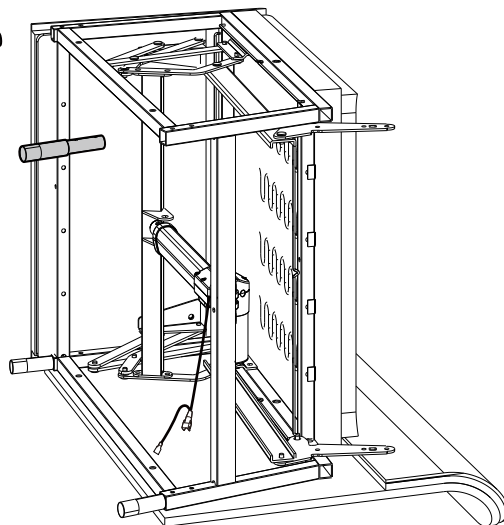
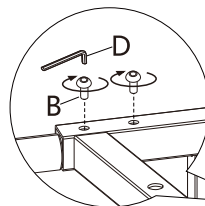
<The picture only shows the installation steps,
the product is subject to the actual product>

STEP 3

- Similarly, insert the other two base corners into the opposite side of the sofa base, as shown in the diagram, and tighten them with screw B.



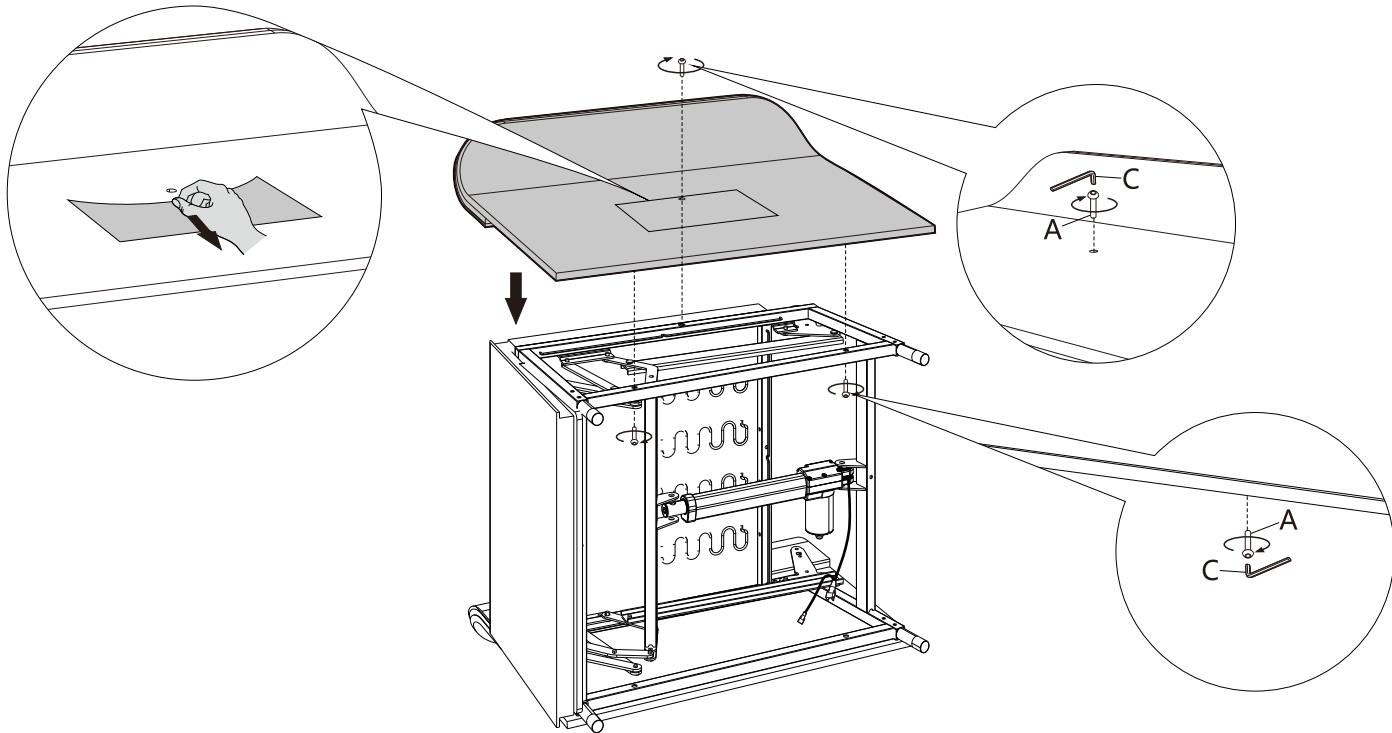
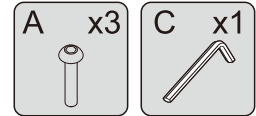
Place the holes facing upwards



<The picture only shows the installation steps, the product is subject to the actual product>

STEP 4

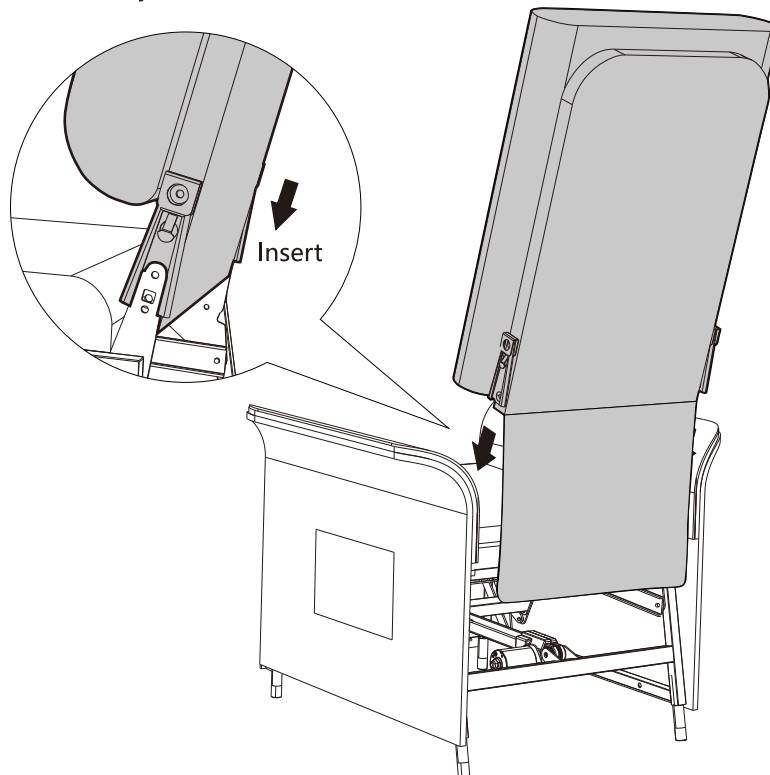
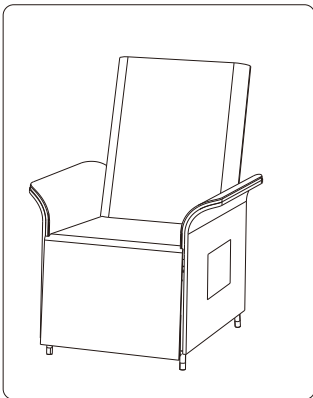
- As shown in the diagram, align the three screws with the corresponding holes and pre-fix them. Then, tighten each screw separately.



<The picture only shows the installation steps, the product is subject to the actual product>

STEP 5

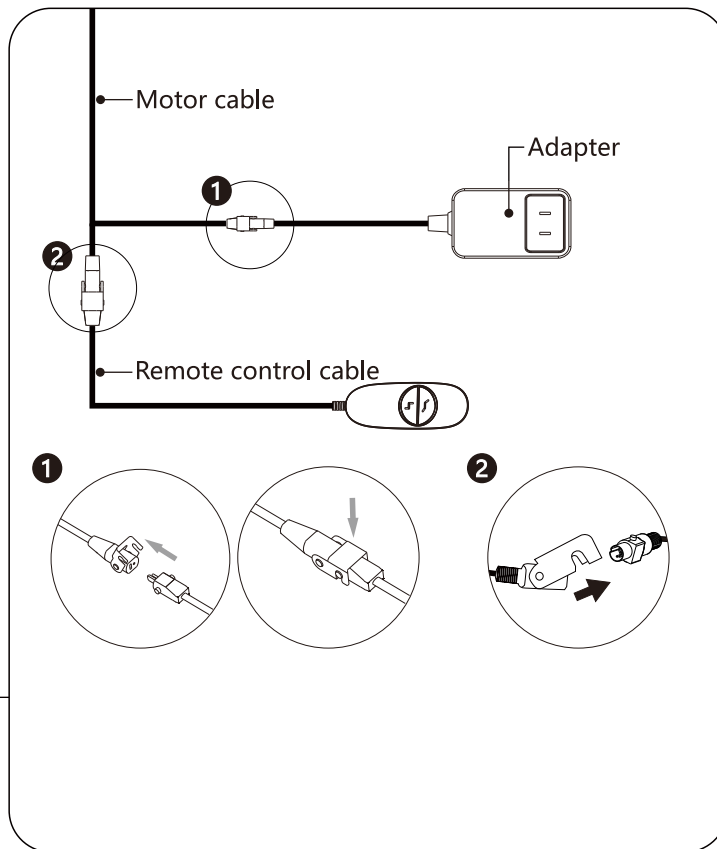
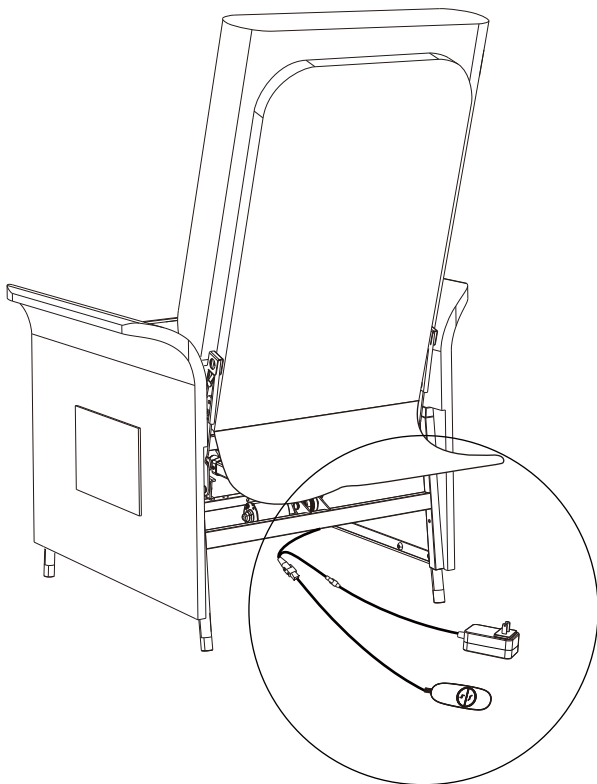
- As shown, align the slots on both sides of the backrest with the inserts on the base. Fully insert the inserts into the slots until you hear a "click" sound.



<The picture only shows the installation steps,
the product is subject to the actual product>

STEP 6

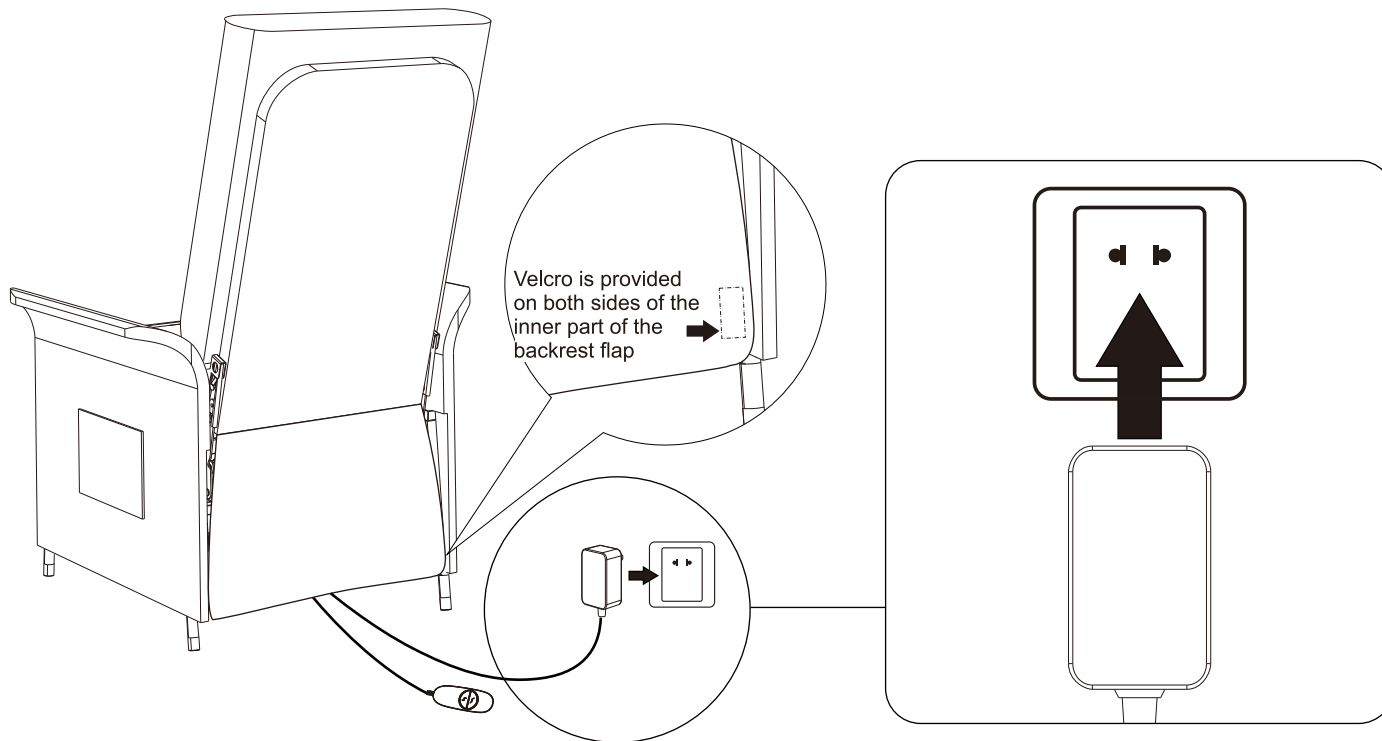
- Please complete the wiring according to the diagram



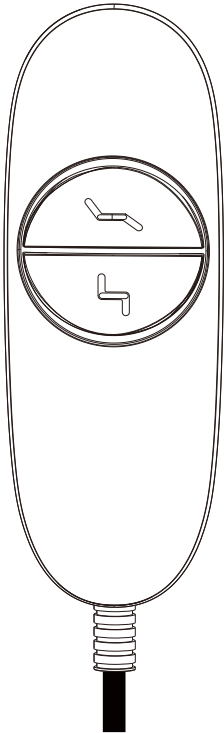
<The picture only shows the installation steps,
the product is subject to the actual product>

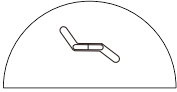
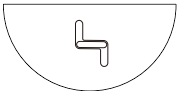
STEP 7

- Please tidy up the backrest flap first, and stick the Velcro on both sides of the frame
- Next, connect the adapter to the power source. Then, you can start using this product



Functional instructions for the remote control buttons



	<p>The button controls the sofa to open Press and hold the button to gradually adjust the sofa to a lying position</p>
	<p>The button controls the sofa to close Press and hold the button to gradually adjust the sofa to a sitting position</p>



It is strictly prohibited to put your head, hands, feet, or any other body part into the bottom frame while the sofa is in operation.

Precautions

1. Before use

- Before opening the sofa packaging, please check if the packaging is intact. Do not use sharp tools to open the packaging to avoid damaging the sofa fabric.

- Due to long-distance transportation, the sofa may have temporary creases, but these creases will naturally recover over time of use

2. During use

- Recommended Usage: The sofa is suitable for home use in a well-ventilated and cool environment, away from direct strong light, and with a temperature of $\leq 40^{\circ}\text{C}$.

- When moving the sofa, lift it from the base and handle it with care. Avoid dragging it across the floor to prevent scratches.

- To prevent loosening of the sofa structure, place it on a flat surface. If the floor is uneven, use foot pads to stabilize it. Do not place the sofa directly against painted furniture or walls. It is recommended to maintain a distance of 2-3 centimeters to avoid wear or mutual contamination.

- Please ensure proper ventilation and maintain normal humidity levels indoors. Avoid direct sunlight or placing the sofa near a heat source to prevent the sofa from getting damp and developing mold.

- When using the functional features of the sofa, do not extend hands, feet, or head into the bottom of the frame to avoid injury.

- Avoid using strong cleaning agents (such as turpentine, gasoline, diesel, etc.) to clean the sofa, as they can cause discoloration and stiffness.

Also, prevent the sofa from coming into contact with colored liquids, chemicals, and oily substances to avoid any damage.

- Remember that the weight-bearing capacity of the sofa's armrests is different from that of the seat cushions. Do not sit or put excessive weight on the sofa's armrests to prevent damaging the structure.

- It is recommended to avoid standing, jumping, or forcefully plopping down on the sofa as it can cause damage to the product.

- Do not place sharp objects (such as keys, knives, nail clippers, etc.) or hard objects on the product to avoid causing damage.

- Make sure there are no other objects, especially pets and children, underneath the sofa's frame during use. When children, individuals with disabilities, or those with limited mobility are near or using the sofa, it is important to have someone present to supervise.

- When unfolding the sofa, please do not place all the weight on the backrest, to prevent the sofa from tipping over and causing accidents.

3. Cleaning Instructions

- Before cleaning, use a clean and dry cotton cloth to absorb any surface stains (do not rub the upholstery too vigorously); Then, use a damp cloth in a circular motion, starting from the center of the stain and working towards the outer edges, until the stain is completely removed (except for suede or other textured materials).

- Please use professional cleaning agents or protectants.

4. Maintenance Instructions

- For daily care, simply wipe the sofa with a clean and soft cloth. Once a week, you can use a brush or vacuum cleaner to remove any dust that has accumulated in the sofa's structural components.

- It is recommended to lightly pat and arrange the seat cushions and backrest of the sofa regularly to maintain its appearance.

Troubleshooting

If this product experiences a malfunction, please refer to the table below for possible symptoms and solutions.

Problem	Solution
Stiff or inflexible frame	<ol style="list-style-type: none">1.Adjust the position to make it level.2.Apply a small amount of lubricating oil
Non-functional remote control buttons	Check the connection of the remote control cable
Jerky movements during operation	<ol style="list-style-type: none">1.Clean the area under and around the sofa, removing any debris or obstacles2.Ensure the proper connection of the motor wire and power cord
Unpleasant odor	Maintain proper ventilation or use a sofa-specific odor remover
None of the functions of this product are working	<ol style="list-style-type: none">1.Ensure the correct connection of all wires2.Ensure the correct connection of all cables.3.Check if the power cord is connected to a properly functioning power source
Please contact customer service for further assistance	

Waste disposal



This marking indicates that this product should not be disposed with other household wastes. To prevent possible harm to the environment or human health from uncontrolled waste disposal, recycle it responsibly to promote the sustainable reuse of material resources. To return your used device, please use the return and collection systems or contact the retailer where the product was purchased. They can take this product for environmental safe recycling.

