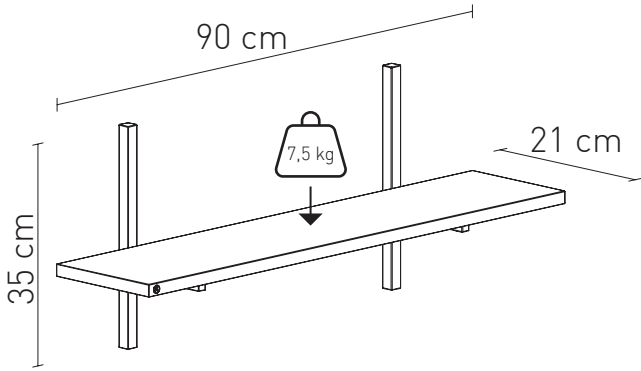


ANDERSEN

DESIGN SINCE 1916



A LIGHT SHELF
Design by Louise Siig

