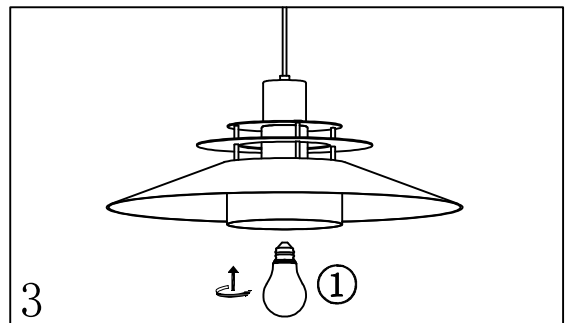
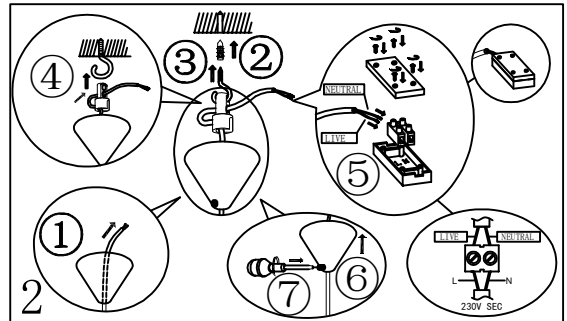
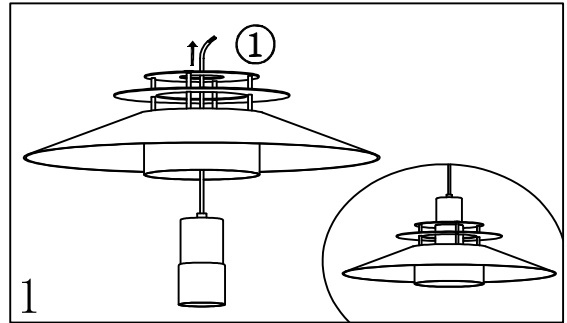
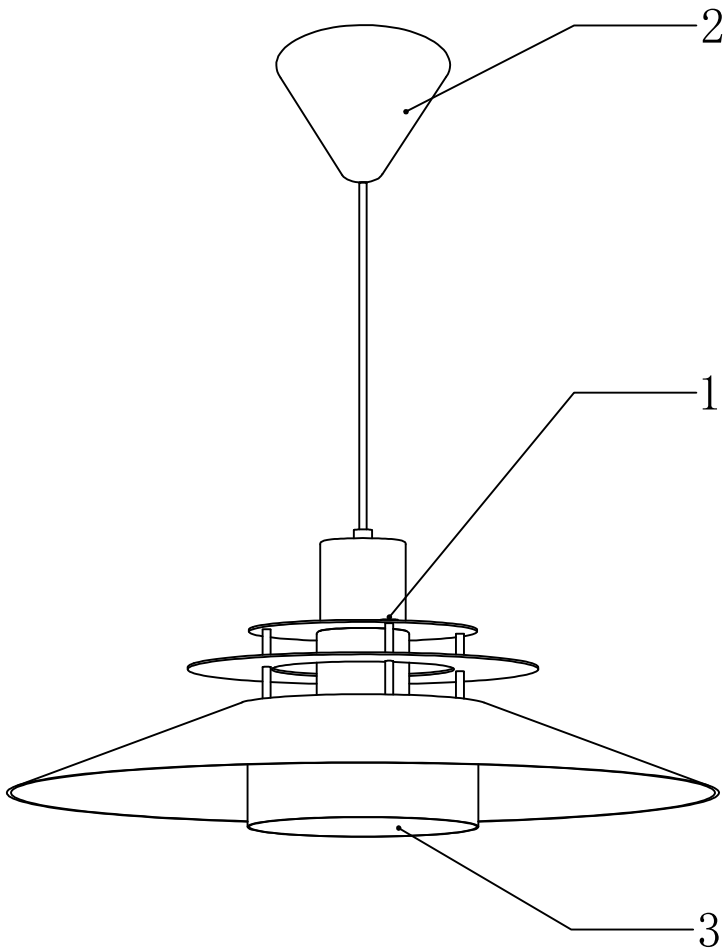


INSTRUCTION MANUAL

Model: Rivoli Ø50



INSTRUCTION MANUAL

- 1 Follow the instruction sketch.
- 2 Make sure power is OFF on the outlet, before beginning the installation.
- 3 Insert the light bulb.
- 4 Go through point 1 to 3 before connecting the lamp to the power.


230V.E27 .MAX 40W



07-SMDE-000-031

Rivoli ϕ 50 (HT13026L-50CM) 说明书 (A4单面) 31-106+31-64 不含插头多国语言安装说明书 (外购折好) (A4
双面)

编制: 吴于立

审核: 

2022-6-16