



## PACKING LIST

Frame	pcs
<b>Pre-assembled frame set</b>	
Outer pipe	2
Conection pipe	2
Control box	1
Motor	1
Aluminum extension set	1
Cable clamp	7
Screw for Connection pipe, M8x12mm	8
Screw for Control box, M4x6mm	2
<b>Column</b>	
End pipe	2
Feet	2
Rubber washer	18
<b>Accessory</b>	
Handset	1
AC cable	1
<b>Hardware</b>	
screw for Column, M6x16mm	8
Screw for Feet, M10x16mm	8
Screw for Handset, Ø4x22mm	2
Screw for Tabletop, Ø5x20mm	18
Allen key for Feet, 5mm	1
Allen key for Column, 4mm	1
Allen key for Aluminum extension set, 2mm	1
<b>TIGHTENING TORQUE</b>	
Tailstock	Maximum 6Nm
Screw for Column	15-20Nm
Screw for Feet and Tabletop	Maximum 10Nm
Screw for Handset	< 6Nm
<b>Make sure all screws are tightened, also after a period of use!</b>	

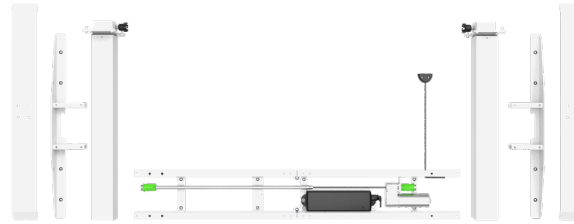
## RESET THE DESK BEFORE USE

Press both up and down buttons at the same time for 3 seconds. Continue pressing the buttons until both columns are in lowest position. When finish reset, the control box makes a sound and the buttons can be released. Now the system is operational.

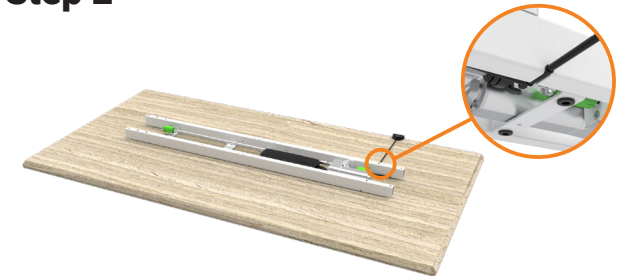
## WARNING

Carefully arrange all the cables not to be damaged by tabletop screws.

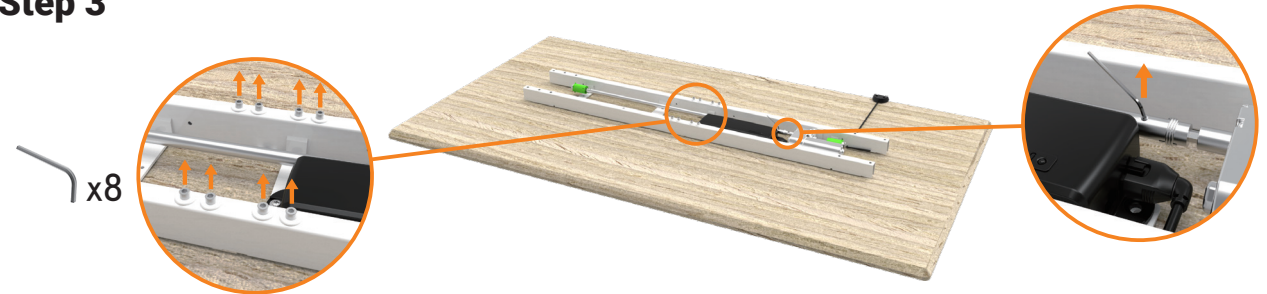
### Step 1



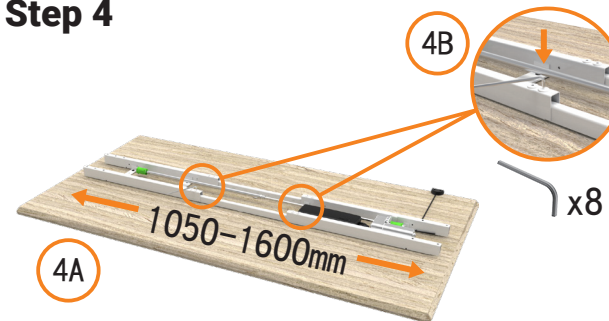
### Step 2



### Step 3



### Step 4



### Step 5

