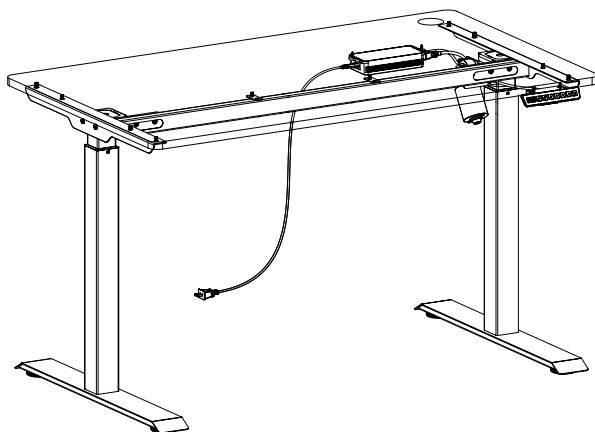


SUN-FLEX®DESKFRAME 600602
SUN-FLEX®DESKFRAME 600702
SUN-FLEX®DESKFRAME 600802



Assembly manual

SUN-FLEX®DESKFRAME 600602

SUN-FLEX®DESKFRAME 600702

SUN-FLEX®DESKFRAME 600802

Electric control part:

Input voltage: 100-240V

Output voltage: 29V DC 3.0A

Duty cycle: 10% MAX 2 min on 18 min off

Switch power supply, low energy consumption

Intuitive control

Desk frame part:

Built-in limit switch

Dynamic load: 80KG

Static load: 120KG

Load speed: 30mm/s

Lift range: 700mm---1160mm

Length of adjusting range:

770mm~1400mm

Installation of control box

-Attach the control box to the motor cable/cables.

-Attach the power cable to the control box.

-Assemble the control box to the underside of the desktop at preferred place with the screws incl.

-Use the intuitive control to adjust to preferred desk height.

Safety and warnings:

This appliance can be used by children aged from 8 years and above and persons with reduced physical, sensory or mental capabilities or lack of experience and knowledge if they have been given supervision or instruction concerning use of the appliance in a safe way and understand the hazards involved. Children shall not play with the appliance. Cleaning and user maintenance shall not be made by children without supervision.

Correct Disposal of this product

This marking indicates that this product should not be disposed with other household wastes throughout the EU.

To prevent possible harm to the environment or human health from uncontrolled waste disposal, recycle it responsibly to promote the sustainable reuse of material resources. To return your used device, please use the return and collection systems or contact the retailer where the product was purchased.

They can take this product for environmentally safe recycling.

RoHS

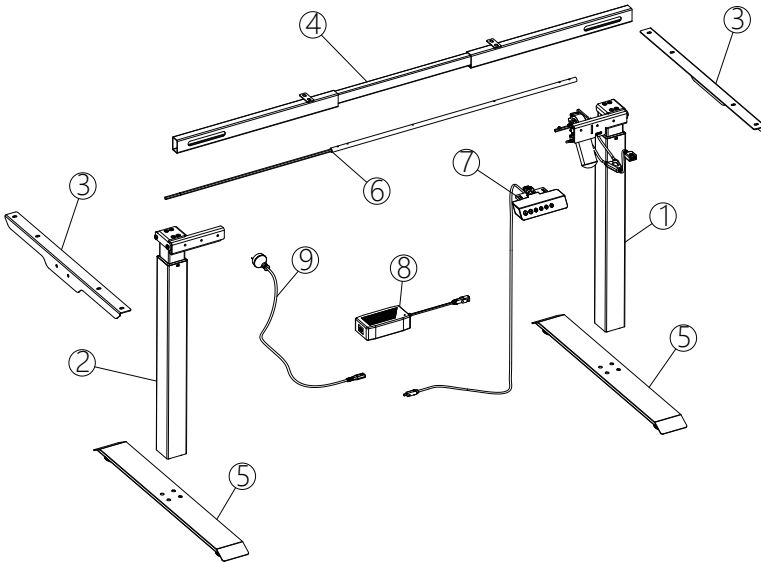


CE





EN

Installation instruction

Table top not included



HARDWARE INCLUDED

A QTY:10	B QTY:8	C QTY:2	D QTY:10
			
M6*12	M8*30	M4.2*16	ST5.0*16 (optional)

TOOLS INCLUDED



M5

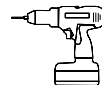


M4

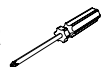


M2.5

TOOLS REQUIRED




OR

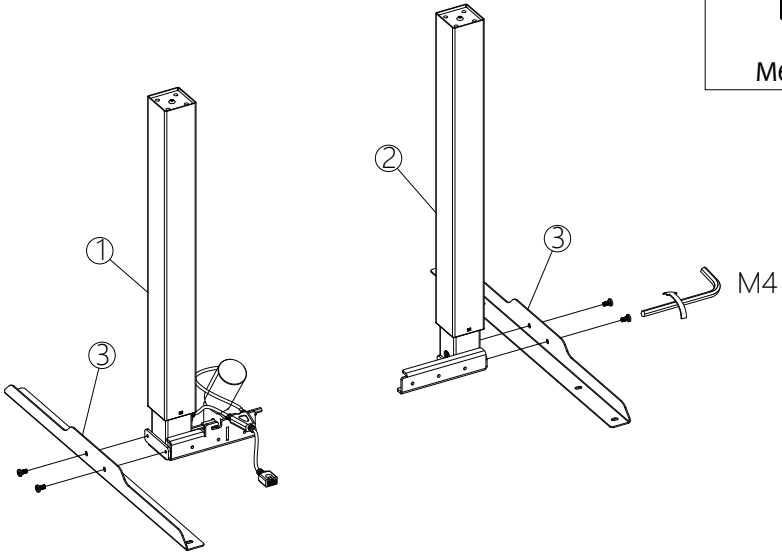


(EN)


INSTALLATION INSTRUCTION

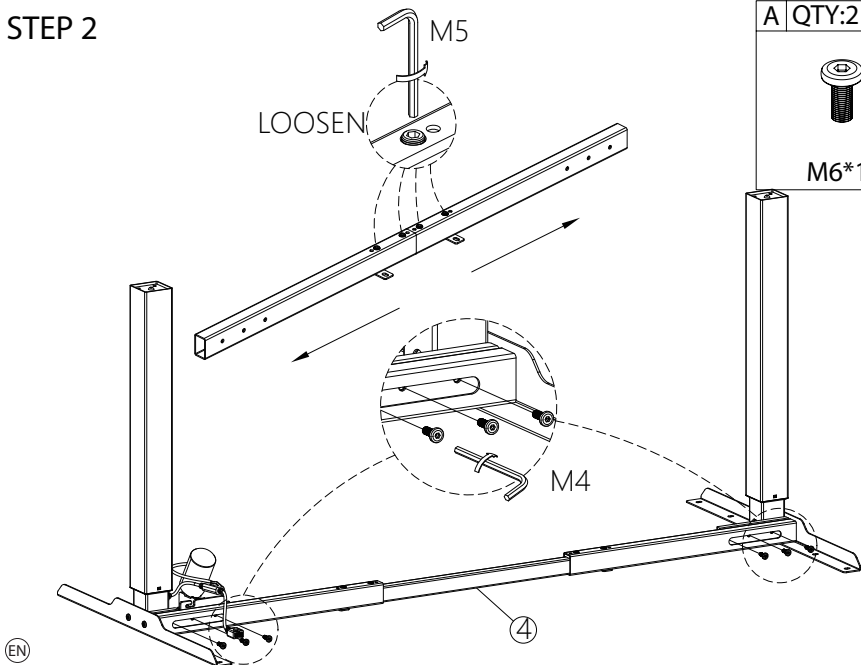
STEP 1

A	QTY:4
	
M6*12	



STEP 2

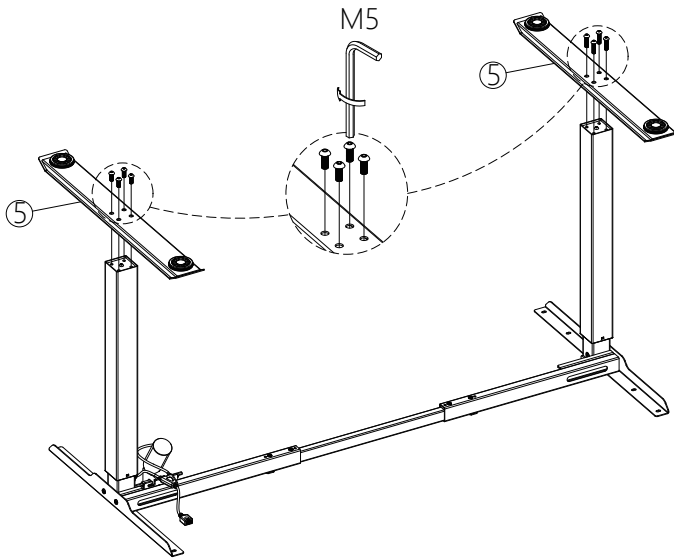
A	QTY:2
	
M6*12	



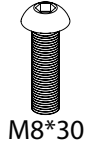
EN

INSTALLATION INSTRUCTION

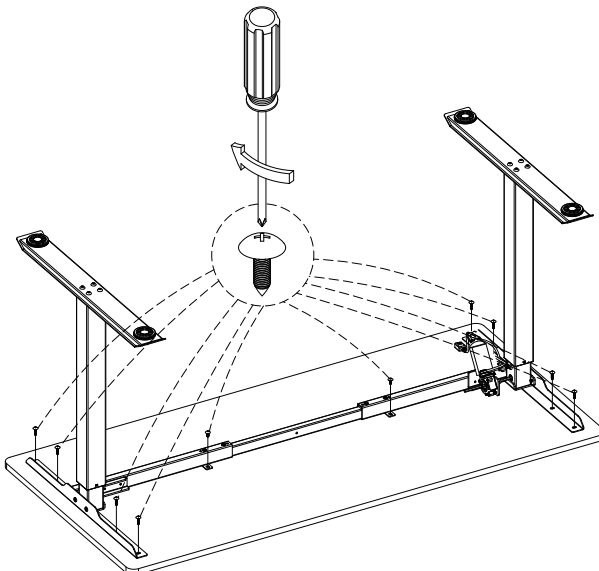
STEP 3



B QTY:8



STEP 4

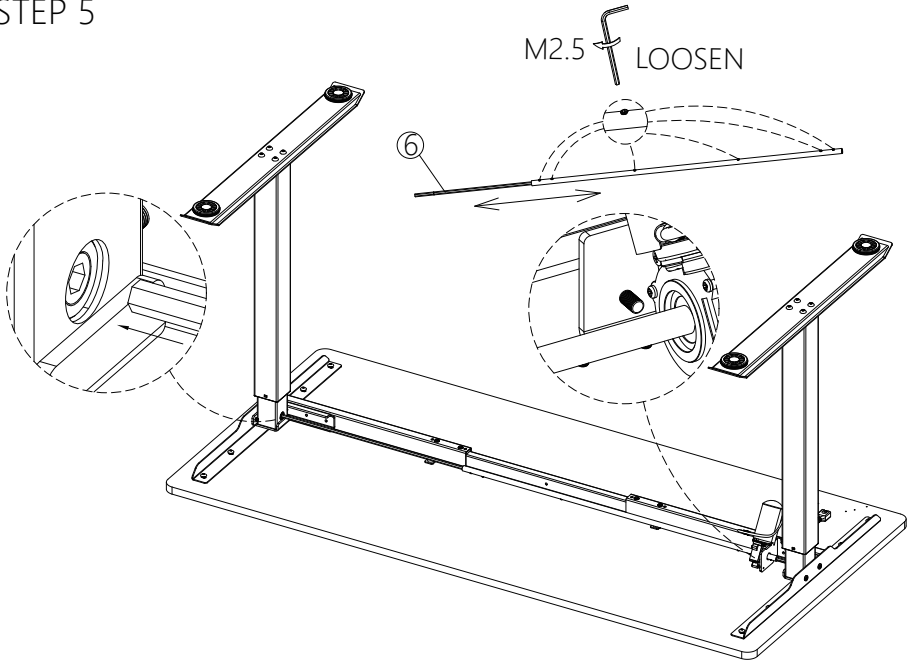


D QTY:10

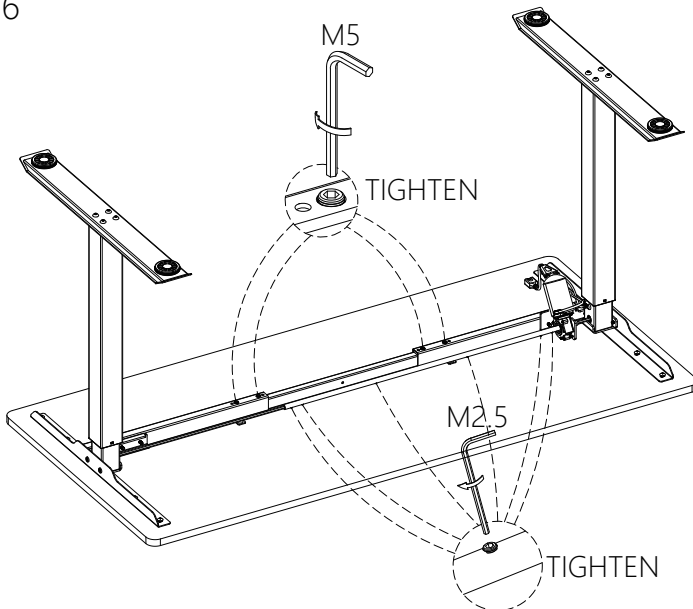


INSTALLATION INSTRUCTION

STEP 5




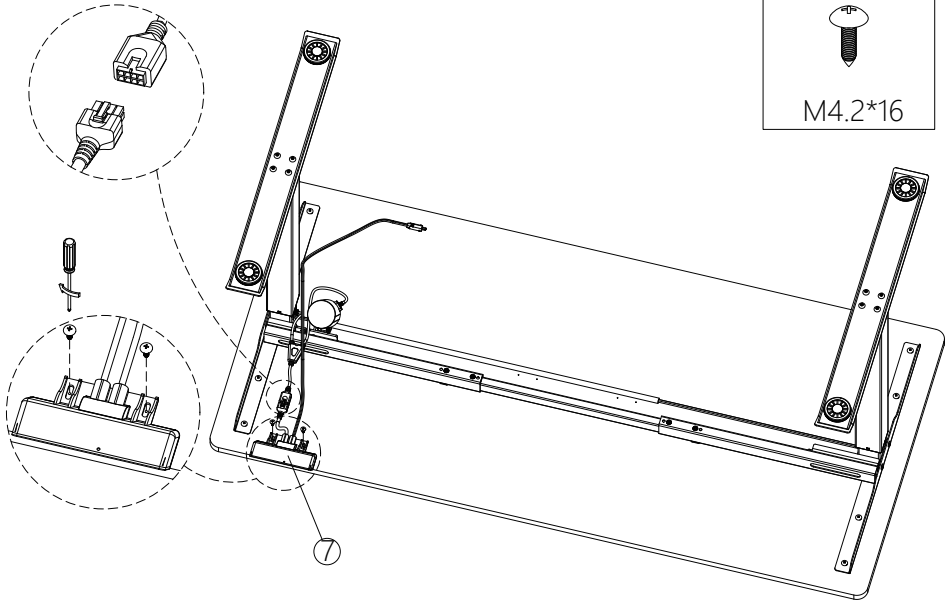
STEP 6



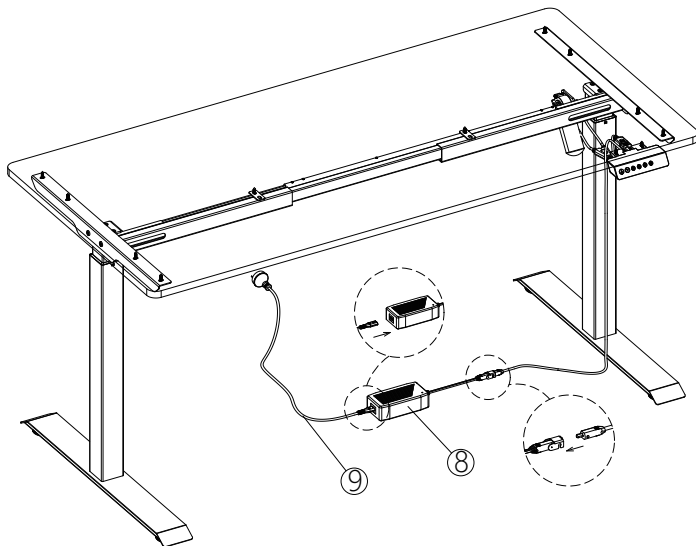
INSTALLATION INSTRUCTION

STEP 7

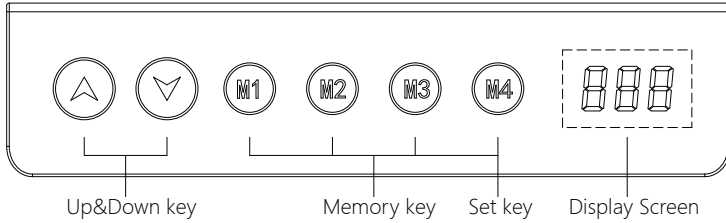
C QTY: 2

M4.2*16



STEP 8



DIRECTIONS FOR USE



The whole handset surface is a button panel. If there is no press within 30 seconds, the screen is locked and M1/M2/M3/M4 keys are locked correspondingly, you should press Up or Down key first, it can be used when the display screen light up.

■ Display Screen

Display the height value of the desk.

■ Up & Down Keys

Please keep pressing UP/DOWN key to adjust desk height until you get an optimum height.

■ Memory Key M1/M2/M3/M4

After setting memory keys, the desk can lift automatically to memory height.

※ How to set memory mode

Please keep touching M1/M2/M3/M4 key for 5 seconds, until "di" sound, the memory height is successfully saved. Then light touch M1/M2/M3/M4, the desk moves to memory height automatically.

■ Set Key(M4)

Press the "S" key when internal parameters need to be set.

■ Initialization

1. When "RST" is on the display screen, press the "▼" button until the desk frame reaches its lowest point. After hearing the "di" sound and desk frame rebounds, initialization is completed.

(PS. The button cannot be released during this operation, otherwise the initialization will fail)

2. Forced initialization: Press the "▼" button until the desk frame reaches its lowest point, then release the button and press it again for about 5 seconds until hear the "di" sound and desk frame rebound, and the initialization is completed.

3. Restore the factory settings: When new controller is changed or the parameters need to be restored to the factory settings, press the "▼" and "▲" buttons simultaneously, you will hear the first "di" sound after about 5 seconds and second "di" sound after 10 seconds. When the display screen shows "RST", please operate refer to the No.1 item.

■ Safety Function

When the desktop is on the rise or down, encountered reverse resistance, the desk will rebound.

■ Handset shows error code and solution

Error code	Fault cause	Solution
E01,E06,E07	power fault	change power
E04	handset fault	Unplug and replug the cable of hand set
E05	Anticollision alert	Rebound reminder , normal condition
E08	desktop sloping	check the desktop
E11	Connection cable failure	Check the connecting cable
E12	controller fault	Exchange the controller
E14~E17	motor fault	change motor
E18	overloading	reduce the loading
HOT	overtime operation	Automatic recovery after stop using for 20 minutes

EU Declaration of Conformity

1. Product model: 600602, 600702, 600802

2. Name and address of the manufacturer or his authorised representative:

Fridstiernan AB/SUN-FLEX
Logistikvägen 6
438 70 Landvetter, Sweden

3. This declaration of conformity is issued under the sole responsibility of the manufacturer.

4. Object of the declaration:

Equipment: Height adjustable desk frame
Brand name: SUN-FLEX
Model/type: 600602, 600702, 600802

5. The object of the declaration described above is in conformity with the relevant Union harmonization legislation:

Low Voltage Directive (LVD) 2014/35/EU
Electromagnetic Compatibility Directive (EMC) 2014/30/EU
Restriction of Hazardous Substances (RoHS) Directive 2011/65/EU

6. References to the relevant harmonised standards used or references to the other technical specifications in relations to which conformity is declared:

LVD: EN 60335-2-2012
EN 60335-2-7:2010

EMC: EN 55014-1:2006 + A1:2009 + A2:2011
EN 55014-2:1997 + A1:2001 + A2:2008

RoHS: EN 50581:2012

7. Signed for and on behalf of:

Landvetter 2022-10-27 Manufacturer

Fridstiernan AB/SUN-FLEX

Joakim Persson

SUN-FLEX



Logistikvägen 6, SE-438 70 Landvetter, Sweden
Tel: +46 322 127 00
info@sun-fl x.com
www.sun-fl x.com