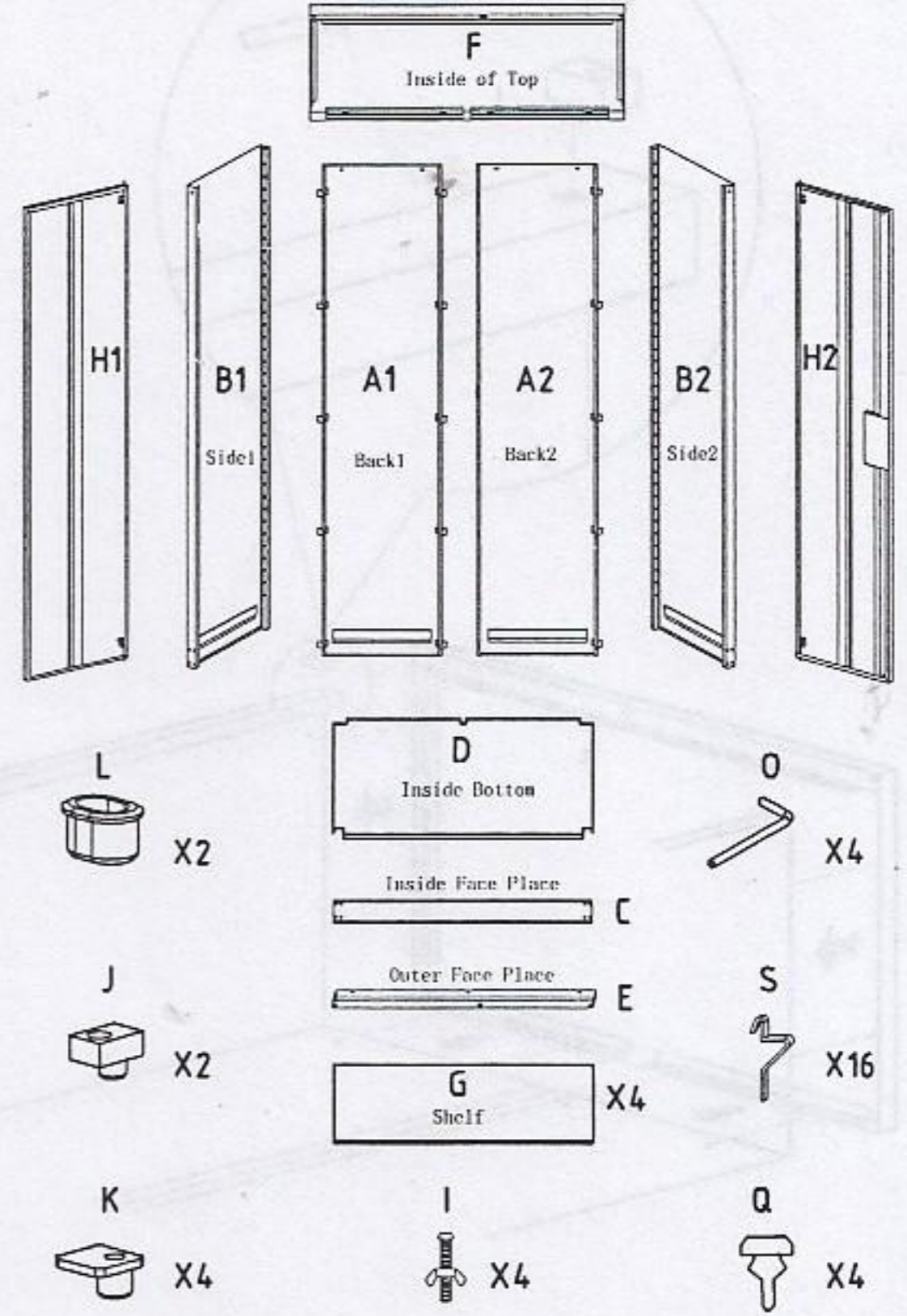


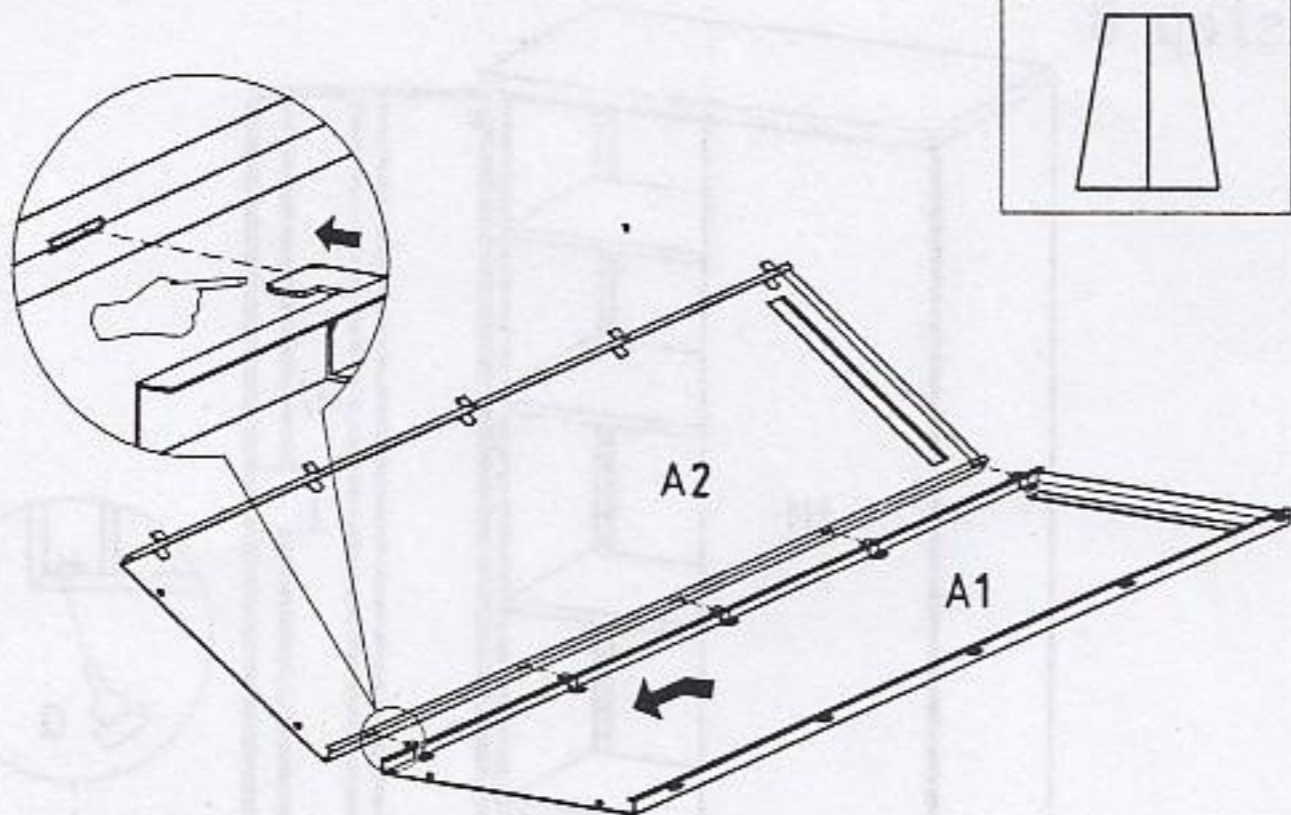
STORAGE CABINETS

Necessary tools for assembly:
a star screwdriver and a rubber hammer

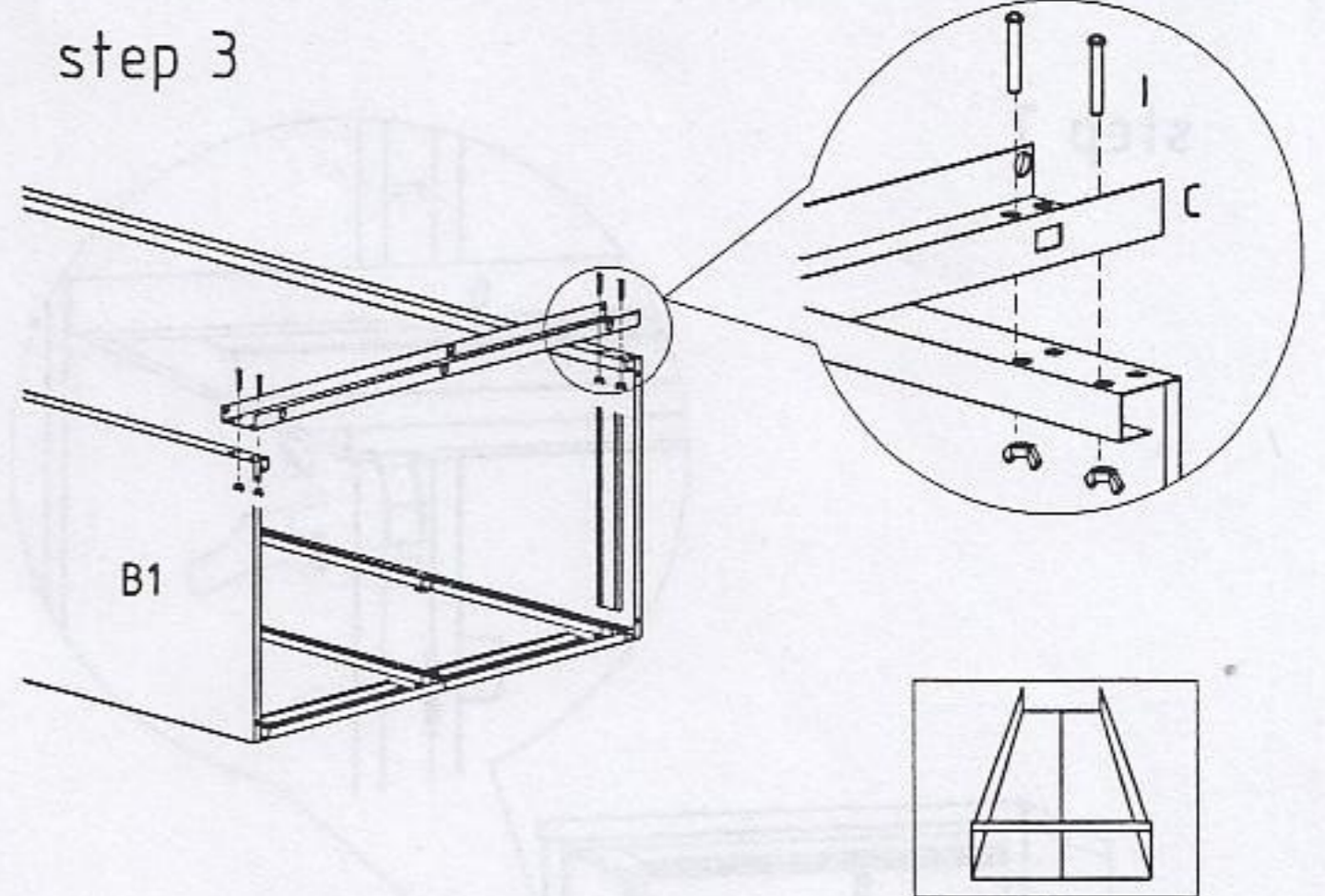
Your Package Should Contain:



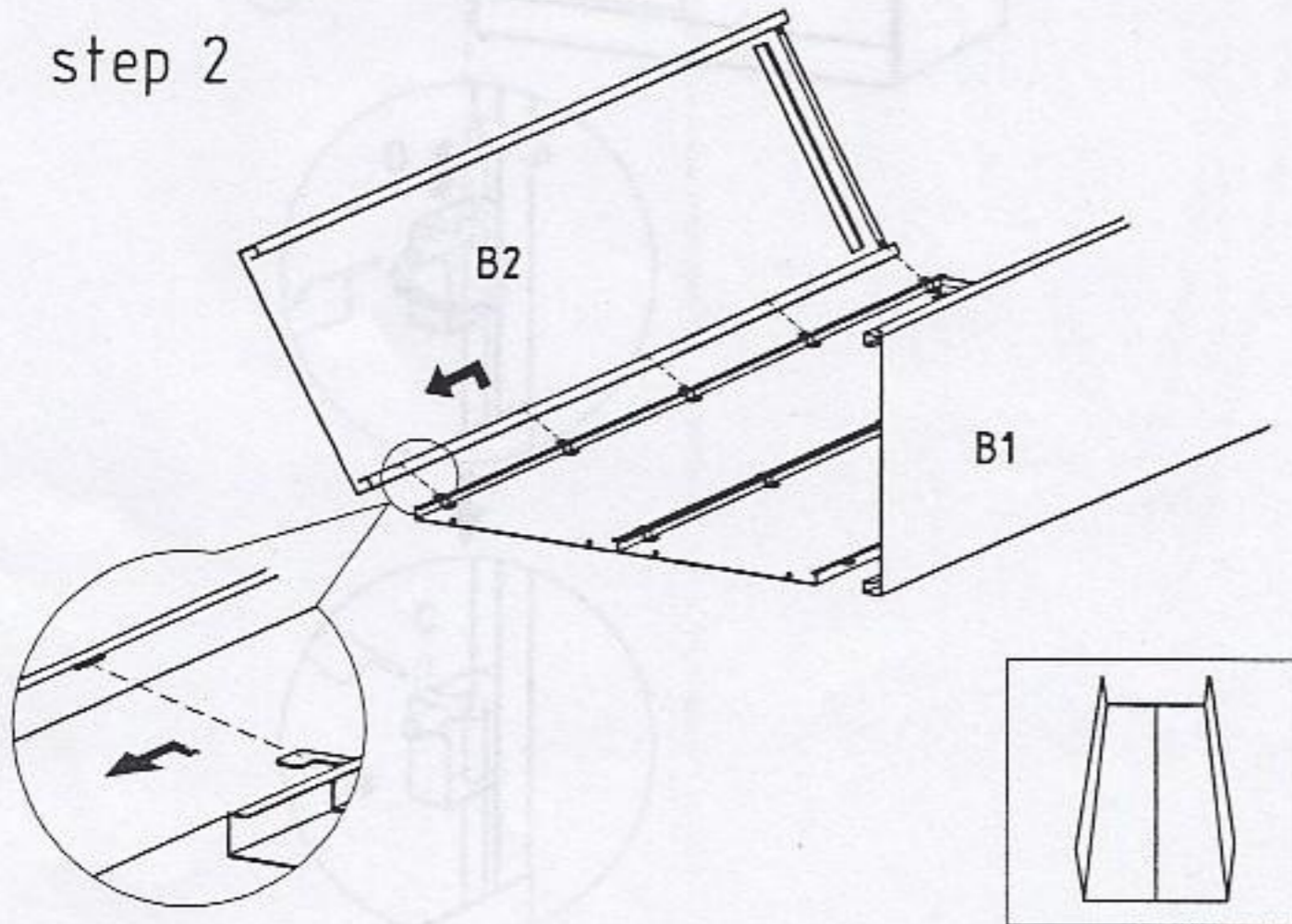
step 1



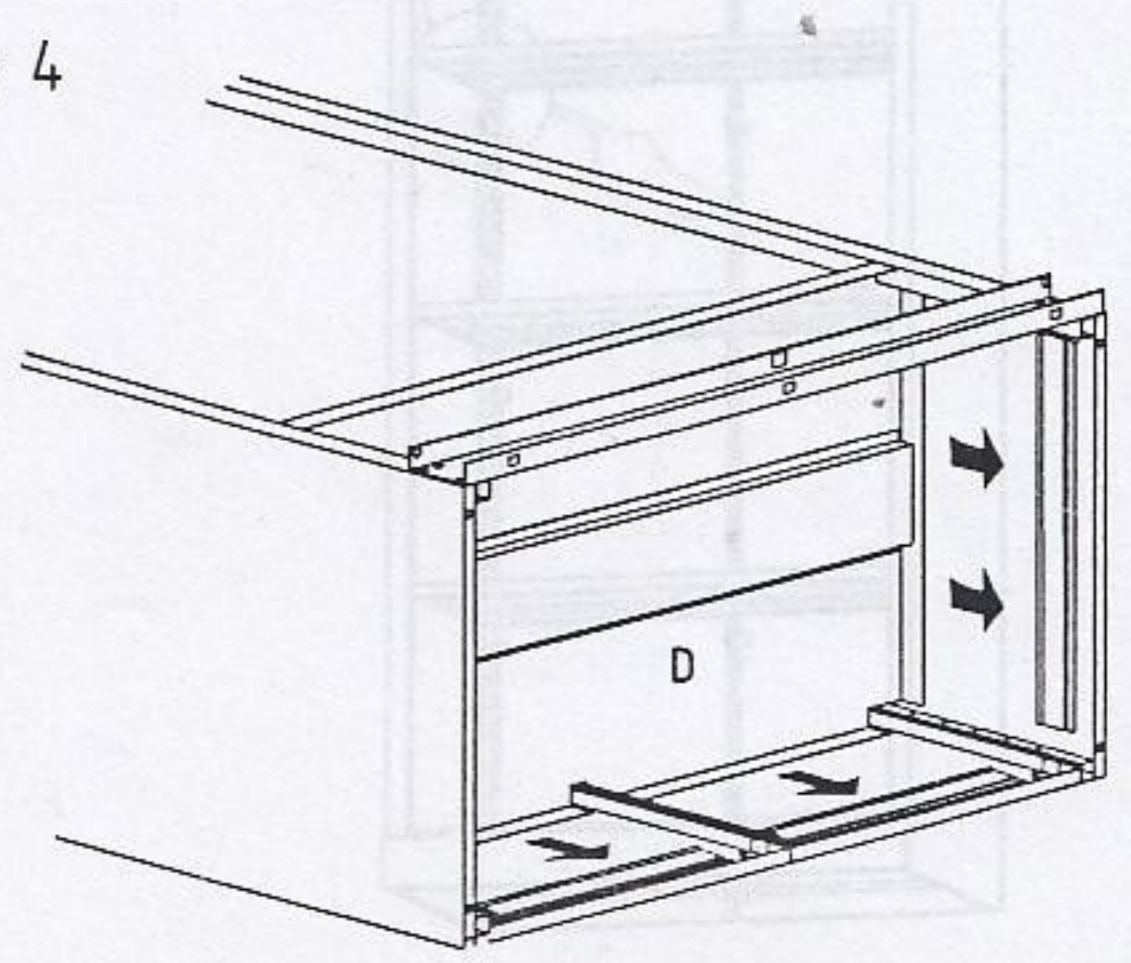
step 3



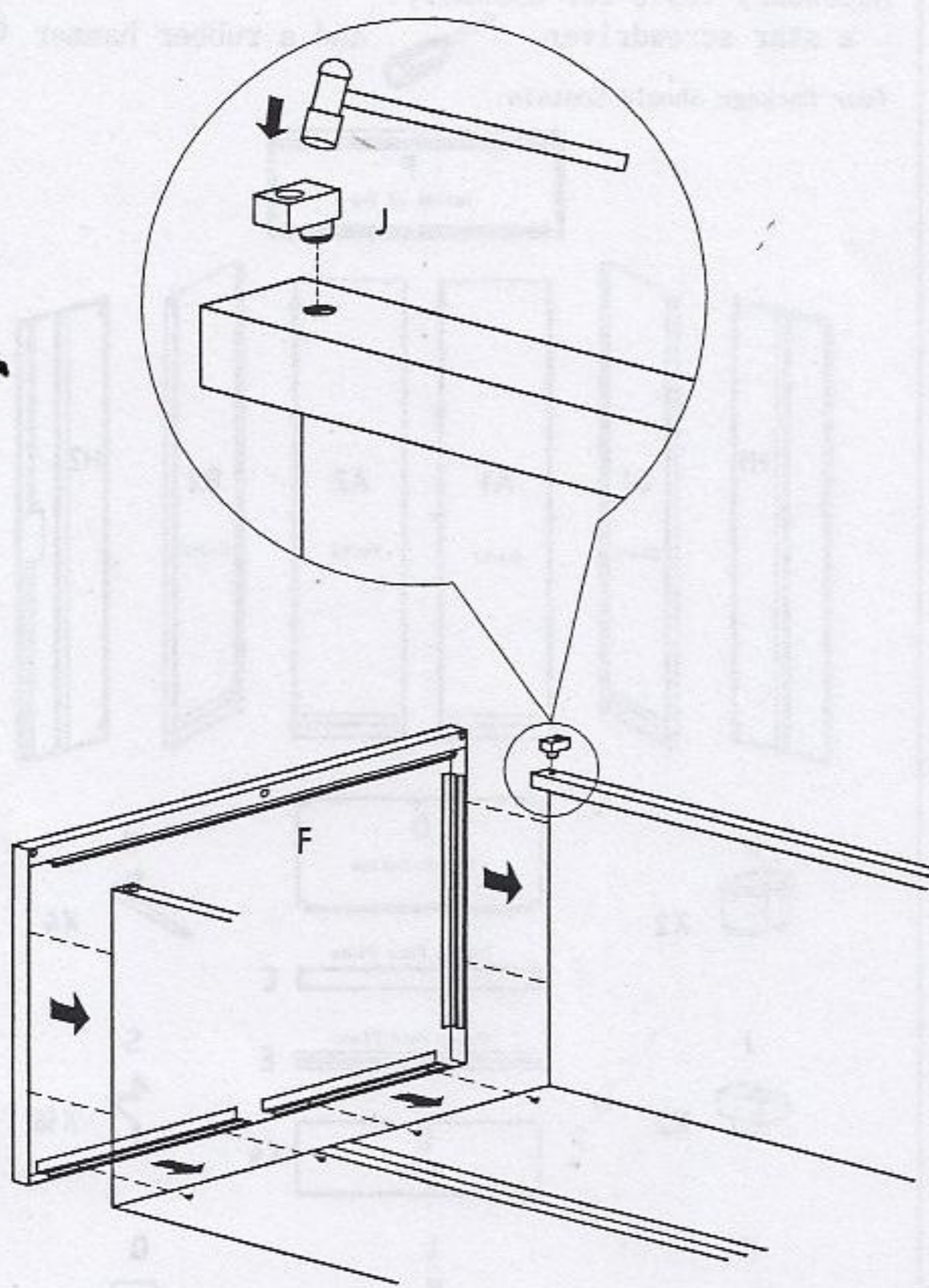
step 2



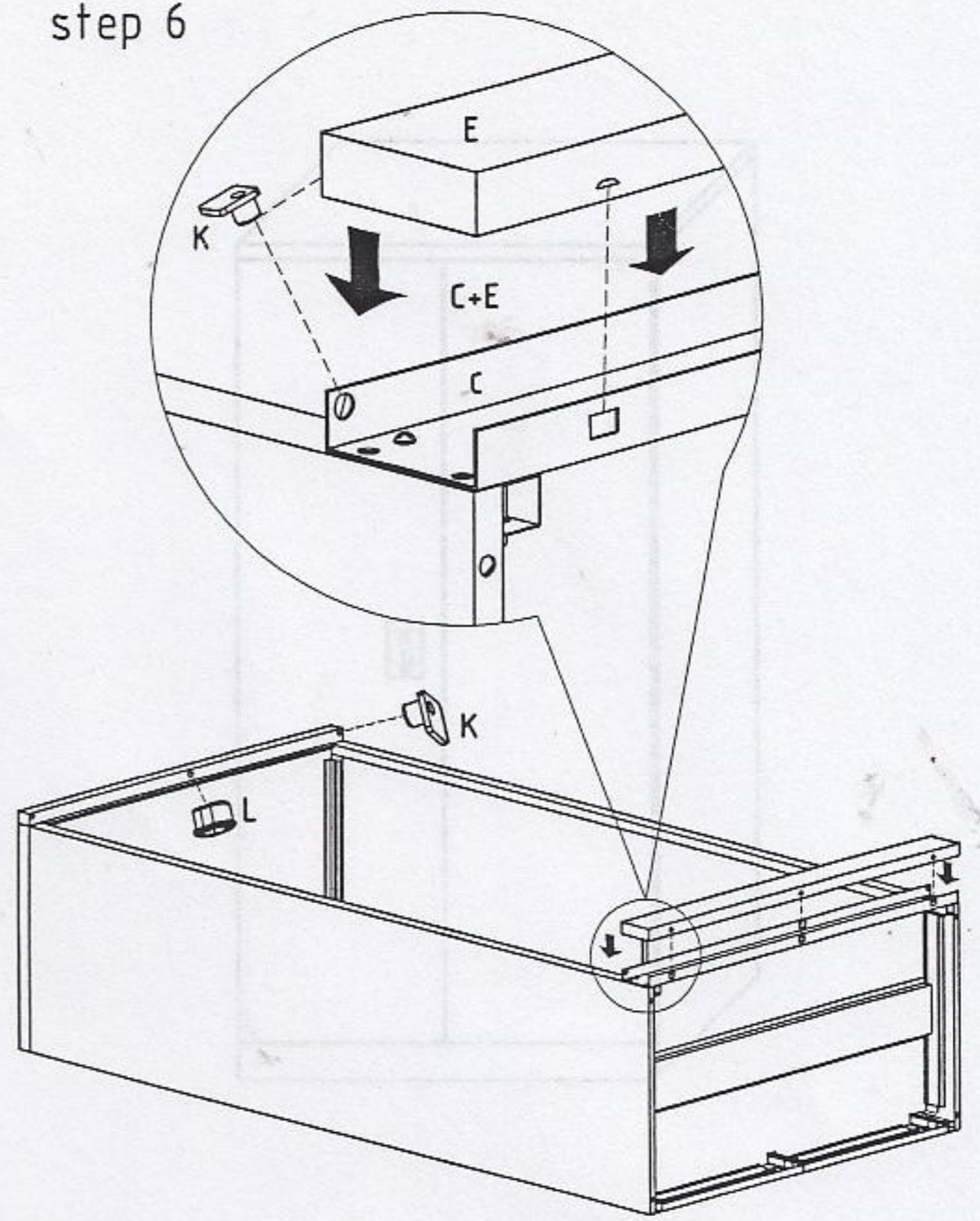
step 4



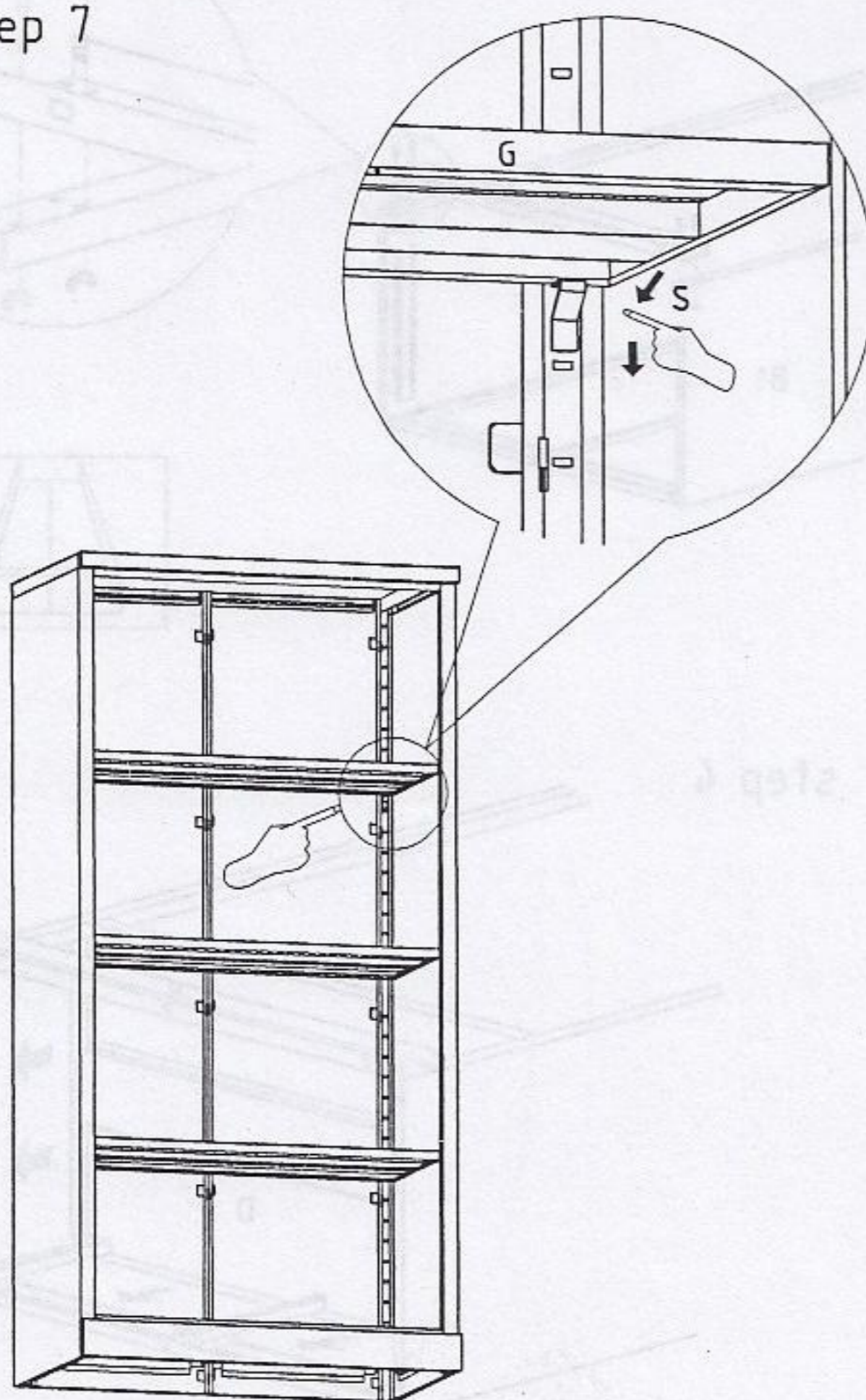
step 5



step 6



step 7



step 8

