

STORAGE CABINETS

Necessary tools for assembly:

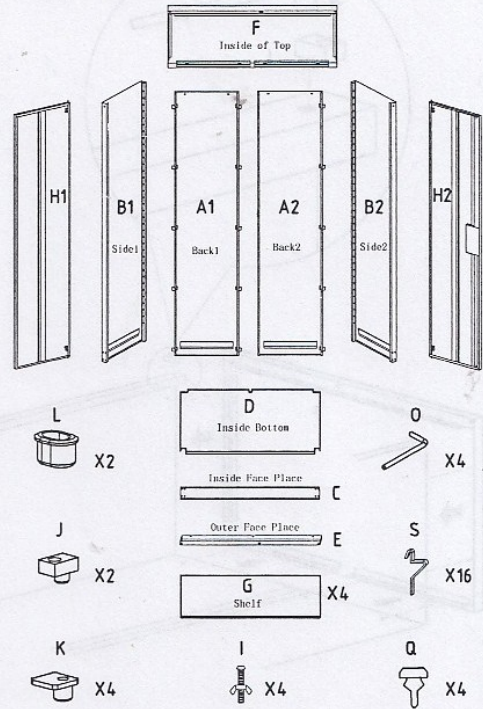
a star screwdriver,



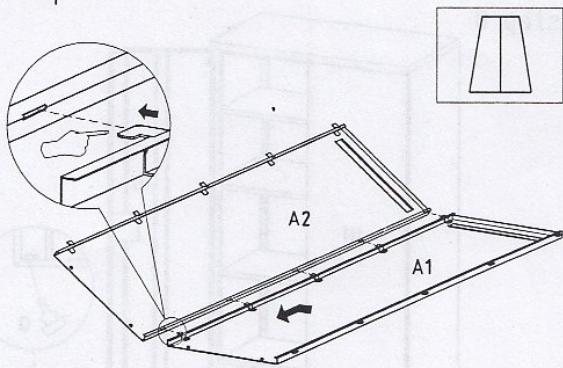
and a rubber hammer



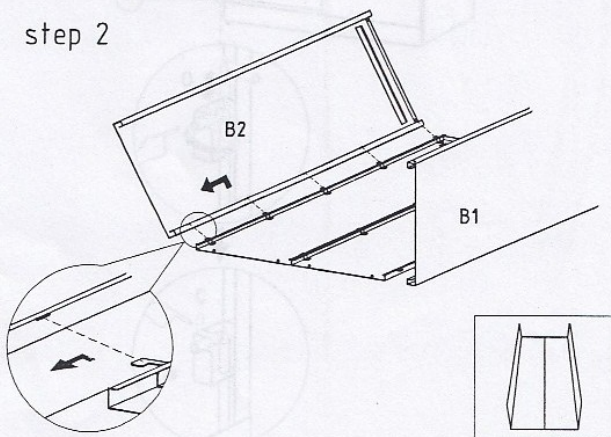
Your Package Should Contain:



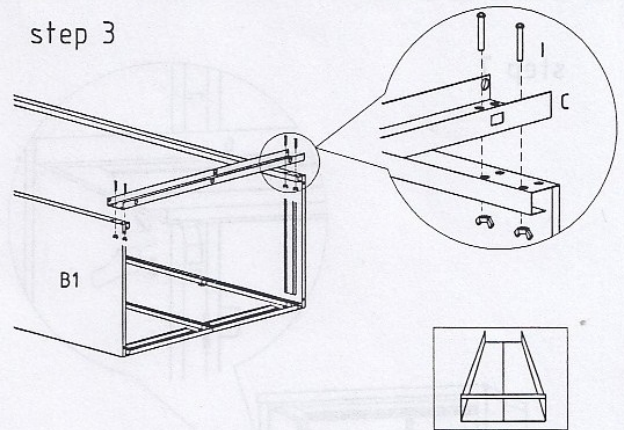
step 1



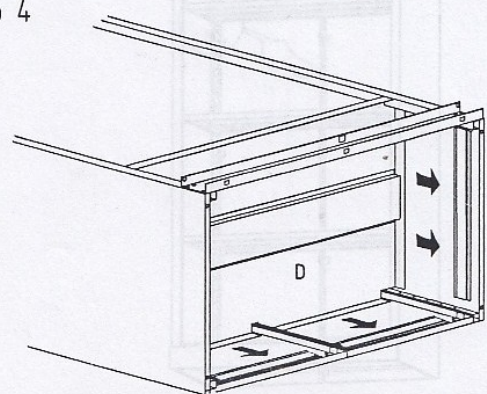
step 2



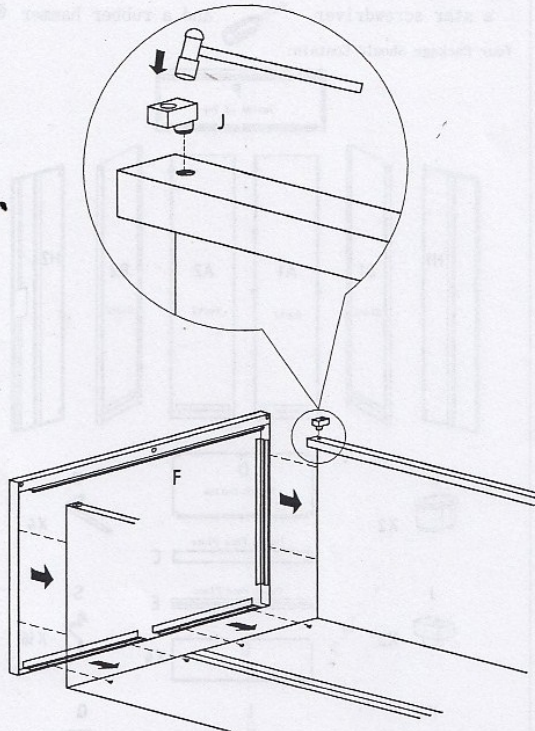
step 3



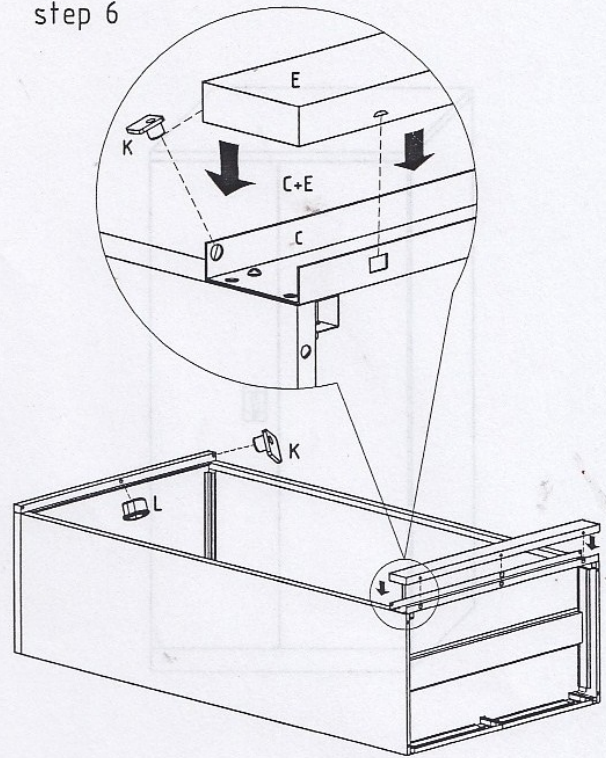
step 4



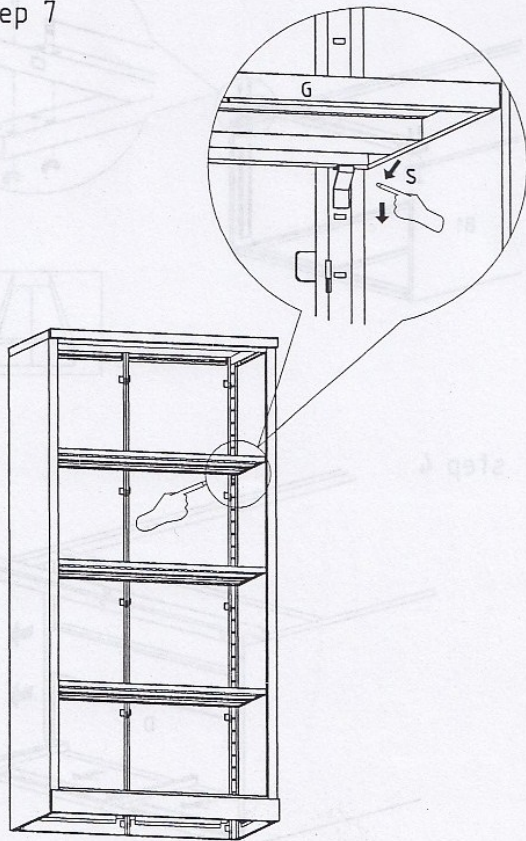
step 5



step 6



step 7



step 8

