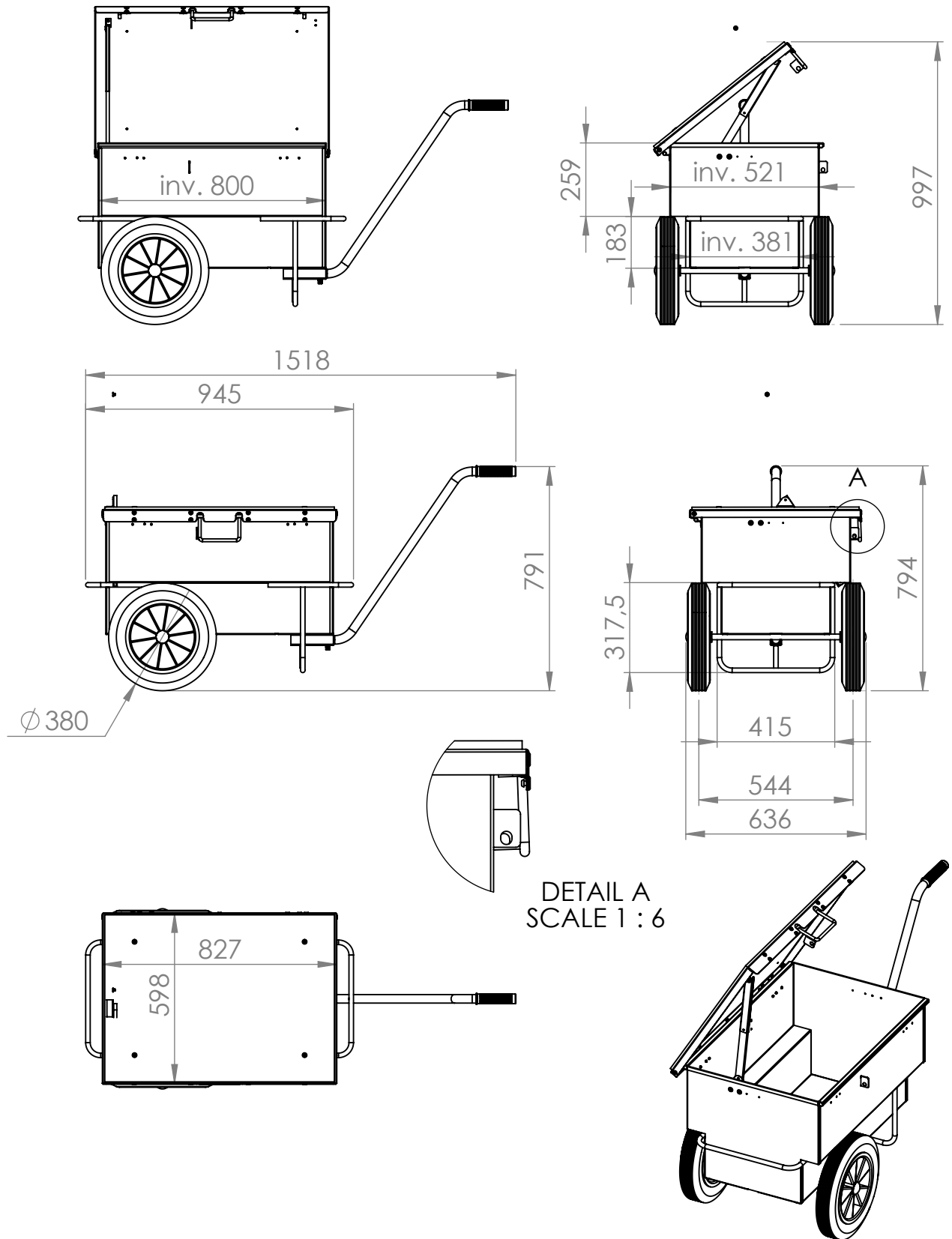


Nr/ Rev	Ändring/ Change	Datum/ Date	Godk av/ Appr. by
0	Ny ritningslayout.	2025-02-10	JB



This document must not be copied without our written permission, and the contents thereof must not be imparted to a third party nor be used for any unauthorized purpose. Contravention will be prosecuted.

Konstr./ Design.	Ritad Av/ Drawn by	Godk. Av/ Appr. By	Skala/ Scale	Vikt/Weight	Standard	Ersätter/ Replace	Ers. Av/ Repl. By	
JB	IT	JB	1:20	47.24	SS2768	0408-01059		
		Ägare/ Owner Kongamek AB Dång 2, 362 93 Tingsryd +46 (0)10-130 66 00 Org.nr. 556311-3678		Beskrivning/ Name Verktygsvagn 290 lit.				Datum/ Date 170515
		Artikel Nr./ Part No. KM9202		Ritn.nr./ Drawing no. 4-4990		Blad/ Page 1 (1)		Revision 0

State: Approved